

i (r) i s

(SERIAL NUMBER PREFIX CGT)

PARTS MANUAL

JANUARY 2014

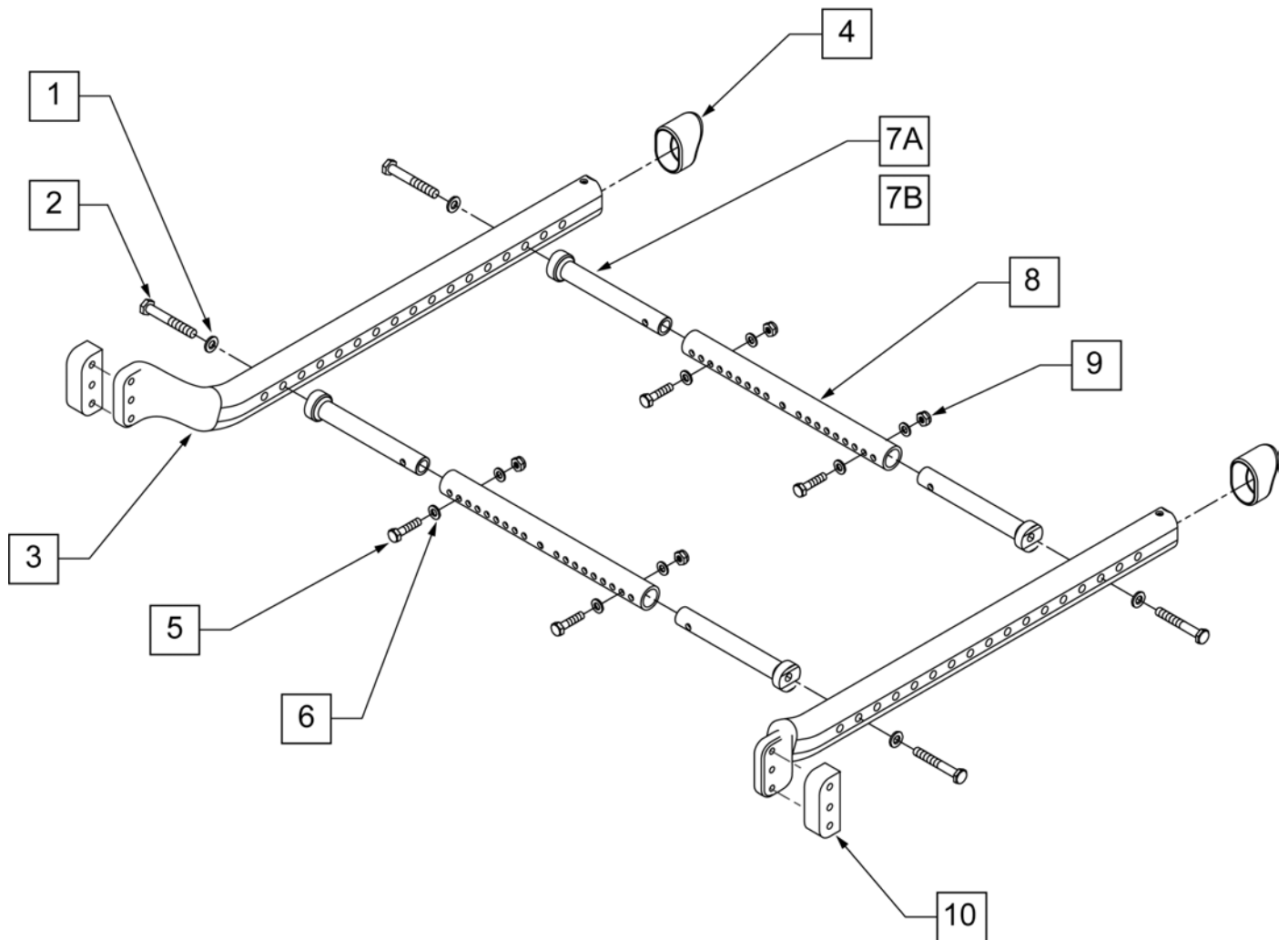
Cover	1
multimedia	1
QUICKIE IRIS (S/N PREFIX CGT)	6
BASE FRAME	6
FRAME	6
BASE FRAME (S/N Prefix CGT)	6
ANGLE INDICATOR (S/N Prefix CGT)	8
ROCKER ASSM (S/N Prefix CGT)	9
TILT STOPS (S/N Prefix CGT)	11
ROLLER ASSM (S/N Prefix CGT)	12
FOOT RELEASE QUICKIE IRIS	14
TRANSIT KIT QUICKIE IRIS	16
TILT CABLES	16
TILT HANDLE & CABLE-STROLLER HANDLE & RECLINING BACKREST (S/N Prefix CGT)	17
TILT HANDLE & CABLE FOR HGT ADJ BACKREST (S/N Prefix CGT)	18
AXLE PLATES & AXLES	18
QUICK RELEASE AXLES MATRIX	19
AXLE BRACKET (S/N Prefix CGT)	20
THREADED AXLES & BRKT (MAG & SPOKE) (S/N Prefix CGT)	21
AXLE BRACKET-DISC. (S/N Prefix CGT)	23
THREADED AXLES (MAG & SPOKE)-DISC. (S/N Prefix CGT)	24
ONE-ARM DRIVE (S/N Prefix CGT)	25
CASTERS & FORKS	26
FORK STEM & CASTER ASSM QUICKIE IRIS ONLY (S/N Prefix CGT)	27
3 SPOKE CASTERS	29
8" x 2" CASTERS	31
ANTI-TIPS	31
REAR ANTI-TIP GUIDE (S/N Prefix CGT)	32
REAR ANTI-TIPS (S/N Prefix CGT)	33
FRONT ANTI-TIPS (S/N Prefix CGT)	35
WHEEL LOCKS	35
WHEEL LOCK ASSM (S/N Prefix CGT)	36
ATTENDANT WHEEL LOCK (S/N Prefix CGT)	38
WHEELS & TIRES	39
WHEELS	39
12" MAG	40
16" MAG	41
MAG	42
QUICKIE SPOKE	44
LITE SPOKE	45
TIRES	45
PNEUMATIC & PNEU. AIRLESS TIRE	46
FULL POLY TIRE	47
LOW POLY TIRE	48
KEVLAR TIRE	49
TUBES	49
TUBES AND AIRLESS INSERTS	50
SEATING & POSITIONING	51
SEAT	51
SEAT PAN (S/N Prefix CGT)	52
DROP SEAT PAN (S/N Prefix CGT)	54
BACK	55
TILT CABLES	55
TILT HANDLE & CABLE-STROLLER HANDLE & RECLINING BACKREST (S/N Prefix CGT)	56
TILT HANDLE & CABLE FOR HGT ADJ BACKREST (S/N Prefix CGT)	57
STROLLER HANDLE BACK POSTS (S/N Prefix CGT)	58
HGT ADJ BACKREST W/ ADJ STROLLER HANDLE (S/N Prefix CGT)	61
RECLINING BACKREST (S/N Prefix CGT)	63
BACK REPLACEMENT BOLT KIT	65
STROLLER HANDLE EXTENSION-REMOVABLE	66
HANGERS & FOOTRESTS	67
SWING AWAY EXT MOUNT HANGERS	67
60 DEG S/A HANGER	68
70 DEG S/A HANGER	70
70 DEG V S/A HANGER	71
EXTENSION TUBES	72
DOUBLE D FOOTREST EXTENSION TUBE "OLD STYLE"	73
HIGH MOUNT EXTENSION TUBE	75
FOOTPLATES	75
ADULT ANGLE-ADJUSTABLE FOOTPLATE EXT MOUNT	76

KIDS ANGLE ADJUSTABLE FOOTPLATE EXT MOUNT	78
LOCKING ANGLE ADJUSTABLE FOOTPLATE.....	80
PLATFORM FLIP-UP FOOTPLATE.....	82
COMPOSITE FOOTPLATE.....	84
FRONT MOUNT HANGERS	85
SWING AWAY FRONT MOUNT HANGERS	85
70 DEG S/A FRONT MOUNT HANGER.....	86
80 DEG S/A FRONT MOUNT HANGER.....	88
90 DEG S/A FRONT MOUNT HANGER.....	89
LIFT OFF FRONT MOUNT HANGERS.....	89
70 DEG LIFT-OFF HANGER.....	90
80 DEG LIFT-OFF HANGER.....	91
90 DEG LIFT-OFF HANGER.....	92
FOOTPLATES.....	92
KIDS ANGLE ADJ FOOTPLATE FRONT MOUNT	93
ADULT ANGLE-ADJ FOOTPLATE FRONT MOUNT.....	95
EXTENSION TUBES.....	96
FRONT MOUNT HANGER EXT.....	97
ELRS	97
EXT MOUNT ELR HANGERS.....	97
EXT MOUNT ELR HANGERS.....	97
ELEVATING HANGER.....	98
ELEVATING HANGER CALF PAD 14 -15".....	100
ELEVATING HANGER CALF PAD 16-20".....	101
EXTENSION TUBES.....	101
DOUBLE D FOOTREST EXTENSION TUBE "OLD STYLE".....	102
FOOTPLATES.....	103
ELR ALUMINUM FOOTPLATE.....	104
ADULT ANGLE-ADJUSTABLE FOOTPLATE EXT MOUNT.....	105
KIDS ANGLE ADJUSTABLE FOOTPLATE EXT MOUNT	107
FRONT MOUNT ELR HANGERS	108
FRONT MOUNT ELR HANGERS.....	108
90 DEG ELEVATING HANGER.....	109
90 DEG ELEVATING CALF PAD.....	111
FOOTPLATES.....	111
KIDS ANGLE ADJ FOOTPLATE FRONT MOUNT	112
ADULT ANGLE-ADJ FOOTPLATE FRONT MOUNT.....	114
ALRS	115
EXT MOUNT ALR HANGERS.....	115
EXT MOUNT ALR HANGERS.....	115
ARTICULATING HANGER.....	116
ARTICULATING HANGER CALF PAD	118
EXTENSION TUBES.....	118
ROUND EXTENSION TUBE.....	119
FOOTPLATES.....	120
ADULT ANGLE-ADJUSTABLE FOOTPLATE EXT MOUNT.....	121
KIDS ANGLE ADJUSTABLE FOOTPLATE EXT MOUNT	123
FRONT MOUNT ALR HANGERS	124
FRONT MOUNT ALR HANGERS.....	124
90 DEG ARTICULATING HANGER.....	125
90 DEG ARTICULATING HANGER CALF PAD	127
FOOTPLATES.....	127
KIDS ANGLE ADJ FOOTPLATE FRONT MOUNT	128
ADULT ANGLE-ADJ FOOTPLATE FRONT MOUNT.....	130
CONTRACTURE FOOTREST	131
CONTRACTURE FOOTREST	132
MULTI-POSITION LATCH STUD SUPPORT	135
ARMRESTS & RECEIVERS	135
SINGLE POST ARMRESTS.....	135
SINGLE POST HEIGHT ADJUSTABLE ARMREST	136
DUAL POST ARMRESTS & RECEIVERS.....	137
DUAL POST ARMREST & RECEIVER.....	138
DUAL POST HGT ADJ ARMREST & RECEIVER	140
FLIP-UP ARMRESTS.....	141
LENGTH ADJUSTABLE LOCKING FLIP-UP ARMREST	142
ADJUSTABLE LOCKING FLIP-UP ARMREST.....	144
RECEIVERS.....	146
ADULT SINGLE POST ARMREST RECEIVER.....	146
KIDS SINGLE POST ARMREST RECEIVER	148
ACCESSORIES	148

TRAYS	148
TUFFAK TRAY (MANUAL & PEDIATRIC CHAIRS)	149
PADDED STOMACH CUTOUT.....	151
PROTRACTOR PAD.....	152
HINGED OVERLAY NON-REMOVABLE	153
HINGED OVERLAY REMOVABLE	154
TRAY RIBS TUFFAK.....	155
VENT & BATTERY TRAY (S/N Prefix CGT)	156
ONE-ARM DRIVE (S/N Prefix CGT)	158
BACKPACKS AND POUCHES	159
BACKPACKS AND SEAT POUCHES.....	160
CASE LOGIC BAGS.....	161
CELL PHONE PACK.....	162
PLASTIC SIDE GUARD	163
ANGLE ADJ IV POLE	164
IMPACT GUARD NEOPRENE & GEL VELCRO PADS.....	165
OXYGEN TANK HOLDER.....	166
AUTO BUCKLE POSITIONING BELTS	167
SOFT FEEL LEG STRAP	168
ADJUSTABLE LEG STRAP	169
QUICKIE CADDY	170
SPOKE GUARDS.....	171
TIRE PUMP	173

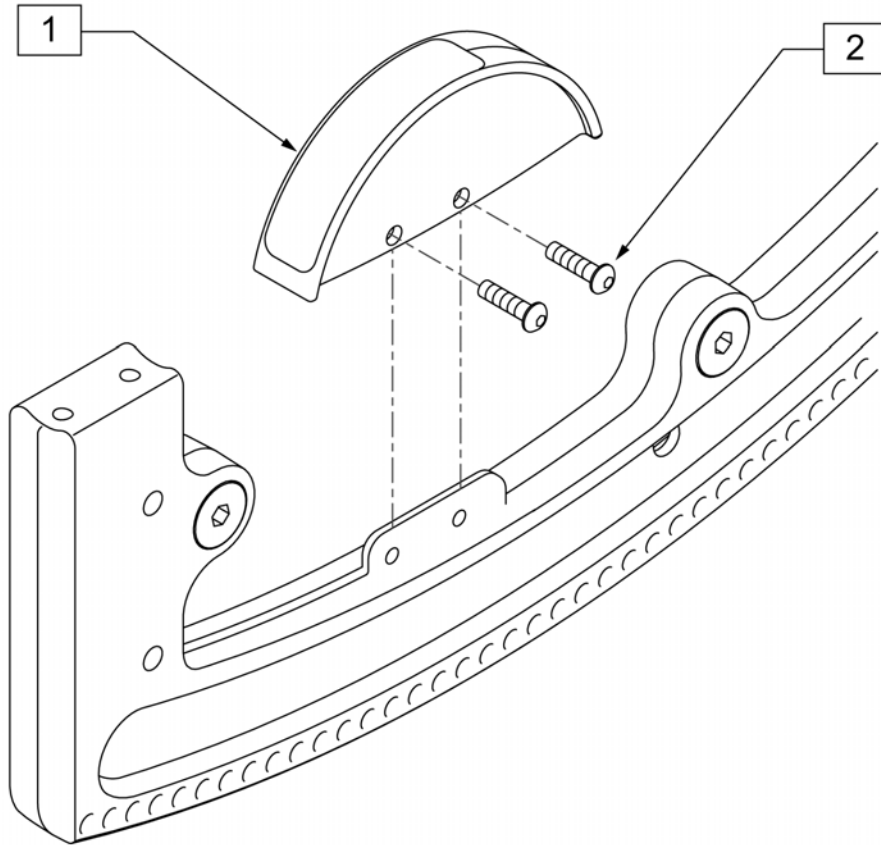
NOTE: STANDARD BASE FRAME INCLUDES 2 CROSS STRUTS AND HEAVY DUTY INCLUDES 3 CROSS STRUTS.

NOTE: FITS CHAIRS W/ SERIAL NUMBER PREFIX CGT ONLY.



Pos.	Item Number	Description	Remarks
1	263100	5/16 AN WASHER FLAT	
2	222118	5/16 -24 x 1 3/4 HEX C/S G8	
3	545666S	WELDMOUNT BASE FRAME CGTS	RIGHT
3	545667S	WELDMOUNT BASE FRAME CGTS	LEFT
4	561195	END CAP 1.73 D-CELL EXTRUSION	
5	106972	1/4 -28 x 1 1/2 G8 HEX C/S	
6	106943	1/4" AN WASHER FLAT	
7A	483298	INSERT CROSS STRUT BASE	
7B	483304	INSERT CRS STR BASE A.W.L.	Used w/ Attendant Wheel Lock & HD Chair
8	520704	TUBE CROSS STRUT	
9	106934	1/4 -28 NYLOCK NUT	
10	050526	BLOCK SPACER CASTER	ABDUCTION FRAME SPACER
1, 2, 5-7A,8,9	675100	FRAME STRUT W/ HARDWARE IRIS	
1, 2, 5-7B,8,9	675101	BASE FRM STRUT W/HDWR ATND WLK	Used w/ Attendant Wheel Lock & HD Chair
1-7A,8,9	662723S	BASE FRAME ASSM STANDARD IRIS	
1-7B,8,9	662724S	BASE FRAME ASSM HD IRIS	Used w/ Attendant Wheel Lock & HD Chair

NOTE: FITS CHAIRS W/ SERIAL NUMBER PREFIX CGT ONLY.

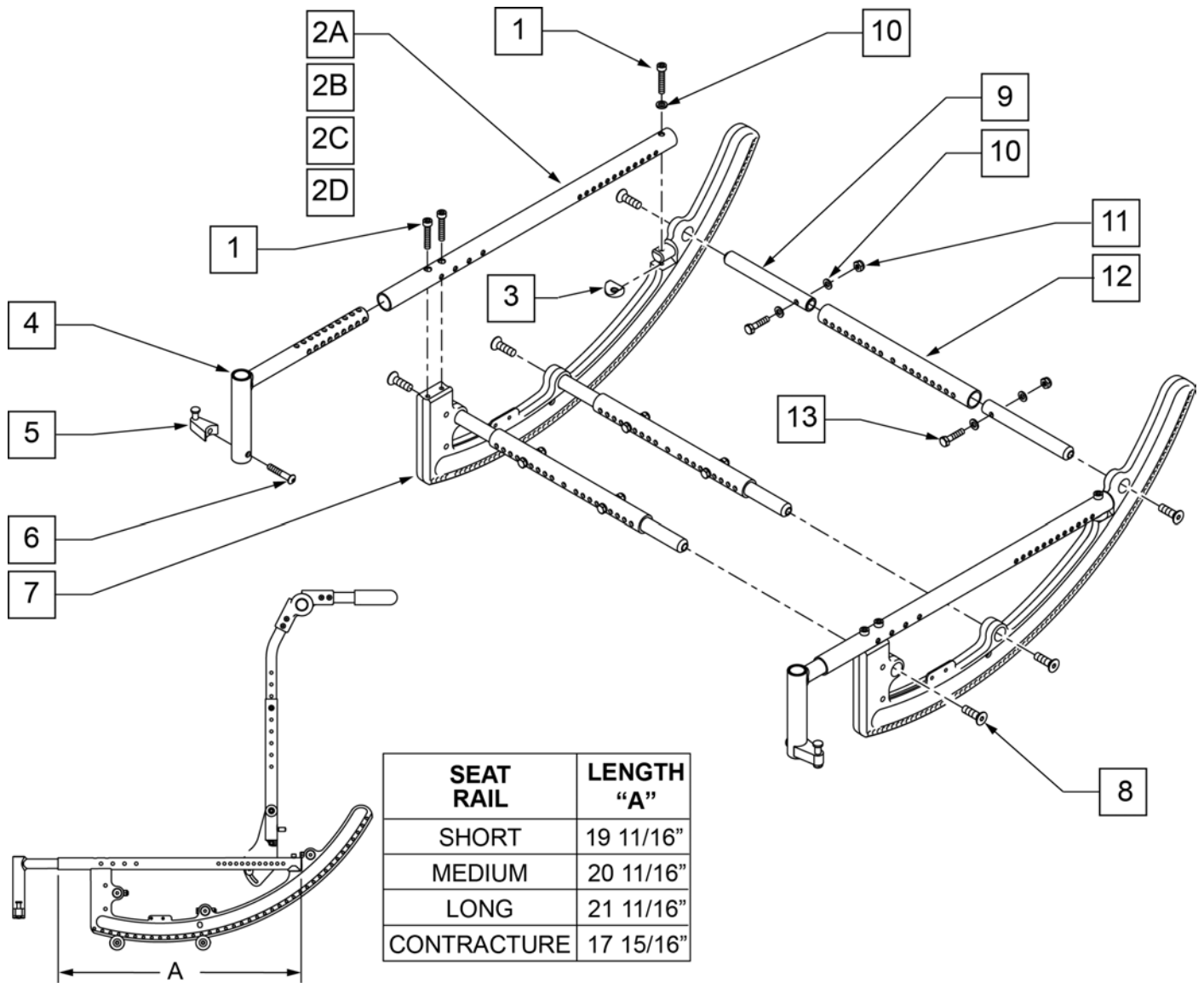


Pos.	Item Number	Description
1	882346	ANGLE INDICATOR W/ STICKERS
2	226043	10-32 x 1/2 BH C/S BLK
3	920562	ANGLE INDICATOR W/ HARDWARE

NOTE: TO DETERMINE CORRECT SEAT RAIL LENGTH WHEN ALTERING CHAIR DIMENSIONS, PLEASE CONTACT CUSTOMER SERVICE.

NOTE: * WHEN SWITCHING FROM CONTRACTURE FOOTREST TO OTHER FOOTREST, OR IF RETRO-FITTING CONTRACTURE FOOTREST TO EXISTING CHAIR, APPROPRIATE NEW SEAT RAILS (AS LISTED BELOW) MUST BE ORDERED.

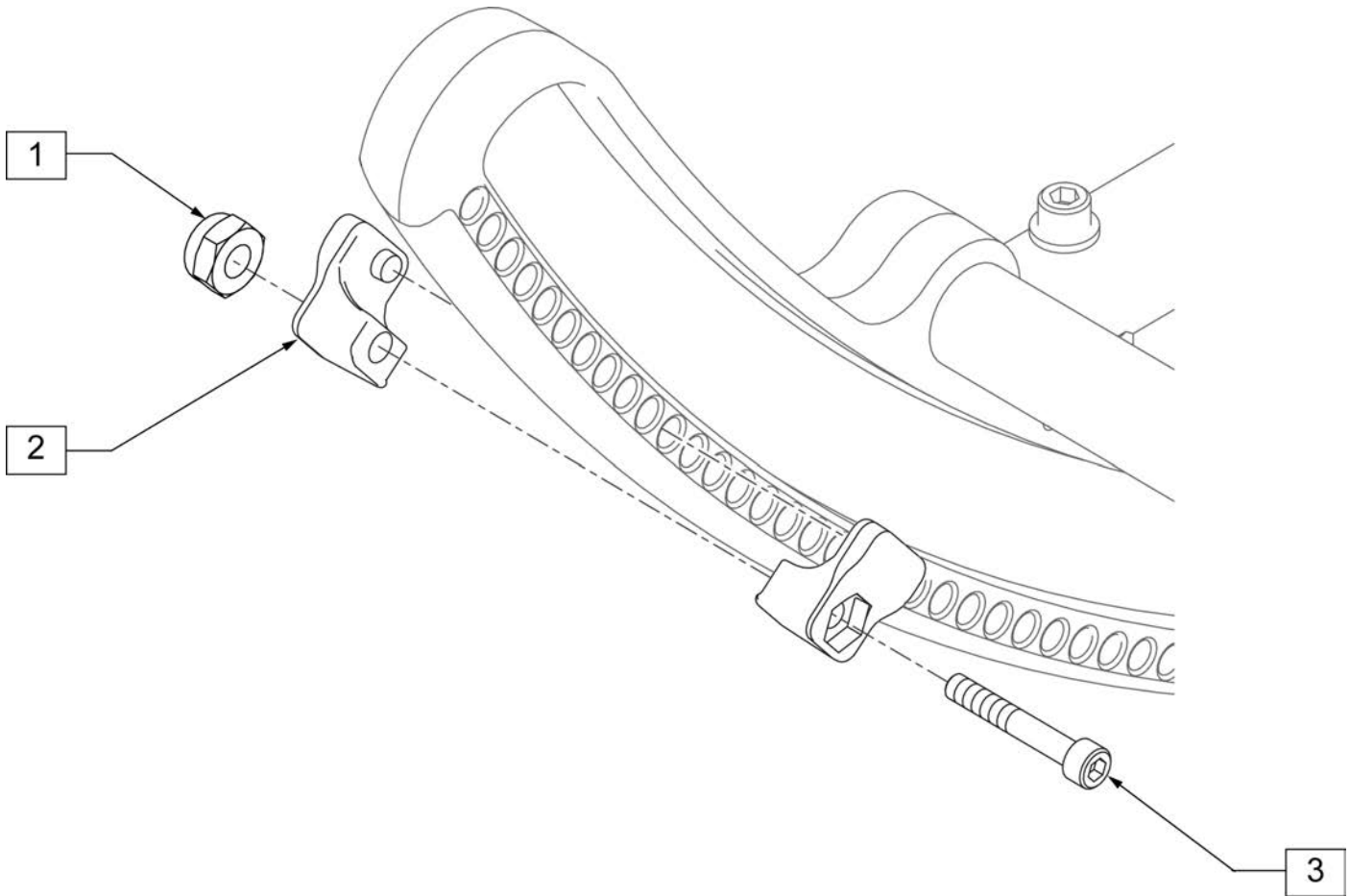
NOTE: FITS CHAIRS W/ SERIAL NUMBER PREFIX CGT ONLY.



Pos.	Item Number	Description	Remarks
1	226114	1/4 -28 x 1 1/2 SOC C/S BLK	

Pos.	Item Number	Description	Remarks
2A	520235S	SEAT RAIL CGTS SHORT	
2B	520232S	SEAT RAIL CGTS MED	
2C	520233S	SEAT RAIL CGTS LONG	
2D	520234S	SEAT RAIL CGTS CONTRACTURE	
3	561004	1 SADDLE 1/4 HOLE	
4	542126	WELDMENT SUPPORT HANGER 5.54 LG	
6	106982	BHCS 5/16-18 X 1-3/4 SHLD ROHS	
7	500685	FRAME SIDE ROCKER	
8	220087	3/8 -24 x 1 1/2 FH C/S BLK ZN	
9	483297	INSERT CROSS STRUT ROCKER	
10	106943	1/4 AN WASHER FLAT	
11	106934	1/4 -28 NYLOCK NUT	
12	520704	TUBE CROSS STRUT FRAME 1.00 OD x 10.10	
13	106972	1/4 -28 x 1 1/2 G8 HEX C/S	
5,6	107491	LATCH STUD KIT	
1,4,5,6	640205	SUPPORT HANGER ASSM IRIS	
8-13	675110	ROCKER STRUT W/ HDWR IRIS	
1,2A,3-15	650130S	ROCKER ASSM IRIS -SHORT	Kit includes 2 Seat Tubes, 2 Rockers & 3 Struts
1, 2B, 3-13	650131S	ROCKER ASSM IRIS -MEDIUM	Kit includes 2 Seat Tubes, 2 Rockers & 3 Struts
1, 2C, 3-13	650132S	ROCKER ASSM IRIS -LONG	Kit includes 2 Seat Tubes, 2 Rockers & 3 Struts

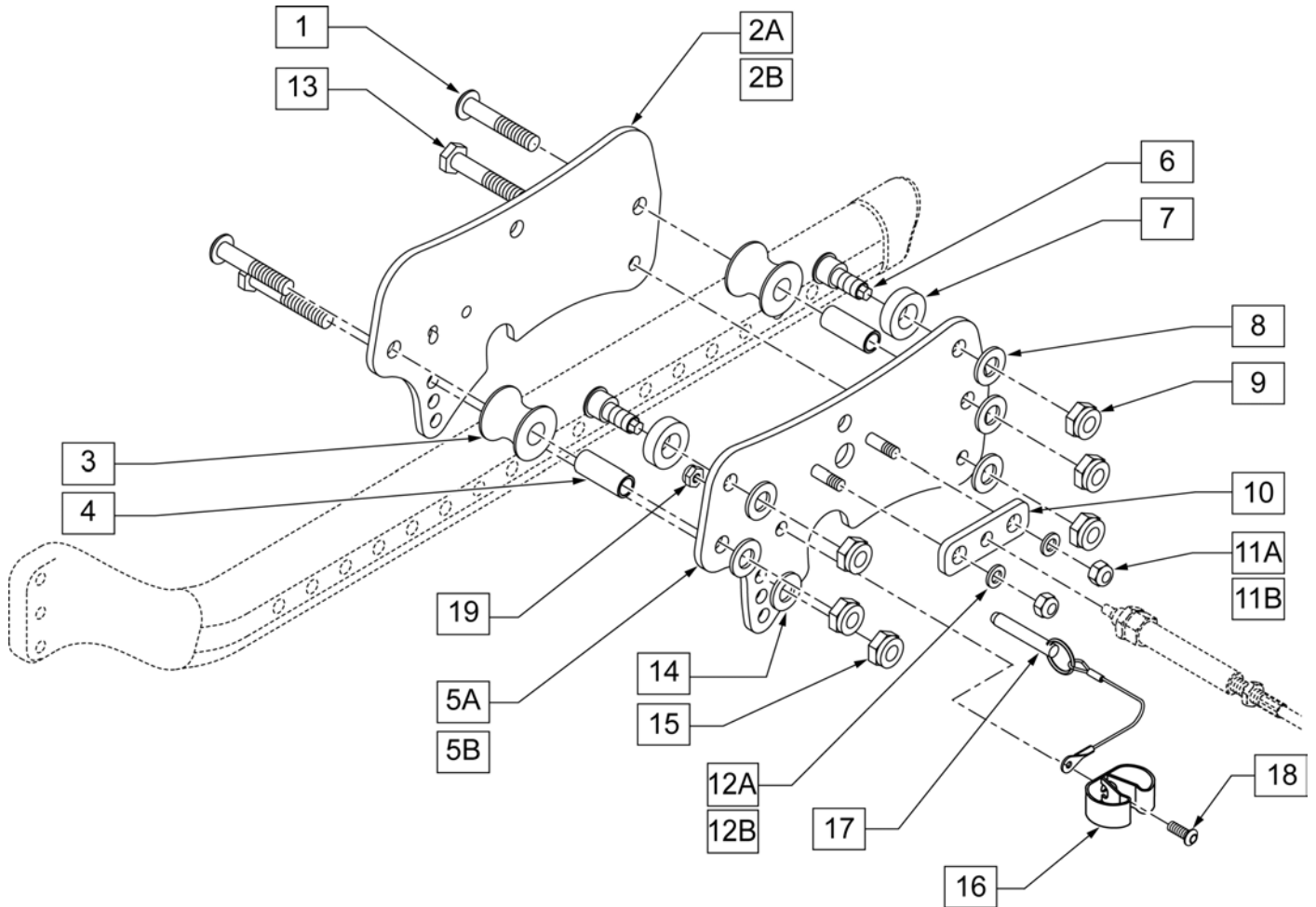
NOTE: FITS CHAIRS W/ SERIAL NUMBER PREFIX CGT ONLY.



Pos.	Item Number	Description
1	200101-QU	10-32 NYLOCK NUT THIN
2	560349	TILT STOP ROCKER
3	226031	10-32 x 1 1/4 SOC C/S BLK
1-3	920582	TILT STOP WITH HARDWARE

NOTE: FOR CORRECT MAINTENANCE AND/OR REPLACEMENT, ITEMS 3 AND 7 ARE SOLD IN PAIRS.

NOTE: FITS CHAIRS W/ SERIAL NUMBER PREFIX CGT ONLY.



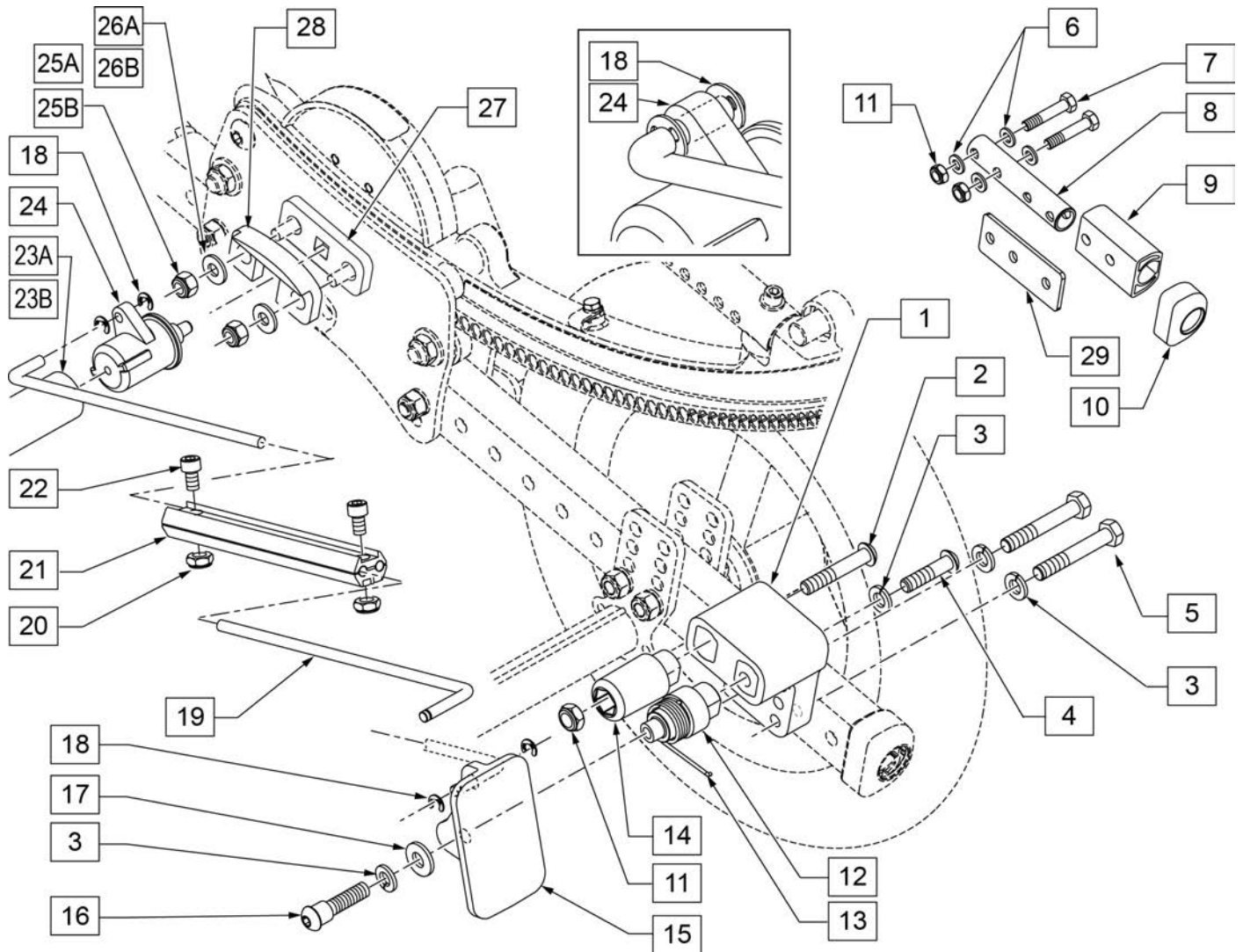
Pos.	Item Number	Description	Remarks
1	220088	3/8 -24 x 2 1/4 BH C/S BLK ZN	
2A	500324	PLATE OUTER ROLLER ASSM .190 THICK	
2B	506046	ROLLER PLATE OUTER HD	
5A	500530	ROLLER PLATE, INNER	RIGHT
5A	500531	ROLLER PLATE, INNER	LEFT
5B	506044	ROLLER PLATE, INNER HD	RIGHT
5B	506045	ROLLER PLATE, INNER HD	LEFT
8	261509	3/8 SAE WASHER	
9	203004	3/8 -24 NYLOCK NUT	
10	500698	PLUNGER PLATE	
11A	106932	1/4 -20 NYLOCK NUT HIGH	USED W/ TRIGGER RELEASE MECH.
11B			USED W/ FOOT RELEASE MECH.
12A	106943	1/4 AN WASHER FLAT	USED W/ TRIGGER RELEASE MECH.

Pos.	Item Number	Description	Remarks
12B			USED W/ FOOT RELEASE MECH.
13	226290	5/16 -24 x 2 G8 HEX C/S	
14	263100	5/16 AN WASHER FLAT	
15	106938	5/16 -24 NYLOCK NUT	
16	330313	GRIPPER CLIP	
17	340165	TRANSIT LOCKING PIN	
18	226020-QU	10-32 X 5/8 BH C/S BLK	
19	200100-QU	10-32 NYLOCK NUT	
6-9	885090	UPPER ROLLER W/ HARDWARE IRIS	PAIR
1, 3, 4, 8, 9	885091	LOWER ROLLER W/ HARDWARE IRIS	PAIR
1-11A-15	921806	ROLLER ASSM IRIS	RIGHT
1-11A-15	921807	ROLLER ASSM IRIS	LEFT
1, 2B, 3-5B, 6-11A-15	921808	ROLLER ASSM HD IRIS	RIGHT
1, 2B, 3-5B, 6-11A-15	921809	ROLLER ASSM HD IRIS	LEFT

NOTE: See attached FOOT PEDAL MOUNTING GUIDE.pdf for mounting position.

NOTE: Item 9 is included with chair at time of purchase but is not mounted.

NOTE: Foot Release Extension is used with S/N prefix chairs IRS and IRSE only.

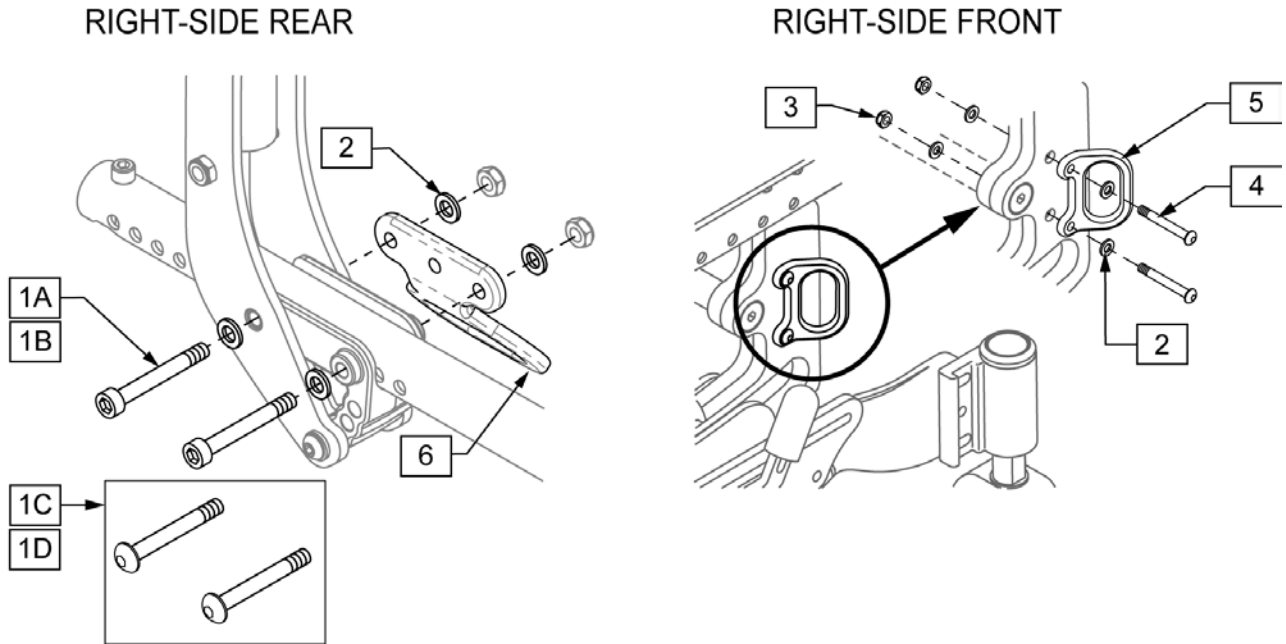


Pos.	Item Number	Description	Remarks
1	107242	BLOCK MOUNT FOOT RELEASE	
2	106982	BHCS 5/16 -18 x 1 3/4" SHLD ROHS	
3	106951	WASHER SPLIT LOCK 5/16" ROHS	
4	106980	BHCS 5/16 -18 x 1 1/4" ROHS	
5	106985	HHCS 5/16 -24 x 2" ROHS	
6	106946	WASHER FLAT AN 5/16" ROHS	

Pos.	Item Number	Description	Remarks
7	107358	HHCS 5/16 -18 x 1 1/2 ROHS	
8	107164	TUBE ADAPTER FOOT RELEASE	
9	107178	TUBE EXTENSION FOOT RELEASE	Black only
10	105809	CAP TUBE BASE	
11	202117	5/16-18 NYLOCK NUT THICK BLK	
12	106377	SHAFT PIVOT PEDAL	
13	106668	TORSION SPRING RH	RIGHT
13	106989	TORSION SPRING LH	LEFT
14	107167	POST STOP FOOT RELEASE	
15	107165	PEDAL FOOT RELEASE	
16	106979	BHCS 5/16 -18 x 3/4 ROHS	
17	263109	5/16" FENDER WASHER SS 3/4" OD	
18	106383	E-CLIP 3/16"	
19	107180	ROD LINKAGE FOOT RELEASE	
20	106931	NUT NYLOCK THIN 10 -32 ROHS	
21	107179	CLAMP LINKAGE FOOT RELEASE	
22	107181	SHCS 10 -32 x 1/2 ROHS	
23A	107239	ROCKER TUBE ASSM 13 -18"	13 -18" WIDE
23B	107240	ROCKER TUBE ASSM 15 -22"	15 -22" WIDE
18,24,27	108767	PIN RELEASE REPLACEMENT	Includes Left & Right
25A	106932	NUT NYLOCK 1/4 -20 ROHS	USED FOR CHAIRS W/ SN# Prefix IRS or ISE.
25B	201105	NUT NYLOCK THIN 1/4 -20 ROHS	USED FOR CHAIRS W/ SN# Prefix CGT.
26A	106945	WASHER FLAT SAE 1/4 ROHS	USED FOR CHAIRS W/ SN# Prefix IRS or ISE.
26B	106944	WASHER FLAT THIN AN 1/4 ROHS	USED FOR CHAIRS W/ SN# Prefix CGT.
28	118929	RETAINER ACTUATOR HOUSING	
29	108795	TUBE EXTENSION PLATE	
6-11,29	108615	FOOT RELEASE FRAME EXT.	Black only-not used for chairs w/ SN# Prefix CGT.
19 -22	108577	FOOT RELEASE LINKAGE ASSM	
1-4,11-17 *	112402	IRIS Z FOOT PEDAL ASSM R UP	RIGHT UP
1-4,11-17 *	112403	IRIS Z FOOT PEDAL ASSM L UP	LEFT UP
1-4,11-17 *	112404	IRIS Z FOOT PEDAL ASSM R DOWN	RIGHT DOWN
1-4,11-17 *	112405	IRIS Z FOOT PEDAL ASSM L DOWN	LEFT DOWN
1-29 *	116005	FOOT RELEASE KIT 14 -22 UP R	RIGHT UP -FITS S/N PREFIXS IRS, IRSE & CGT
1-29 *	116006	FOOT RELEASE KIT 14 -22 UP L	LEFT UP -FITS S/N PREFIXS IRS, IRSE & CGT
1-29 *	116007	FOOT RELEASE KIT 14 -22 DOWN R	RIGHT DOWN -FITS S/N PREFIXS IRS, IRSE & CGT
1-29 *	116008	FOOT RELEASE KIT 14 -22 DOWN L	LEFT DOWN -FITS S/N PREFIXS IRS, IRSE & CGT

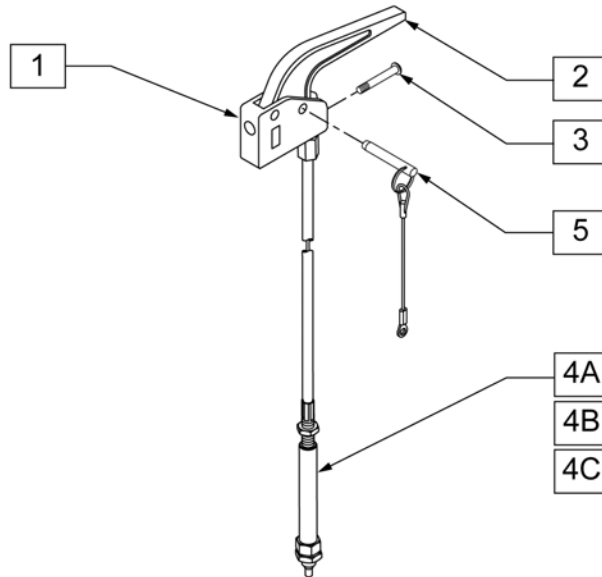
NOTE: Fits Quickie IRIS chairs with s/n prefix CGT only.

NOTE: Transit kits are not available with heavy duty option or drop seat.



Pos.	Item Number	Description	Remarks
1A	226169	1/4-28 X 2 3/4" SOC C/S	
1B	226165	1/4-28 X 2 1/2" SOC C/S	
1C	221061	1/4-28 X 2 1/2 BH C/S	
1D	221063	1/4-28 X 3 BH C/S	
2	262100-QU	1/4 AN WASHER FLAT	
3	201110-QU	1/4-28 NYLOCK NUT	
4	226140	1/4-28 X 1 3/4 BH C/S	
1A-6	920627	TRANSIT KIT IRIS DUAL POST	Used w/Dual Post non-Flipback arms
1B-6	920628	TRANSIT KIT IRIS ADJ LOCK ARM	Used w/ Adj locking and single post arms
1C,1D-6	920823	TRANSIT KIT IRIS D/P F.B ARM	Used w/ Dual Post Flip back arms

NOTE: FITS CHAIRS W/ SERIAL NUMBER PREFIX CGT ONLY.

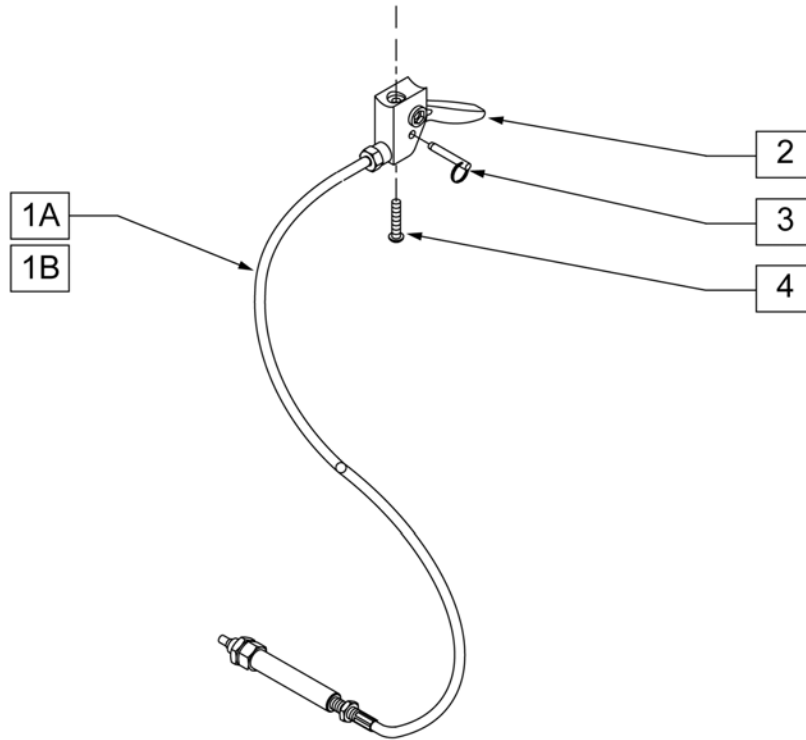


TILT CABLE REFERENCE GUIDE

BACK TYPE	CABLE LENGTH AND PART NUMBER		
	SHORT	MEDIUM	LONG
STROLLER HANDLE BACKPOST (LOW)	101318-001		
STROLLER HANDLE BACKPOST (MEDIUM)		101318-002	
STROLLER HANDLE BACKPOST (TALL)			101318-003
MEDIUM RECLINING BACKS		101318-002	
TALL RECLINING BACKS			101318-003

Pos.	Item Number	Description	Remarks
1, 2	580110	CYLINDER LOCK LEVER ASSM QT/QR/P5	
3	281120	10/32 x 5/8 PAN HD PHIL	
4A	101318-001	CABLE ASSEMBLY CGTS - SHORT	41" Long
4B	101318-002	CABLE ASSEMBLY CGTS - MEDIUM	44" Long
4C	101318-003	CABLE ASSEMBLY CGTS - LONG	47" Long
5	349021	TRIGGER RELEASE PIN TS/QT/P5	

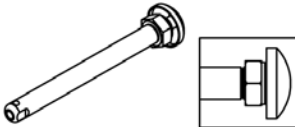
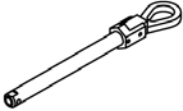
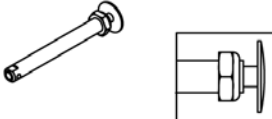
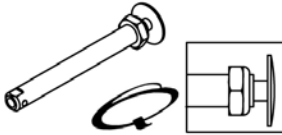
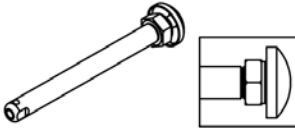
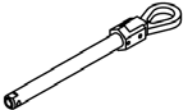
NOTE: FITS CHAIRS W/ SERIAL NUMBER PREFIX CGT ONLY.



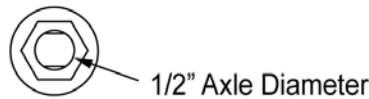
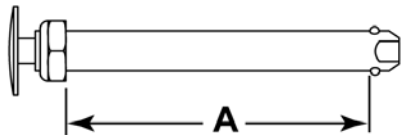
TILT CABLE REFERENCE GUIDE

BACK TYPE	CABLE LENGTH AND PART NUMBER	
	X-LONG	XX-LONG
HEIGHT ADJ BACK (STANDARD PUSH HANDLE)	101318-004	
HEIGHT ADJ BACK (LONG PUSH HANDLE)		101318-005

Pos.	Item Number	Description	Remarks
1A	101318-004	CABLE ASSM X-LG W/INSTRCT	51.5" LONG (X-LONG)
1B	101318-005	CABLE ASSM 2X-LG W/INSTRCT	57.5" LONG (XX-LONG)
2, 3	580109	PLUNGER PIN LEVER ASSM	
4	281120	10/32 x 5/8 PAN HD PHIL	

Wheel Type	Axle Type		Axle P/N	Spacer P/N
Mag Wheels	Quick Release	1A 	102063 A=4 1/8	N/A
	Quad Quick Release	1B 	922171 A=4 1/8	N/A
Standard Spoke	Quick Release	1D 	102064 "A" = 4 1/2	N/A
Lite Spoke Wheels	Quick Release	1C 	107268 A=4 1/4	N/A
Mag Wheels w/ Hub Locks	Quick Release	1E 	102065 "A" = 4 3/4	N/A
	Quad Quick Release	1F 	116390 A=4 3/4	N/A

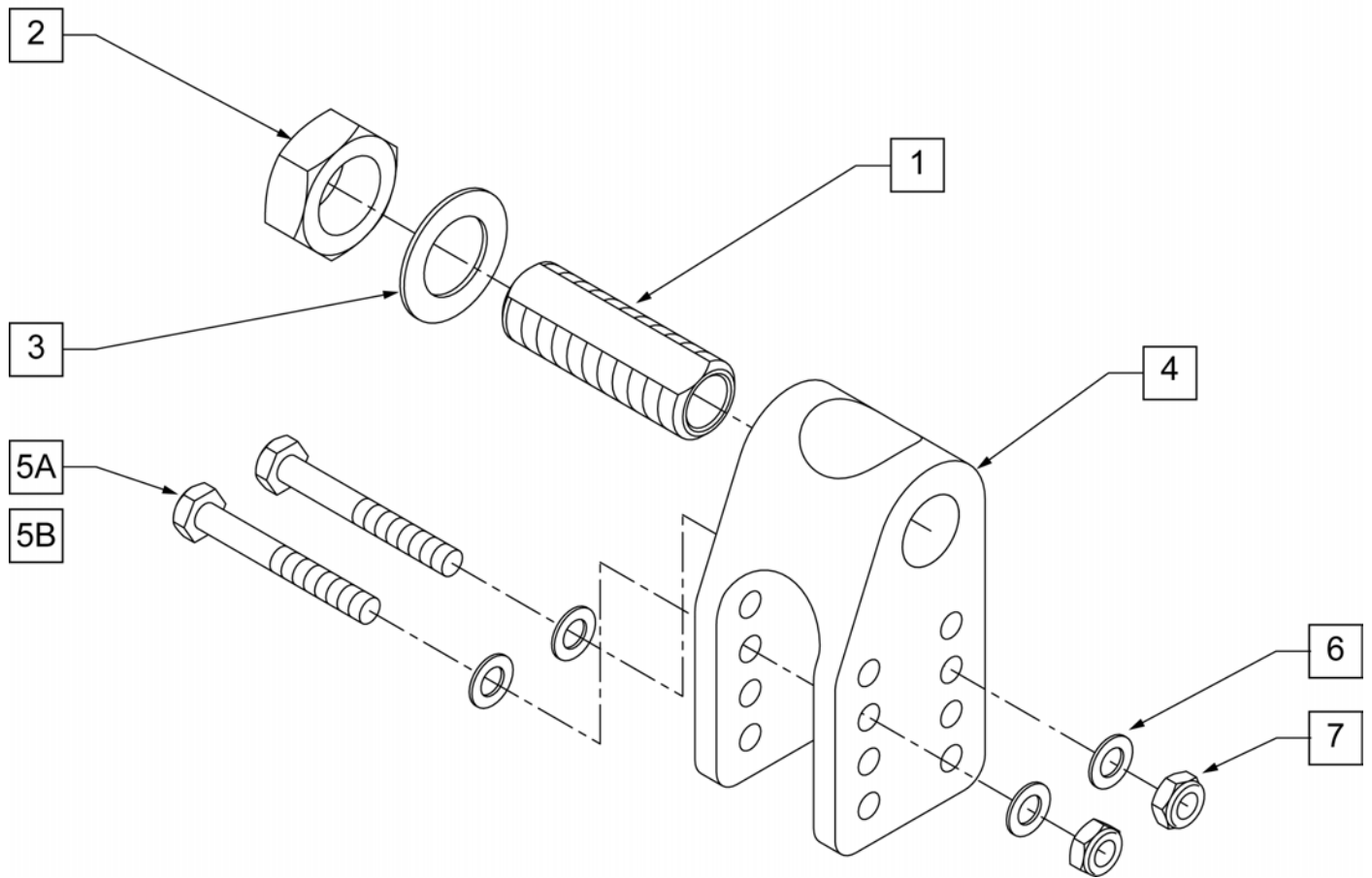
Quick Release Measuring Guide



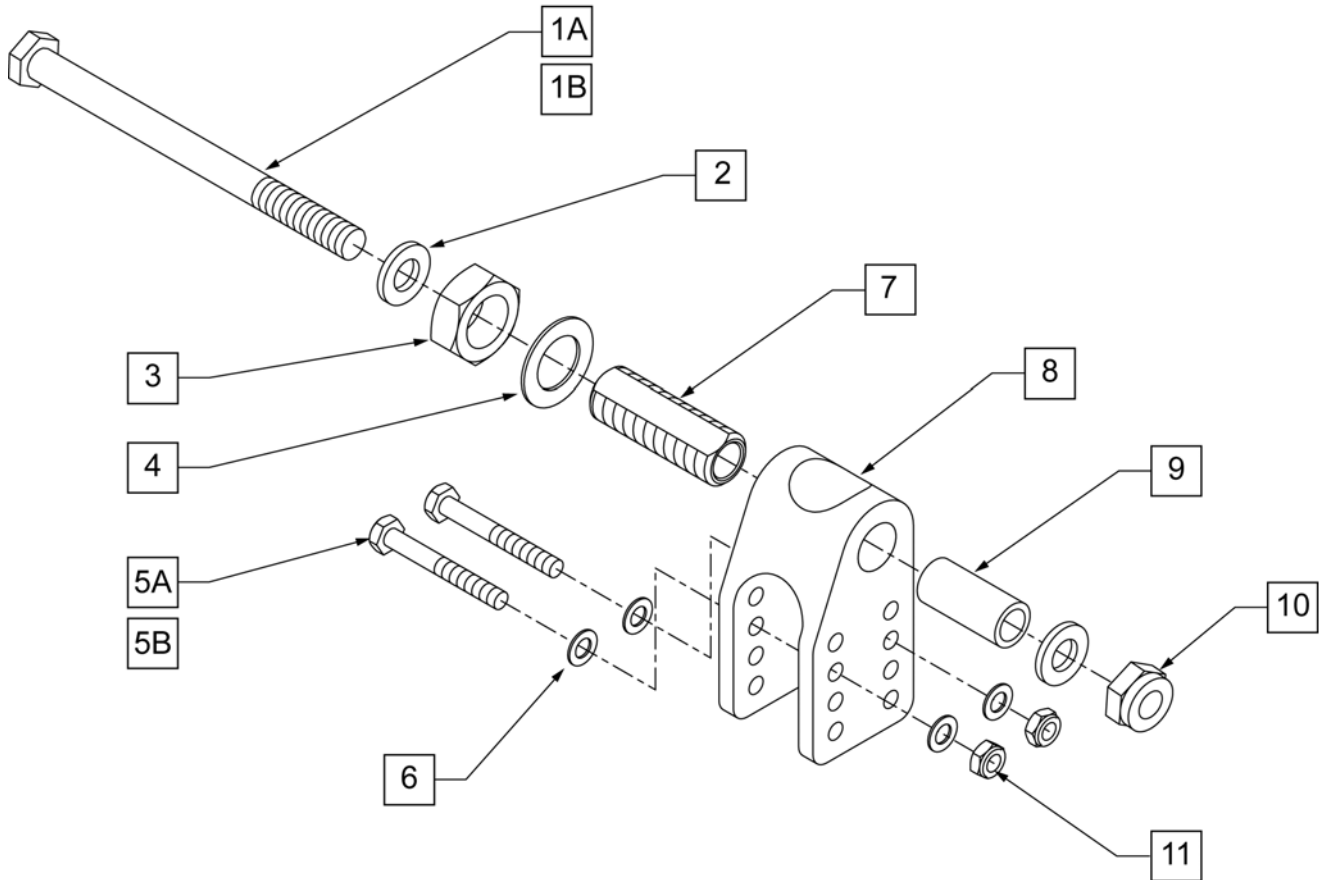
Pos.	Item Number	Description
1A	102063	QR AXLE MAG W/M-12 NUT
1B	920171	QR AXLE MAG W/QUAD NUT
1C	102064	QR AXLE M12 NUT CLR BIG BTTN
1D	107268	QR AXLE AND NUT SHORT BIG BUTTON
1E	102065	QR AXLE W/M12 NUT
1F	116390	QUAD RELEASE AXLE

NOTE: EFFECTIVE s/n CGT-9218

NOTE: FITS CHAIRS W/ SERIAL NUMBER PREFIX CGT ONLY.



Pos.	Item Number	Description
1	481065	AXLE SLEEVE S.S.
2	116569	NUT HEX 3/4-16 BLACK ZINC
3	116570	WASHER FLAT 3/4 X 1.25 BLK ZNC
4	500409	BLOCK AXLE CGTS
5	226299	5/16-24 X 2 1/4 G8 HEX C/S
5A	222246	5/16-24 X 3 GR8 HHCS STD
6	263100	5/16 AN WASHER FLAT
7	106938	5/16-24 NYLOCK NUT
1-5,6,7	883018	AXLE BLOCK W/HDWR
1-4,5A,6,7	883019	AXLE BLOCK W/ANTI-TIP HDWR



Pos.	Item Number	Description	Remarks
1A	221182	1/2-20 X 5 3/4 G8 HEX C/S	Used with Mag Wheels
1B	221183	1/2-20 X 6 1/8 G8 HEX C/S	Used with Spoke Wheels
2	106949	1/2 AN WASHER FLAT	
3	106938	5/16-24 NYLOCK NUT	
4	263100	5/16 AN WASHER FLAT	
5A	226299	5/16-24 X 2 1/4 G8 HEX C/S	Used without Anti-tips
5B	222246	5/16-24 X 3 GR8 HHCS STD	Used with Anti-tips
6	263100	5/16 AN WASHER FLAT	
7	481065	AXLE SLEEVE S.S.	
8	500409	BLOCK AXLE CGTS	
9	500418	SPACER TREADED AXLE CGTS	
10	203100	1/2-20 NYLOCK NUT	
11	106938	5/16-24 NYLOCK NUT	
3-4,5A,6-9	883021	AXL BLK W/ANTI-TIP HW THRD AXL	Used with Anti-tips
3-4,5B,6-9	883020	AXLE BLK W/HDWR THRD AXL	Used without Anti-tips

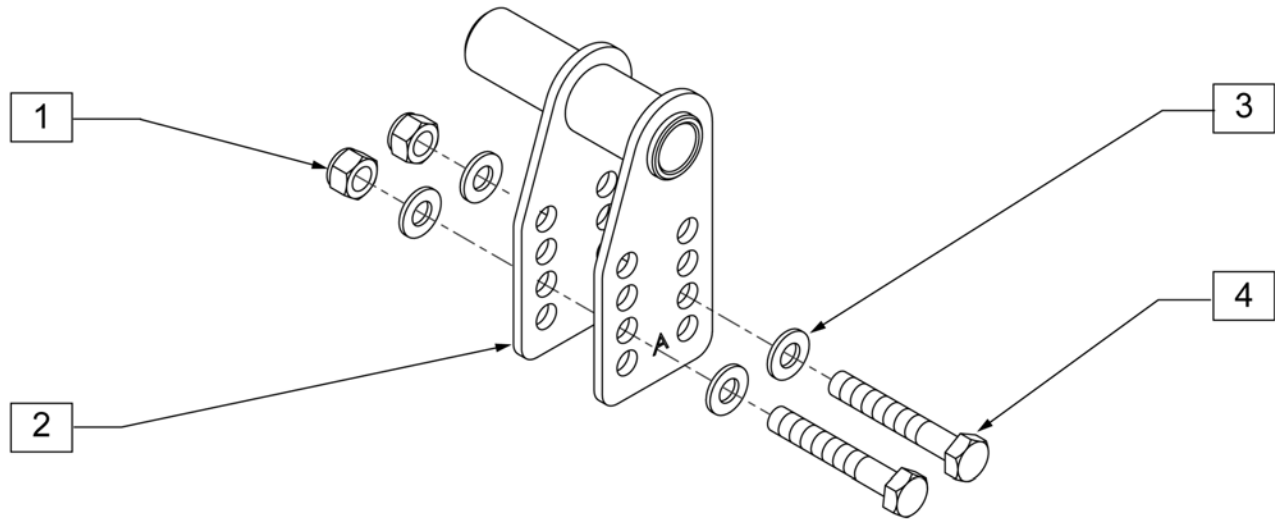
[09/2011]

NOTE: EFFECTIVE S/N CGT-9218.

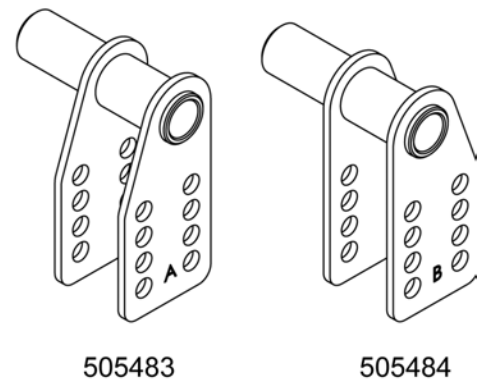
NOTE: FITS CHAIRS WITH SN PREFIX CGT ONLY

NOTE: Discontinued s/n CGT-9218; parts only. For item 2 and complete assemblies, replace with current axle bracket.

NOTE: FITS CHAIRS W/ SERIAL NUMBER PREFIX CGT ONLY.



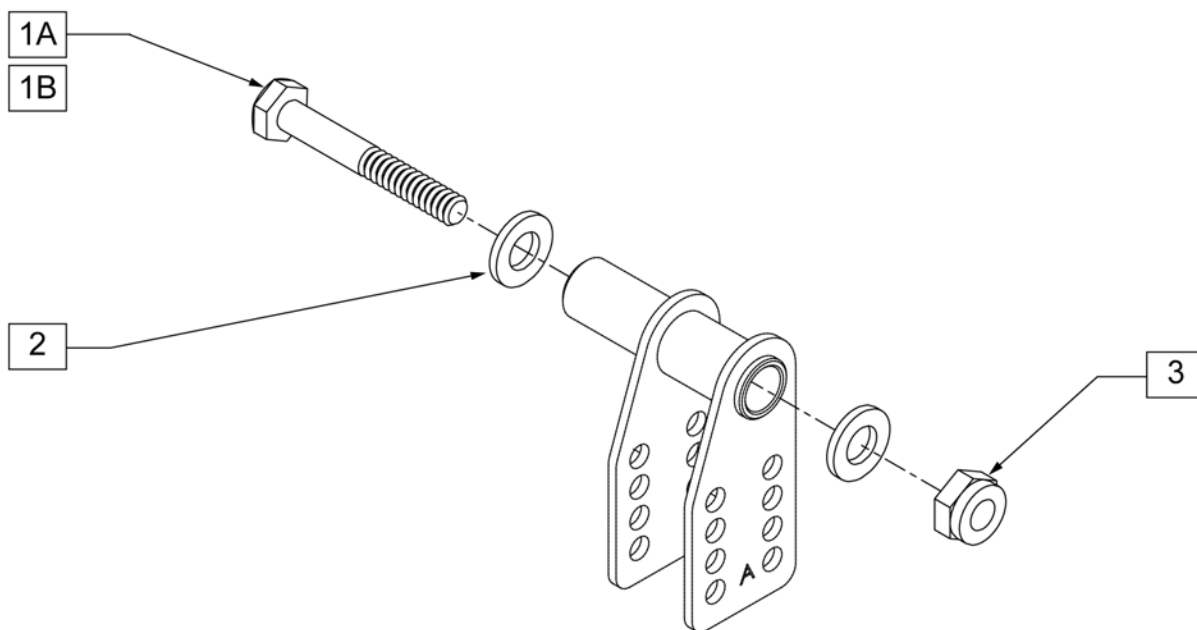
AXLE PLATE GUIDE



Pos.	Item Number	Description
1	106938	5/16 -24 NYLOCK NUT
3	263100	5/16" AN WASHER FLAT
4	226290	5/16 -24 x 2 G8 HEX C/S

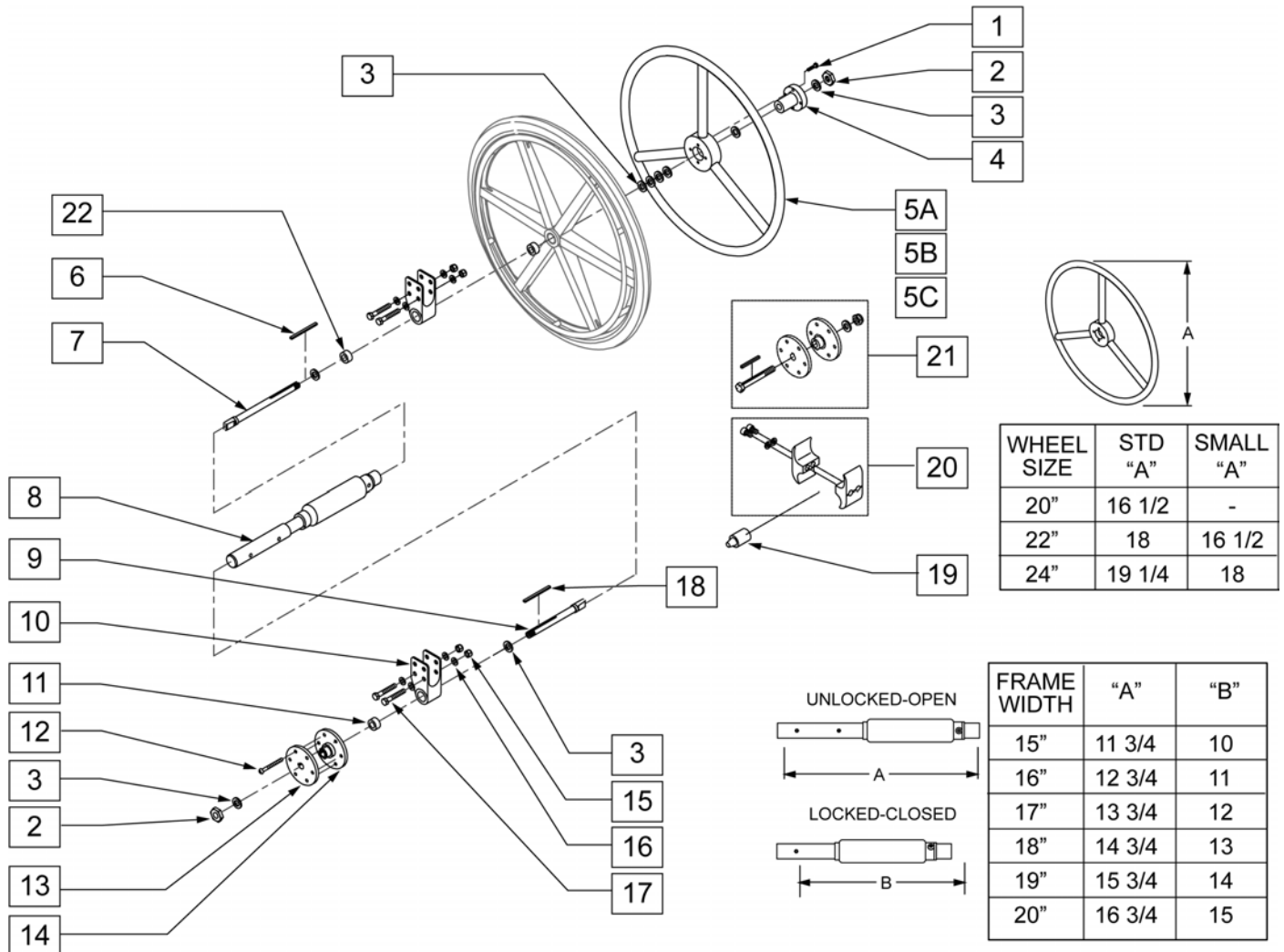
NOTE: DISCONTINUED S/N CGT-9218; PARTS ONLY.

NOTE: FITS CHAIRS W/ SERIAL NUMBER PREFIX CGT ONLY.



Pos.	Item Number	Description
1A	221182	1/2 -20 x 5 3/4 G8 HEX C/S
1B	221183	1/2 -20 x 6 1/8 G8 HEX C/S
2	106949	1/2 AN WASHER FLAT
3	106940	1/2 -20 NYLOCK NUT

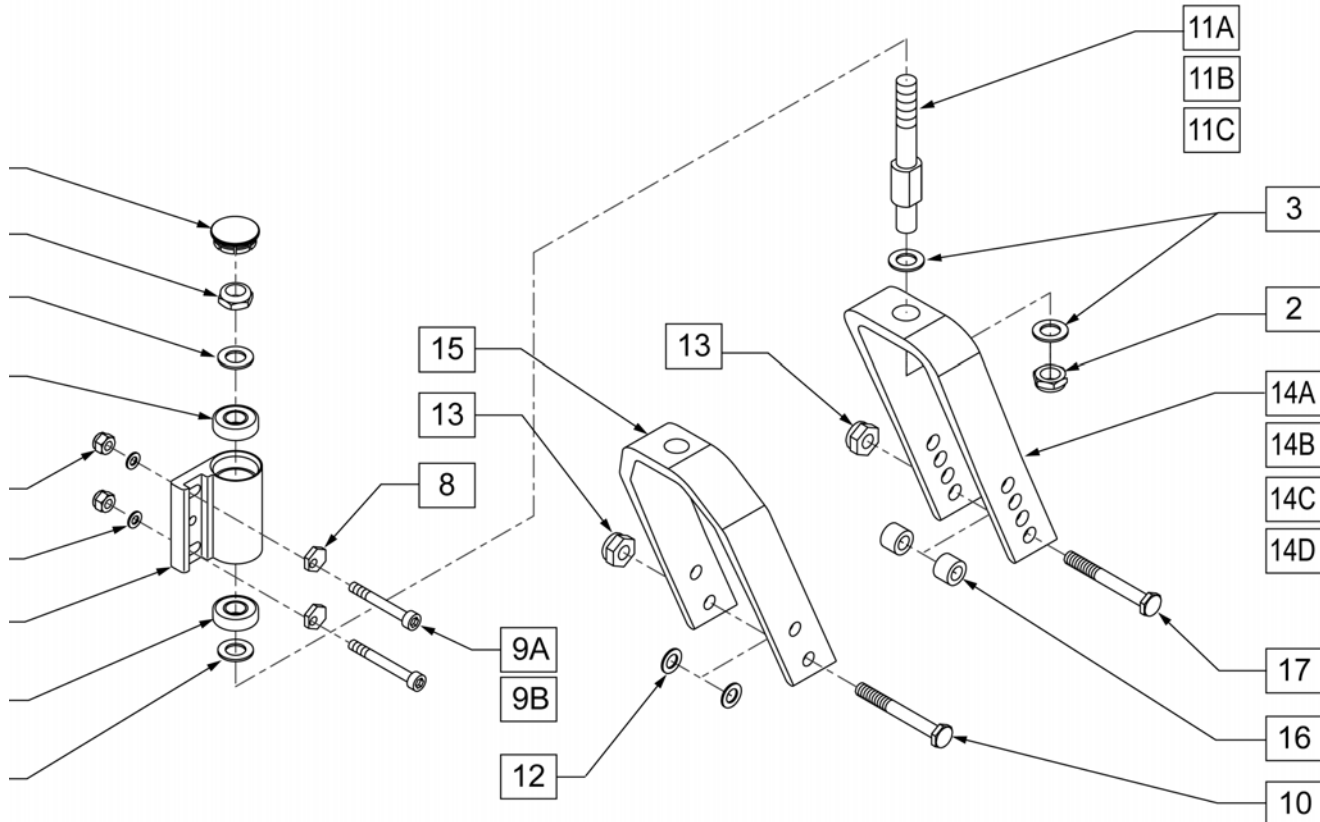
NOTE: FITS CHAIRS W/ SERIAL NUMBER PREFIX CGT ONLY.



Pos.	Item Number	Description
1	226015	10-32 x 3/4 SOC C/S BLK
2	106940	1/2 -20 NYLOCK NUT
3	106949	1/2 AN WASHER FLAT
4	106691	HAND RING HUB
5A	529801	1 AD HR ONLY 20 STANDARD/ 22 SMALL
5B	529800	1 AD HR ONLY 22 STANDARD/ 24 SMALL
5C	529802	1 AD HR ONLY 24 STANDARD
6	341274	3/16 SQ x 1 1/2 KEY STL
7	481670	1 AD HANDRIM DRIVE SHAFT
8	101097-003	1 AD SHAFT ASSM 14"
8	101097-004	1 AD SHAFT ASSM 15"
8	101097-005	1 AD SHAFT ASSM 16"
8	101097-006	1 AD SHAFT ASSM 17"

Pos.	Item Number	Description
8	101097-007	1 AD SHAFT ASSM 18"
8	101097-008	1 AD SHAFT ASSM 19"
8	101097-009	1 AD SHAFT ASSM 20"
9	481671	1 AD WHEEL DRIVE SHAFT CGTS
11	483320	WHEEL SPACER CGTS
12	226166	1/4 -28 x 2 1/2 BH C/S BLK
13	500630	1 AD WHEEL HUB W/O TAP
14	500631	WHEEL HUB 1 ARM DRIVE W/ TAP
15	106938	5/16 -24 NYLOCK NUT
16	263100	5/16 AN WASHER FLAT
17	226299	5/16-24 x 2 1/4 G8 HEX C/S
18	341277	3/16 SQ x 2-3/8 KEY
19	482030	1 AD DRIVE RECIEVER
20	800594	WHEEL LOCK 1 AD CLAMP ASSM BLK
21	330015	1 AD ALIGNMENT TOOL ASSM
22	349500	1 1/8 x 1/2 BEARING
10,22	880884	1 AD AXLE BLOCK W/ BEARINGS IRIS
2, 3, 6, 7, 9-18, 22	881069	1 AD HARDWARE KIT IRIS
1-22	923862	1 AD RETRO 14" (20 STANDARD/ 22 SMALL HAND RIM)
1-22	923863	1 AD RETRO 15" (20 STANDARD/ 22 SMALL HAND RIM)
1-22	923864	1 AD RETRO 16" (20 STANDARD/ 22 SMALL HAND RIM)
1-22	923865	1 AD RETRO 17" (20 STANDARD/ 22 SMALL HAND RIM)
1-22	923866	1 AD RETRO 18" (20 STANDARD/ 22 SMALL HANDRIM)
1-22	923867	1 AD RETRO 19" (20 STANDARD/ 22 SMALL HAND RIM)
1-22	923868	1 AD RETRO 20" (20 STANDARD/ 22 SMALL HAND RIM)
1-4, 5B, 6-22	923869	1 AD RETRO 14" (22 STANDARD/ 24 SMALL HAND RIM)
1-4, 5B, 6-22	923870	1 AD RETRO 15" (22 STANDARD/ 24 SMALL HAND RIM)
1-4, 5B, 6-22	923871	1 AD RETRO 16" (22 STANDARD/ 24 SMALL HAND RIM)
1-4, 5B, 6-22	923872	1 AD RETRO 17" (22 STANDARD/ 24 SMALL HAND RIM)
1-4, 5B, 6-22	923873	1 AD RETRO 18" (22 STANDARD/ 24 SMALL HAND RIM)
1-4, 5B, 6-22	923874	1 AD RETRO 19" (22 STANDARD/ 24 SMALL HAND RIM)
1-4, 5B, 6-22	923875	1 AD RETRO 20" (22 STANDARD/ 24 SMALL HAND RIM)
1-4, 5C, 6-22	923876	1 AD RETRO 14" (20 STANDARD HAND RIM)
1-4, 5C, 6-22	923877	1 AD RETRO 15" (20 STANDARD HAND RIM)
1-4, 5C, 6-22	923878	1 AD RETRO 16" (20 STANDARD HAND RIM)
1-4, 5C, 6-22	923879	1 AD RETRO 17" (20 STANDARD HAND RIM)
1-4, 5C, 6-22	923880	1 AD RETRO 18" (20 STANDARD HAND RIM)
1-4, 5C, 6-22	923881	1 AD RETRO 19" (20 STANDARD HAND RIM)
1-4, 5C, 6-22	923882	1 AD RETRO 20" (20 STANDARD HAND RIM)

NOTE: FITS QUICKIE IRIS CHAIRS W/ SERIAL NUMBER PREFIX CGT ONLY.



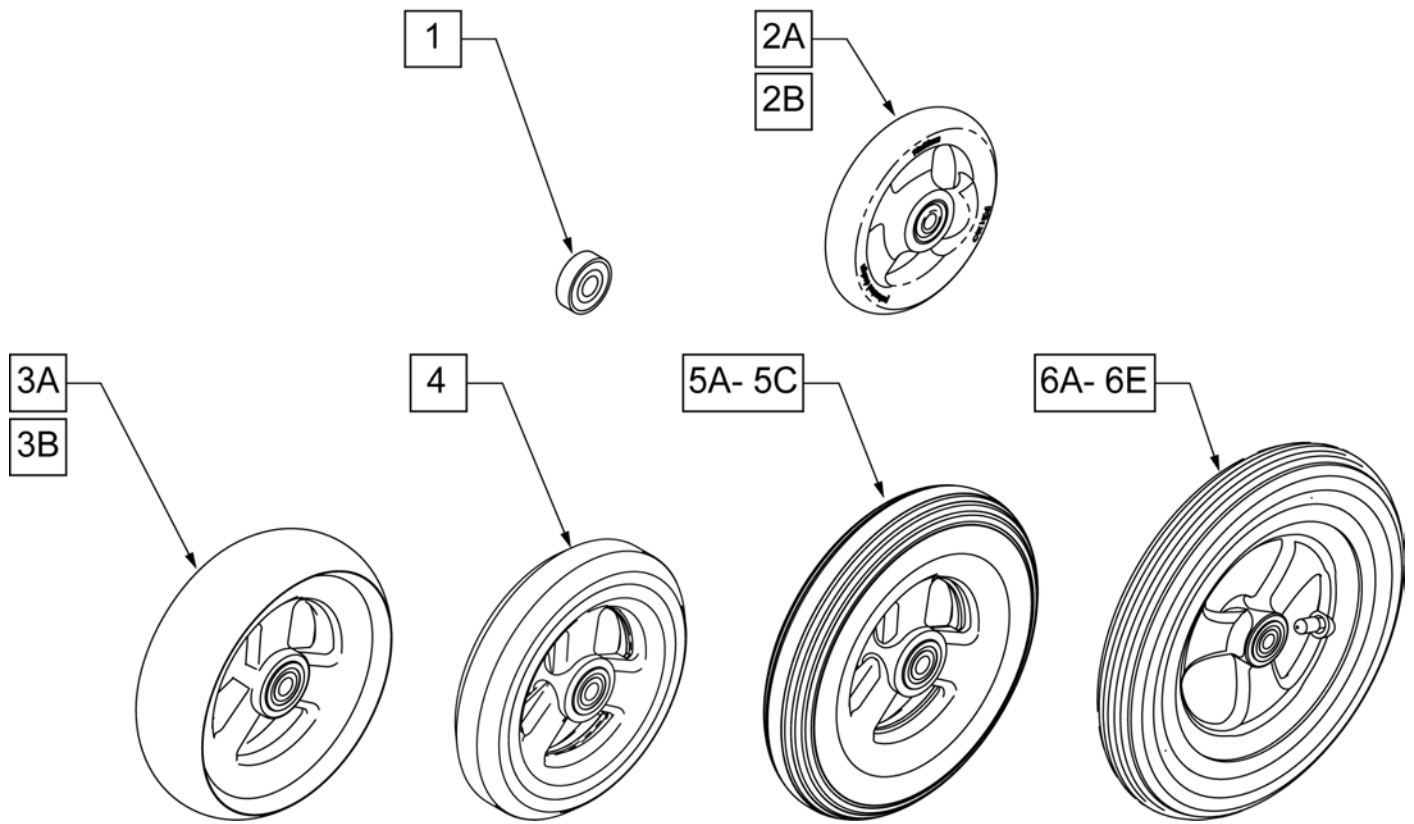
Pos.	Item Number	Description	Remarks
1	561070	CASTER CAP PLASTIC	
1	920028	CASTER CAP PLASTIC	PAIR
2	106940	1/2 -20 NYLOCK NUT	
3	106949	1/2 AN WASHER FLAT	
4	349500	1 1/8 x 1/2 BEARING	
5	106934	1/4 -28 NYLOCK NUT	
6	106943	1/4 AN WASHER FLAT	
8	262128	WASHER ECCENTRIC HD 1/4 HOLE	
9A	226114	1/4 -28 x 1 1/2 SOC C/S BLK	W/O TRANSIT
9B	226163	1/4 -28 x 2 SOC C/S BLK	W/ TRANSIT or ABDUCTION BLOCKS
10	222253	5/16" -24 x 3 1/4 HEX C/S	
11A	481820	CASTER STEM SHORT CGTS	
11B	481821	CASTER STEM MED CGTS	
11C	481822	CASTER STEM LONG CGTS	
12	106947	5/16 AN WASHER FLAT	
13	106939	5/16 -24 NYLOCK NUT THIN	
14A	550685	FORK 5 1/4 1.5 WIDE	

Pos.	Item Number	Description	Remarks
14B	550686	FORK 6 1.5 WIDE	
14C	550687	FORK 7 1.5 WIDE	
14D	550386	4 3/4 FORK #26 BLACK	
15	550730	FORK 8 x 2	
16	481113	SPACER 5/16 x .380	
17	106987	5/16 -24 x 2 1/2 HEX C/S	
4, 7	780204	CASTER PLATE HI ANGLE DOUBLE BEARING	RIGHT
4, 7	780205	CASTER PLATE HI ANGLE DOUBLE BEARING	LEFT
1, 5, 6, 8,9A	040032-001	CASTER PLATE HARDWARE KIT PED	
1, 5, 6, 8,9B	040032-002	CASTER PLATE HARDWARE KIT EXT PED	
2, 3, 11A	920592	CASTER STEM STANDARD W/ HDWR	
2, 3, 11B	920593	CASTER STEM 3/4 W/ HDWR	
2, 3, 11C	920594	CASTER STEM 1 1/2 W/ HDWR	
2, 3, 11A,13,14D,16,17	040033-001	FORK 4 3/4 STEM STANDARD W/ HDWR	
2, 3, 11A,13,14A,16,17	781125	FORK 5 1/4 STEM STANDARD W/ HDWR	
2, 3, 11A,13,14B,16,17	781126	FORK 6 STEM STANDARD W/ HDWR	
2, 3, 11A,13,14C,16,17	781127	FORK 7 STEM STANDARD W/ HDWR	
2, 3,10,11A,12,13,15	781128	FORK 8 x 2 STEM STANDARD W/ HDWR	
2, 3, 11B,13,14D,16,17	040033-002	FORK 4 3/4 STEM 3/4 W/ HDWR	
2, 3, 11B,13,14A,16,17	781135	FORK 5 1/4 STEM 3/4 W/ HDWR	
2, 3, 11B,13,14B,16,17	781136	FORK 6 STEM 3/4 W/ HDWR	
2, 3, 11B,13,14C,16,17	781137	FORK 7 STEM 3/4 W/ HDWR	
2, 3,10,11B,12,13,15	781138	FORK 8 x 2 STEM 3/4 W/ HDWR	
2, 3, 11C,13,14A,16,17	040033-003	FORK 4 3/4 STEM 1 1/2 W/ HDWR	
2, 3, 11C,13,14A,16,17	781145	FORK 5 1/4 STEM 1 1/2 W/ HDWR	
2, 3, 11C,13,14B,16,17	781146	FORK 6 STEM 1 1/2 W/ HDWR	
2, 3, 11C,13,14C,16,17	781147	FORK 7 STEM 1 1/2 W/ HDWR	
2, 3, 10,11C,12,13,15	781148	FORK 8 x 2 STEM 1 1/2 W/ HDWR	

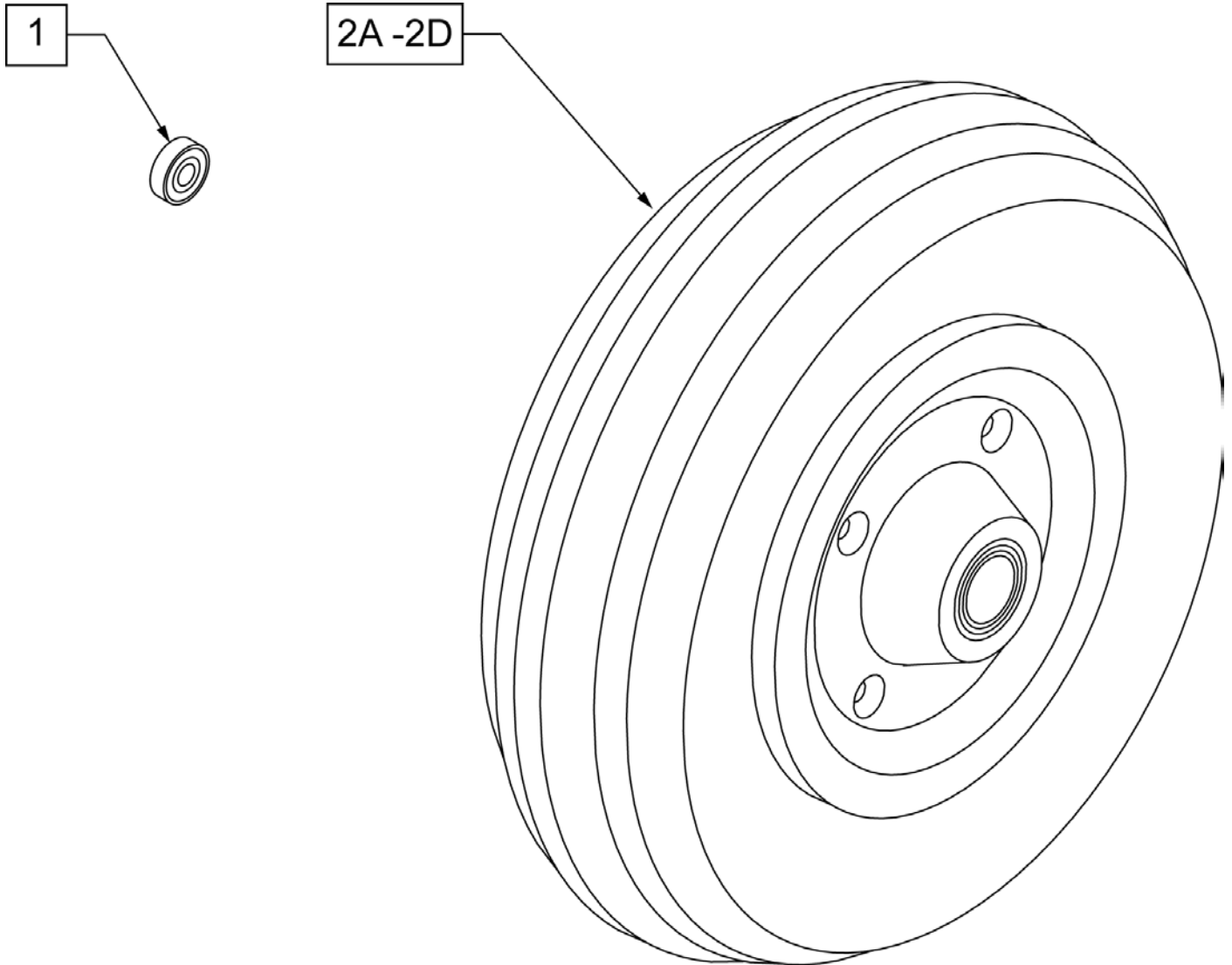
NOTE: 7" and 8" Casters are not available on the Q2 or the GT.

Note: If using 6" casters on Q7, Anti Flutter should be installed. See Standard Multi Position Fork page.

Note: Casters wider than 1" will not fit on Quickie Ti Titanium forks.



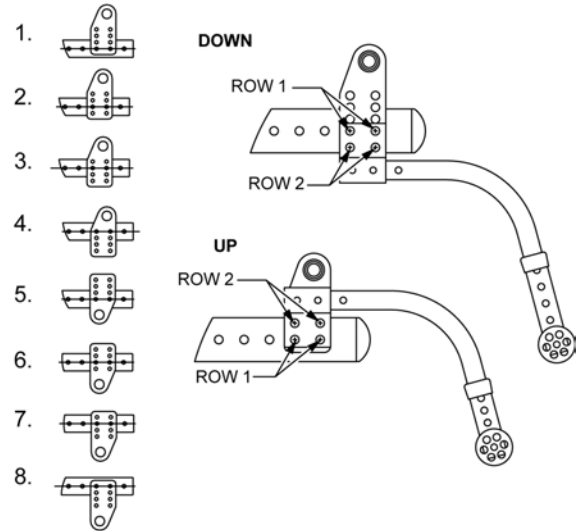
Pos.	Item Number	Description	Remarks
1	349502	7/8"x 5/16" BEARING	
2A	101957	4"X1-1/4 POLY 3 SPOKE CSTR	4" X 1.25 SEMI-PNEUMATIC
2B	101098	CASTER 4" PLASTIC/POLY W/BRG	4" LOW PROFILE POLY
3A	101259	5"X1-1/2" POLY 3 SPOKE CSTR	5" x 1.5" SEMI-PNEUMATIC
3B	101255	6"X1-1/2" POLY 3 SPOKE CSTR	6" x 1.5" SEMI-PNEUMATIC
4	101254	5" LOW POLY 3 SPOKE CASTER	5" LOW PROFILE POLY
5A	101256	6" SEMI PNEU 3 SPOKE CASTER	6" POLY
5B	101257	6" PNEUMATIC 3 SPOKE CASTER	6" PNEUMATIC
5C	383245	6" PNEUMATIC TIRE & TUBE	
6A	400212	CASTER 8" PNEU 3 SPK ASSM	8" PNEUMATIC
6B	400213	CASTER 8" POLY 3 SPK ASSM	8" POLY
6C	400214	CASTER 8" LOW POLY 3 SPK ASSM	7" x LOW PROFILE POLY
6D	383255	8" PNEUMATIC TIRE & TUBE	
6E	400215	CASTER 8" WIDE POLY 3 SPK ASSM	8" x 1.5" LOW POLY



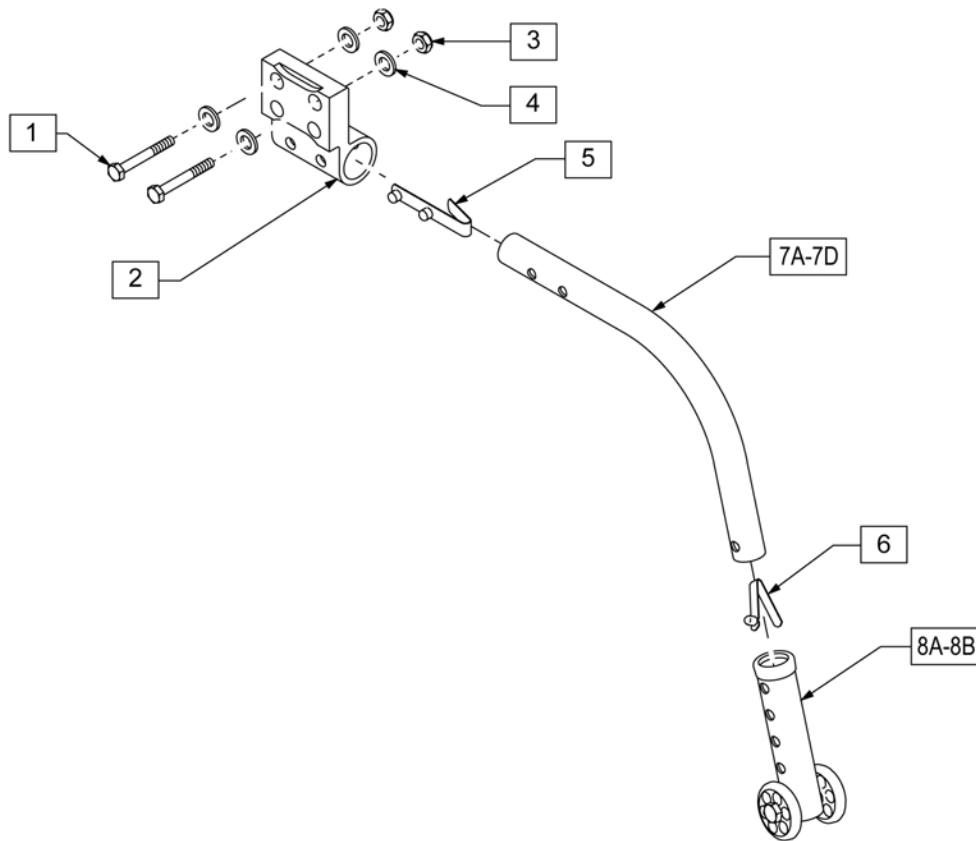
Pos.	Item Number	Description	Remarks
1	349502	7/8"x 5/16" BEARING	
2A	400700	8" X 2" CMPST W/PNEU & BEARING	8" x 2" PNEUMATIC
2B	400702	8" X 2" CMPST W/PNEU INSRT&BRG	8" x 2" PNEUMATIC W/ INSERT
2C	384700	TIRE PNEUMATIC 8" x 2"	
2D	384730	INNER TUBE CASTER 8" x 2"	

NOTE: FITS CHAIRS W/ SERIAL NUMBER PREFIX CGT ONLY.

DIM "A"	REAR WHEELS	ANTI TIP PART NUMBERS	RECEIVER ORIENT.	RECEIVER ATTCH.	SLEEVE HOLE
6.0	12, 16, 20	882906R 882907L	Up	Row 1	1
6.5	12, 16, 20	882906R 882907L	Up	Row 1	2
7.0	12, 16, 20	882906R 882907L	Up	Row 1	3
7.5	12, 16, 20	882906R 882907L	Up	Row 2	2
8.0	12, 16, 20	882906R 882907L	Up	Row 2	3
8.5	12, 16, 20	882912R 882913L	Up	Row 2	1
9.0	12, 16, 20	882912R 882913L	Up	Row 2	2
9.5	12, 16, 20	882912R 882913L	Up	Row 2	2
10.0	12, 16, 20	882912R 882913L	Up	Row 2	3
10.5	12, 16, 20	882912R 882913L	Up	Row 2	4
11.0	12, 16, 20	882912R 882913L	Down	Row 1	1
11.5	12, 16, 20	882912R 882913L	Down	Row 1	2
12.0	12, 16, 20	882912R 882913L	Down	Row 1	2
12.5	12, 16, 20	882912R 882913L	Down	Row 1	3
8.0	22, 24	882908R 882909L	Up	Row 2	3
8.5	22, 24	882922R 882923L	Up	Row 2	1
9.0	22, 24	882922R 882923L	Up	Row 2	2
9.5	22, 24	882922R 882923L	Up	Row 2	2
10.0	22, 24	882922R 882923L	Up	Row 2	3
10.5	22, 24	882922R 882923L	Up	Row 2	4
11.0	22, 24	882922R 882923L	Down	Row 1	1



NOTE: FITS CHAIRS W/ SERIAL NUMBER PREFIX CGT ONLY.



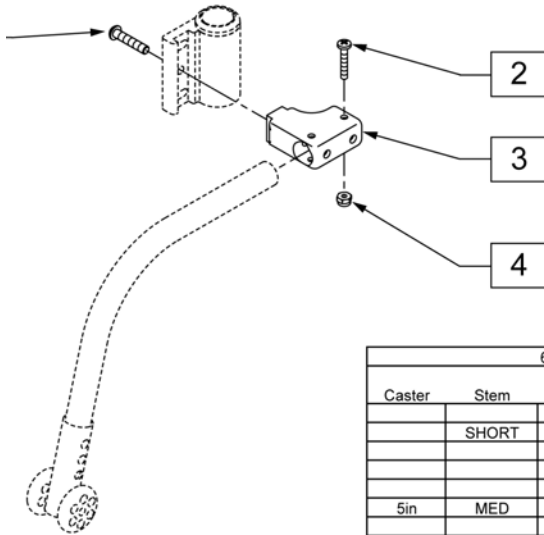
Pos.	Item Number	Description	Remarks
1	222249	5/16-24 x 3 G8 HEX C/S	
2	540214	ANTI-TIP RECEIVER	
3	106938	5/16-24 NYLOCK NUT	
4	263100	5/16 AN WASHER FLAT	
5	301109	SNAP BUTTON DUAL ONE SIDE	
6	301100	SNAP BUTTON 1/4IN SINGLE	
5,6,7A	882964	ANTI-TIP TUBE BLK -SMALL	RIGHT-FOR USE W/ 12" & 16" REAR WHEELS
5,6,7A	882965	ANTI-TIP TUBE BLK -SMALL	LEFT- FOR USE W/ 12" & 16" REAR WHEELS
5,6,7B	882896	ANTI-TIP TUBE BLK REGULAR	RIGHT
5,6,7B	882897	ANTI-TIP TUBE BLK -REGULAR	LEFT
5,6,7C	882966	ANTI-TIP TUBE EXTENSION BLK -SMALL	RIGHT
5,6,7C	882967	ANTI-TIP TUBE EXTENSION BLK -SMALL	LEFT
5,6,7D	882974	ANTI-TIP TUBE EXTENSION BLK -REGULAR	RIGHT
5,6,7D	882975	ANTI-TIP TUBE EXTENSION BLK -REGULAR	LEFT
8B	881512	ANTI-TIP SLEEVE W/ WHLS (4H) BLK	W/ WHEELS
8B	881513	ANTI-TIP SLEEVE W/ WHLS (5H) BLK	W/ WHEELS
5,6,7A,8A	882906	ANTI-TIP ASSM SMALL (4H) BLK	RIGHT-FOR USE W/ 12" REAR WHEELS
5,6,7A,8A	882907	ANTI-TIP ASSM SMALL (4H) BLK	LEFT- FOR USE W/ 12" REAR WHEELS

Pos.	Item Number	Description	Remarks
5,6,7C,8A	882908	ANTI-TIP ASSM SMALL EXTENSION (4H) BLK	RIGHT
5,6,7C,8A	882909	ANTI-TIP ASSM SMALL EXTENSION (4H) BLK	LEFT
5,6,7B,8B	882912	ANTI-TIP ASSM REG LONG SLEEVE (5H) BLK	RIGHT
5,6,7B,8B	882913	ANTI-TIP ASSM REG LONG SLEEVE (5H) BLK	LEFT
5,6,7D,8B	882922	ANTI-TIP REG EXT W/ LONG SLEEVE (5H) BLK	RIGHT
5,6,7D,8B	882923	ANTI-TIP REG EXT W/ LONG SLEEVE (5H) BLK	LEFT
1-6,7A,8A	900784	ANTI-TIP W/ HDWR & RECEIVER (4H) SMALL	PAIR
1-6,7B,8B	900785	ANTI-TIP W/ HDWR & RECEIVER (4H) REGULAR	PAIR
1-6,7C,8A	900786	ANTI-TIP W/ HDWR & RECEIVER (4H) SMALL EXT	PAIR
1-6,7D,8B	900787	ANTI-TIP W/ HDWR & RECEIVER (4H) REGULAR EXT	PAIR
1-4	922352	KIT-IRIS ANTI-TIP REPLACEMENT	

FRONT ANTI-TIPS (S/N Prefix CGT)

[09/2011]

NOTE: FITS CHAIRS W/ SERIAL NUMBER PREFIX CGT ONLY.



5.25" FORK		
STEM	FORK HOLE NO.	ANTI-TIPS
	1	
SHORT	2	882906
	3	882907
	4	
MED	1	882906
	2	882907
	3	882912
	4	882913
	1	
LONG	2	882912
	3	882913
	4	
SHORT	2	882906
	3	882907
	4	882912/882913
MED	2	882912
	3	882913
	4	
LONG	2	882912
	3	882913
	4	
SHORT	4	882912/882913
MED	4	882912/882913
LONG	4	882912/882913

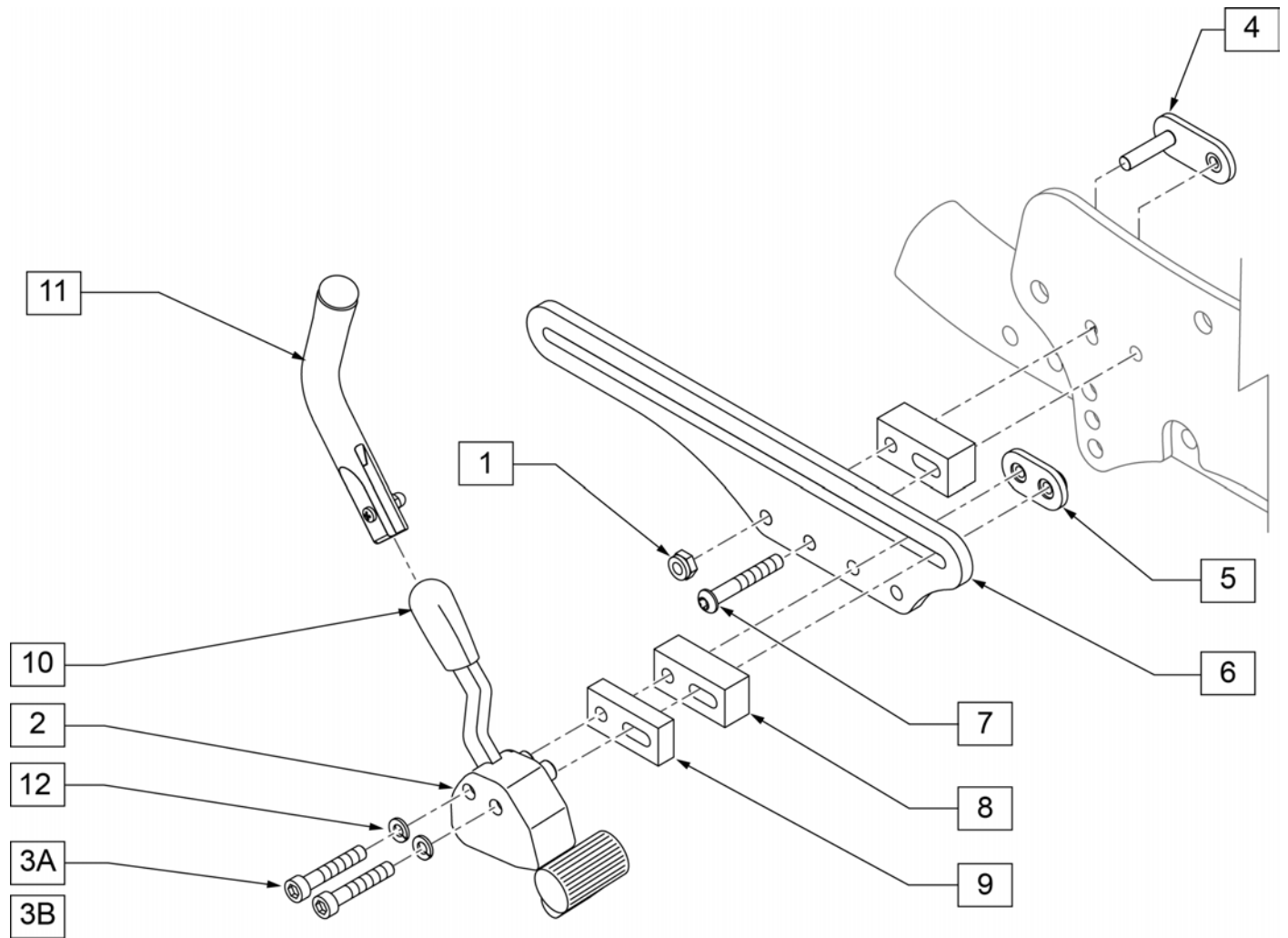
6" FORK			
Caster	Stem	Fork Hole No.	Anti-Tips
		1	882906
	SHORT	2	882907
		3	882912
		4	882913
		1	
5in	MED	2	882912
		3	882913
		4	
		1	
	LONG	2	882912
		3	882913
		4	
		1	882906
	SHORT	2	882907
		3	882912
		4	882913
		1	
6in	MED	2	882912
		3	882913
		4	
		1	
	LONG	2	882912
		3	882913
		4	
		1	
	SHORT	2	882912
		3	882913
		4	
		1	
	LONG	2	882912
		3	882913
		4	
8in	MED	2	882912
		3	882913
		4	
		1	
		2	882912/882913
	LONG	3	No Go
		4	No Go

8" x 2" FORK			
Caster	Stem	Fork Hole No.	Anti-Tips
8W	SHORT	1	882912
		2	882913
	MED	1	882912/882913
		2	No Go
	LONG	1	882912/882913
		2	No Go
8WA	SHORT	1	882912/882913
		2	No Go
	MED	1	882912/882913
		2	No Go
	LONG	1	882912/882913
		2	No Go

7" FORK			
Caster	Stem	Fork Hole No.	Anti-Tips
		1	
	SHORT	2	882912
		3	882913
		4	
		1	
5in	MED	2	882912
		3	882913
		4	
		1	
	LONG	2	882912
		3	882913
		4	No Go
	SHORT	1	
		2	882912
		3	882913
		4	
	MED	1	
6in		2	882912
		3	882913
		4	No Go
	LONG	1	882912
		2	882913
		3	No Go
		4	No Go
	SHORT	1	
		2	882912
		3	882913
		4	No Go
	MED	1	882912
8in		2	882913
		3	No Go
		4	No Go
	LONG	1	No Go
		2	No Go
		3	No Go
		4	No Go

Pos.	Item Number	Description
1	106961	1/4 -28 x 1 1/4 BH C/S
2	226069-QU	1/4 -20 x 1/2 BH C/S BLK
3	505341	FRONT ANTI-TIP H/D CASTER
4	200100-QU	10-32 NYLOCK NUT
1-4	922050	FRONT ANTI-TIP RECEIVER H/A CASTER Q2

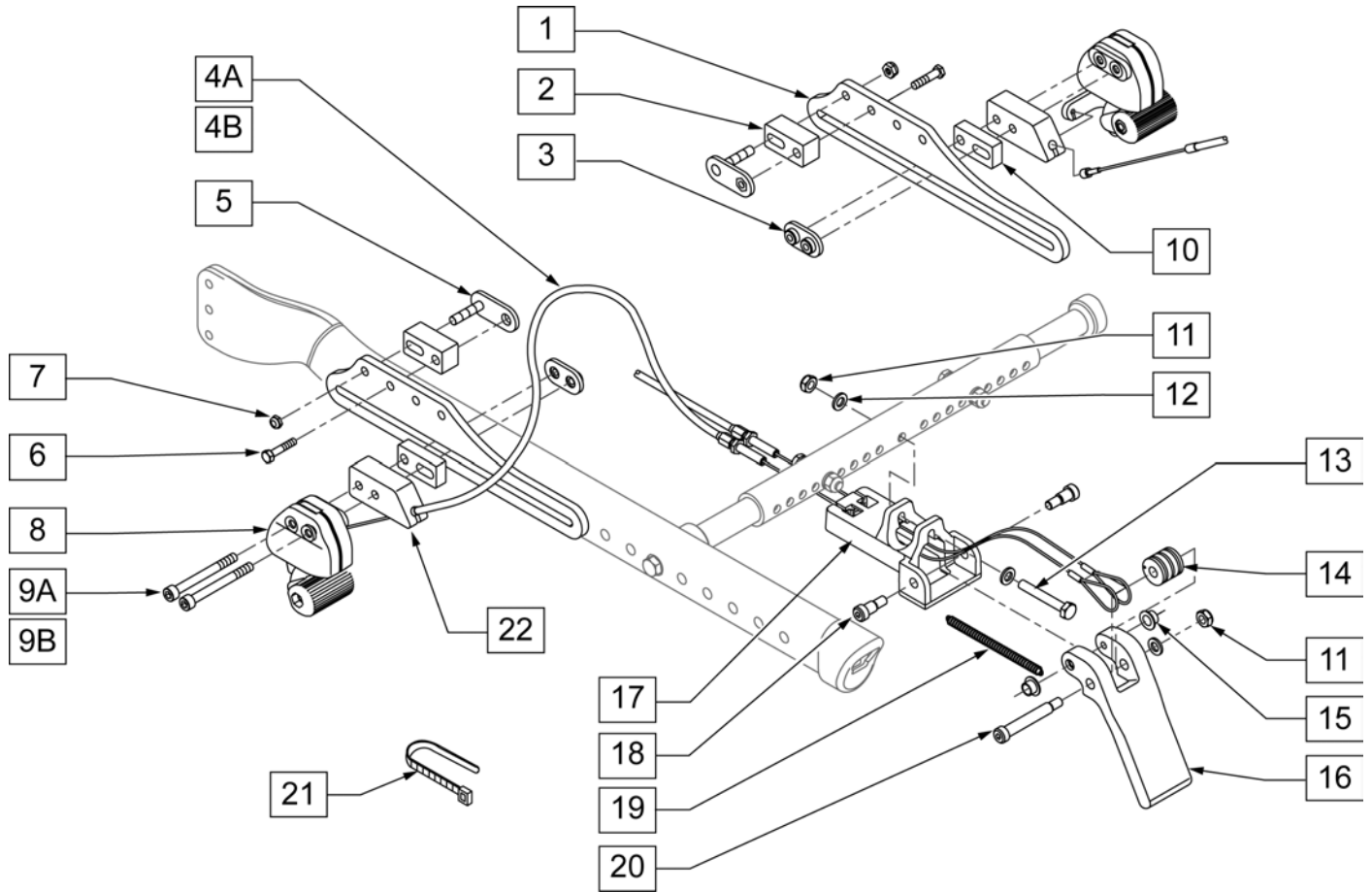
NOTE: FITS CHAIRS W/ SERIAL NUMBER PREFIX CGT ONLY.



Pos.	Item Number	Description	Remarks
1	221125	1/4 -20 X 1 1/4 HEX C/S	
3A	234900	M6-60 SOC C/S BLK	
3B	201344	M6 x 70 SOC C/S SS	FOR SPOKE WHEELS
4	463161	NUT PLATE W/ STUD 1 SPACING	
5	463162	NUT PLATE M6 16MM SPACING	
6	500695	PLATE WHEEL LOCK	
7	106932	1/4 -20 NYLOCK NUT HIGH	
8	500675	WHEEL LOCK MOUNTING BLOCK	
9	501711	BLOCK SPACER WHEEL LOCK	FOR SPOKE WHEELS
10	000 861 156-ET	B4 WHEEL LOCK GRIPS QTY 5 EA	PACK OF 5
11	000 861 263	CRANKED EXTENSION KIT	
12	250104	WASHER FLAT M6	
1,2,3A-8,12	881709	WHEEL LOCK PUSH COMPLETE MAG	LEFT
1,2,3A-8,12	881710	WHEEL LOCK PUSH COMPLETE MAG	RIGHT
1,2,3A-8,12	901508	WHEEL LOCK PUSH COMPLETE MAG	PAIR
1, 2, 3B, 4-9,12	881711	WHEEL LOCK PUSH COMPLETE SPR	LEFT
1, 2, 3B, 4-9,12	881712	WHEEL LOCK PUSH COMPLETE SPR	RIGHT
1, 2, 3B, 4-9,12	901513	WHEEL LOCK PUSH COMPLETE SPR	PAIR

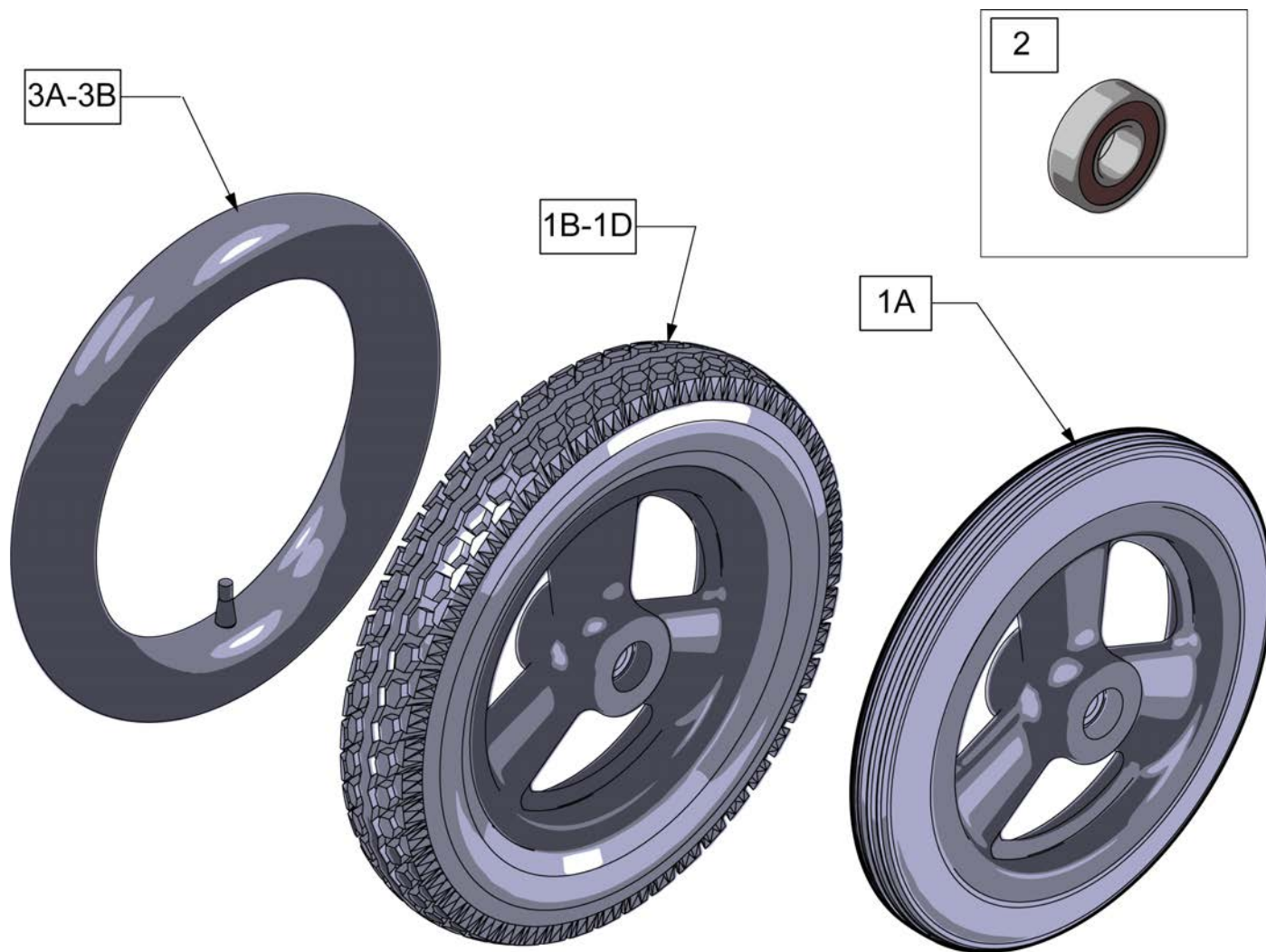
ATTENDANT WHEEL LOCK (S/N Prefix CGT)

NOTE: FITS CHAIRS W/ SERIAL NUMBER PREFIX CGT ONLY.

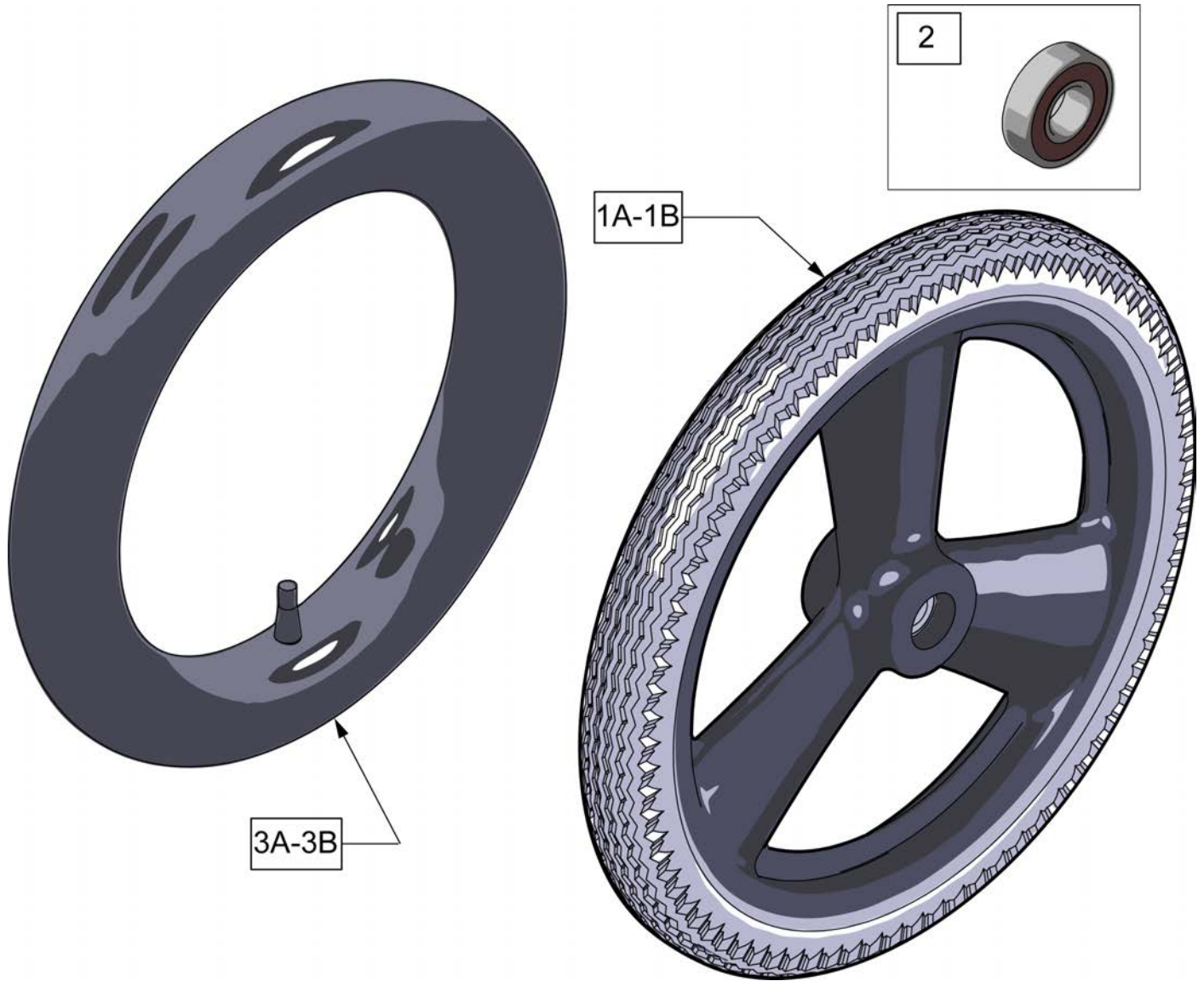


Pos.	Item Number	Description	Remarks
1	500695	PLATE WHEEL LOCK	
2	500675	WHEEL LOCK MOUNTING BLOCK	
3	463162	NUT PLATE M6 16MM SPACING	
4A	342016	ATTENDANT WHEEL LOCK CABLE ASSM SHORT	USED W/ 12" & 16 MAG WHEELS
4B	342017	ATTENDANT WHEEL LOCK CABLE ASSM LONG	USED W/ 20",22",&24" MAGS & 24" SPOKES
5	463161	NUT PLATE W/ STUD 1 SPACING	
6	221125	1/4 -20 x 1 1/4 HEX C/S	
7	106932	1/4 -20 NYLOCK NUT HIGH	
8	119952	REMOTE LOCK RIGHT SIDE US	RIGHT
8	119953	REMOTE LOCK LEFT SIDE US	LEFT
9A	234900	M6-60 SOC C/S BLK	USED W/ 12" & 16 MAG WHEELS
9B	201344	M6 x 70 SOC C/S SS	USED W/ 20",22",&24" MAGS & 24" SPOKES
10	506118	ATTENDANT WHEEL LOCK SPACER BLOCK	
11	201105	1/4 -20 NYLOCK NUT THIN	
12	106943	1/4 AN WASHER FLAT	
13	221140	1/4 -20 x 1 3/4 HEX C/S	
14	506185	BEARING ATTN. W.L. CABLE	
15	481561	BEARING SLEEVE FLNG .312ID x .25L	
16	506182	ATTENDANT W.L. ACTUATION PEDAL	

Pos.	Item Number	Description	Remarks
17	123517	ATTENDANT WHL MOUNT BRACKET	
18	281048	SHOULDER SCREW .312 DIA x .375 LONG	
19	321146	SPRING EXTENSION .25DIA 2.75 LONG .032 WIDE SS	STAINLESS
20	281041	SHOULDER SCREW .312 DIA x 1.75 LONG	
21	560410	ZIP TIE BLACK	
22	506184	SPACER ATTENDANT WHEEL LOCK	
1-4A, 5-22	901522	ATTENDANT WHEEL LOCK ASSM SHORT MAG	12"-16" MAG WHEELS
1-4B, 5-22	901523	ATTENDANT WHEEL LOCK ASSM LONG MAG	20"-24" MAG WHEELS
1-3, 4B, 5-8, 9B, 10-22	901525	ATTENDANT WHEEL LOCK ASSM LONG SPK	24" SPOKE WHEELS



Pos.	Item Number	Description	Remarks
1A	101466	12 IN MAG POLY TIRE 3 SPOKE	Low Poly
1B	101661	12" MAG PNEU 3 SPOKE	
1C	101662	12" MAG PNEU INSRT 3 SPK	
1D	384706	TIRE PNEU 12-1/2" X 2-1/4"	Tire only
2	349500	1 1/8 X 1/2 BEARING	
3A	384736	INNER TUBE 12-1/2" X 2-1/4"	
3B	102972-001	12 1/2 IN AIRLESS INSERT	



Pos.	Item Number	Description	Remarks
1A	101667	16 IN MAG PNEU 3 SPOKE	
1B	101668	16 IN MAG PNEU W/INSERT	
1C	385237	16" X 1.75" PNEU TIRE	Tire Only
2	349500	1 1/8 X 1/2 BEARING	
3A	384738	16" X 1.75" INNER TUBE	
3B	102973-001	16IN AIRLESS INSERT	



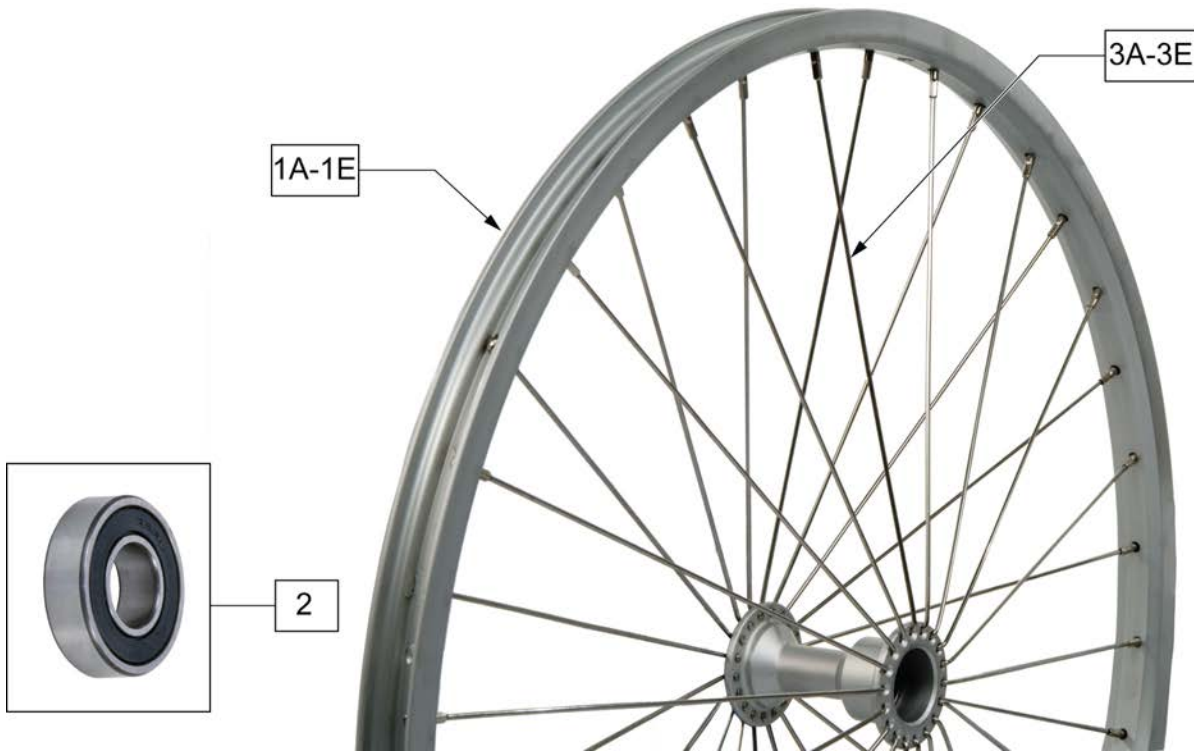
Pos.	Item Number	Description	Remarks
1-3	401094	20" MAG W/BRNG 6 SPOKE	20"
1-3	401093	22" MAG W/BRNG 6 SPOKE	22"(501mm)
1-3	401092	24" MAG W/BRNG 6 SPOKE	24"(540mm)
2	349500	1 1/8 X 1/2 BEARING	
3	521564	MAG BEARING SPACER	
4	101932	SPCR .194ID X .375 OD X .750	Used when previously ordered with Omit handrims or Natural Fit Handrims

(10/2010)

NOTE: THIS WHEEL UTILIZES SCREW MOUNT HANDRIMS - THE HANDRIM HAS A THREADED HOLE THAT MOUNTS THE HANDRIM TO THE WHEEL THROUGH A SPACER AND FASTNER.

NOTE: IF MAG WHEEL ASSEMBLY WAS ORDER WITH OUT HANDRIM AND A HANDRIM IS ADDED TO THE WHEEL QTY 6 OF 561037 AND 281175 MUST BE ORDERED TO PROPERLY MOUNT THE HANDRIM.

NOTE: THIS WHEEL UTILIZES SCREW MOUNT HANDRIMS - THE HANDRIM HAS A THREADED HOLE THAT MOUNTS THE HANDRIM TO THE WHEEL THROUGH A SPACER AND FASTNER.



Pos.	Item Number	Description	Remarks
1A	401001	WHEEL ASSM PUSH BUTTON 18"	18"
1B	401070	20" RIM ASSM PUSH BUTTON	20"
1C	401072	22" RIM ASSM PUSH BUTTON	22"(501mm)
1D	401074	24" RIM ASSM PUSH BUTTON	24"(540mm)
1E	401077	26IN RIM ASSM PUSH BUTTON	26"(590mm)
2	349500	1 1/8 X 1/2 BEARING	
3A	362247	SPOKE 154MM X 2.0MM	
3B	362250	QP SPOKE 201MM X 2.0MM	
3C	362275	QP SPOKE 226MM X 2.0MM	
3D	362300	QP SPOKE 244MM X 2.0MM	
3E	362325	QP SPOKE 270MM X 2.0MM	

NOTE: THIS WHEEL UTILIZES SCREW MOUNT HANDRIMS - THE HANDRIM HAS A THREADED HOLE THAT MOUNTS THE HANDRIM TO THE WHEEL THROUGH A SPACER AND FASTNER.



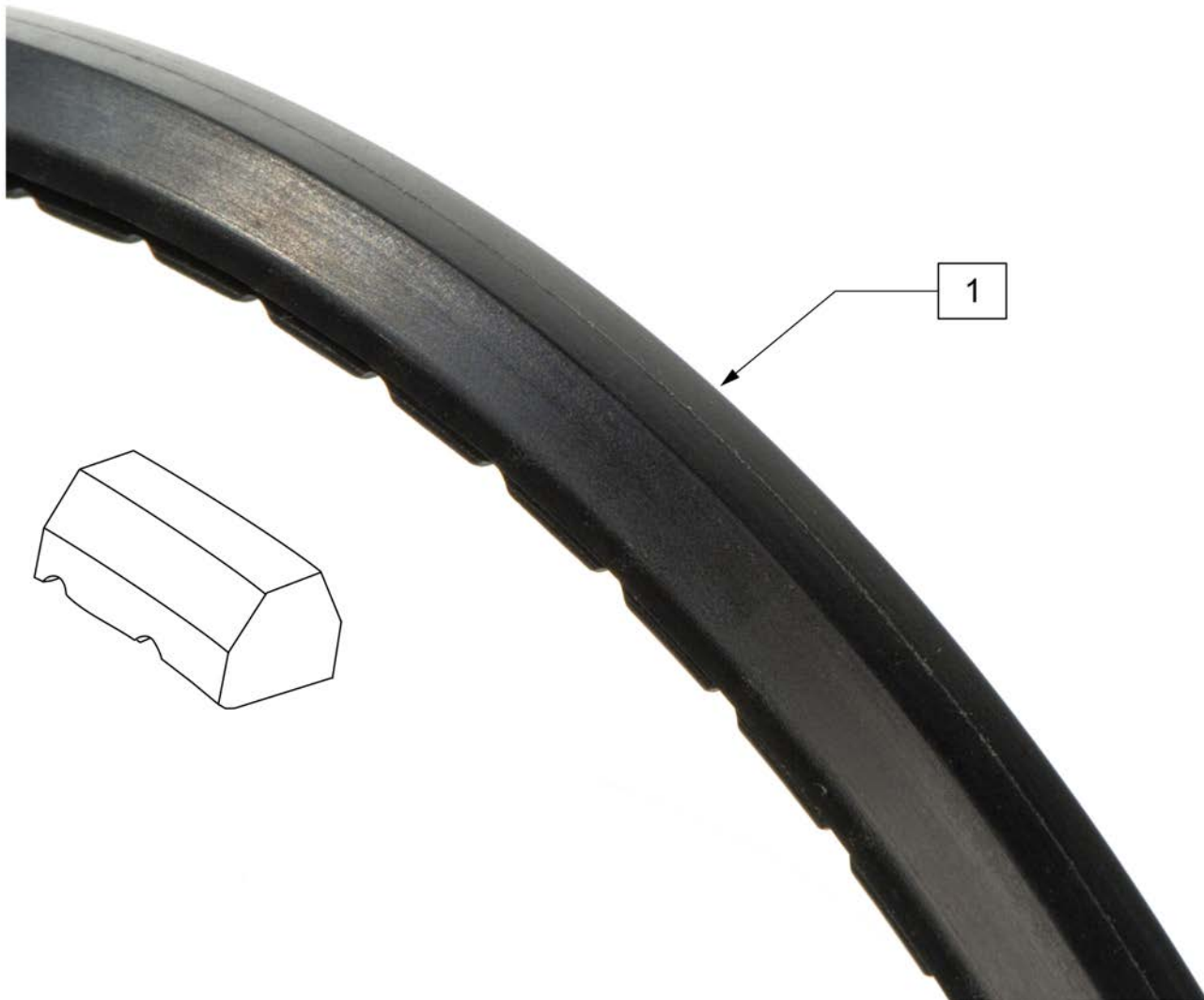
Pos.	Item Number	Description	Remarks
1A	116178	WHEEL ASSY MBL 20"	20" (451)
1B	116179	WHEEL ASSY MBL 22"	WHL RIM/SPOKE MBL 22 (501)
1C	116180	WHEEL ASSY MBL 24"	WHL RIM/SPOKE MBL 24 (540)
1D	116181	WHEEL ASSY MBL 25"	WHL RIM/SPOKE MBL 25 (559)
1E	116182	WHEEL ASSY MBL 26"	WHL RIM/SPOKE MBL 26 (590)
2	114097	BEARING, REPLACEMENT, MBL	12.7mm i.d. - 28mm o.d. - 8mm wide
3A	118100	MBL LT 20IN SPOKE RPLMNT KIT	Kit contains 6 inner and 6 outer spokes
3B	118101	MBL LT 22IN SPOKE RPLMNT KIT	Kit contains 6 inner and 6 outer spokes
3C	118102	MBL LT 24IN SPOKE RPLMNT KIT	Kit contains 6 inner and 6 outer spokes
3D	118103	MBL LT 25IN SPOKE RPLMNT KIT	Kit contains 6 inner and 6 outer spokes
3E	118104	MBL LT 26IN SPOKE RPLMNT KIT	Kit contains 6 inner and 6 outer spokes



Pos.	Item Number	Description	Remarks
1	384706	TIRE PNEU 12-1/2" X 2-1/4"	12-1/2" X 2-1/4"
1	385237	16" X 1.75" PNEU TIRE	
1	385225	TIRE PNEUMATIC 18"	18" x 1 3/8
1	385250	20" PNEUMATIC TIRE	20" x 1 3/8
1	385275	22" PNEUMATIC TIRE	22" x 1 3/8 (501mm)
1	385300	24" PNEUMATIC TIRE	24" x 1 3/8 (540mm)
1	385325	26" PNEUMATIC TIRE	26" x 1 3/8 (590mm)
1	384614	24" x 2.125 PNEUMATIC TIRE	24"x2 1/8 (540mm) used w/ M6



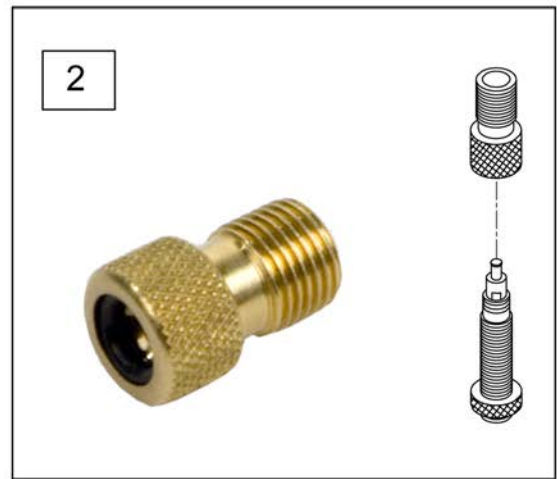
Pos.	Item Number	Description	Remarks
1	386232	20" POLY TIRE STD	20"
1	386242	22" POLY TIRE STD	22" (501mm)
1	386252	24" POLY TIRE STD	24" (540mm)



Pos.	Item Number	Description	Remarks
1	386262	20" LP POLY TIRE BR	20"
1	386263	22" LP POLY TIRE BR	22"(501mm)
1	386254	24" POLY LOW PROFILE	24"(540mm)



Pos.	Item Number	Description
1	385350	24" KEVLAR TIRE

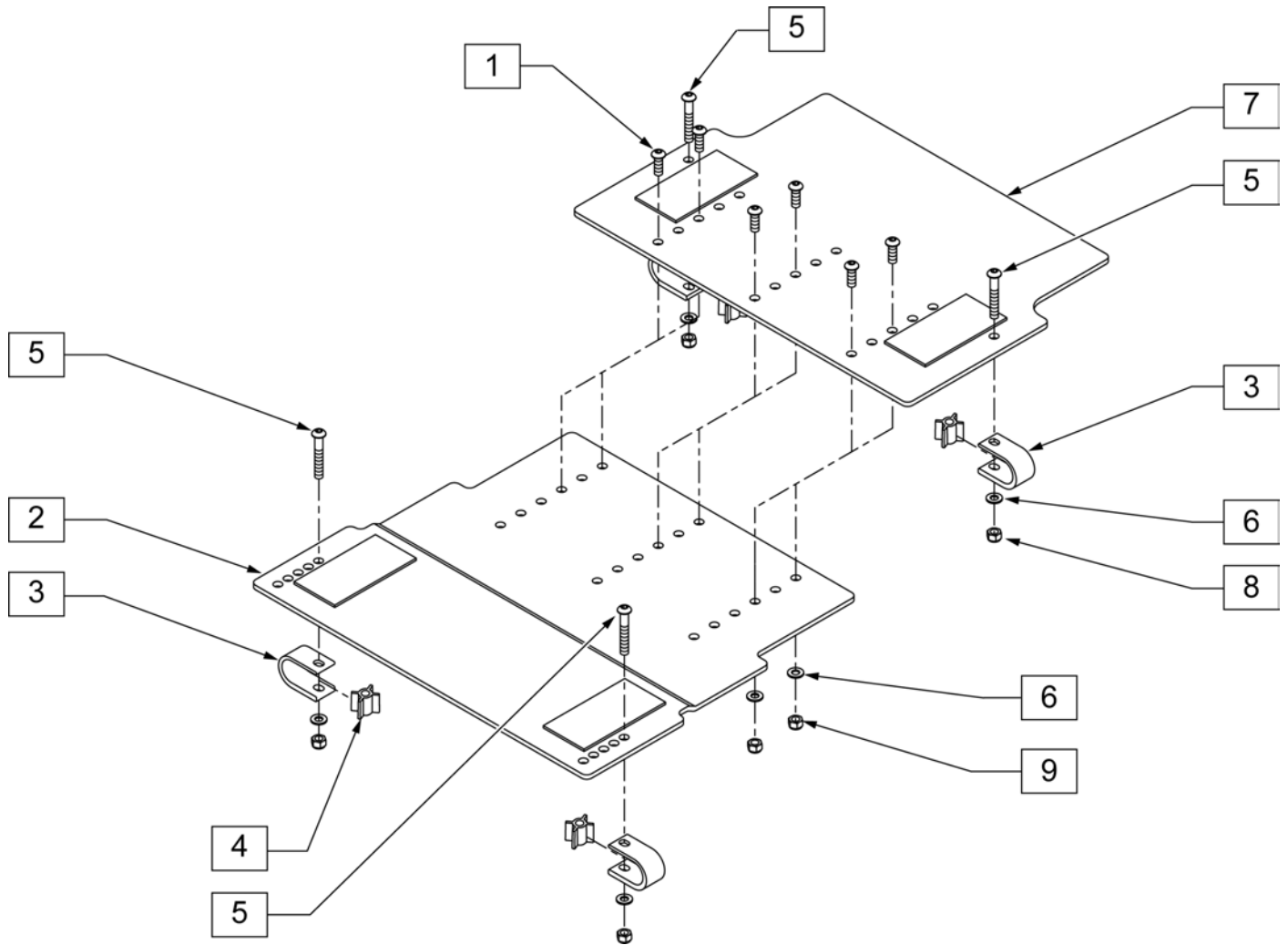


Pos.	Item Number	Description	Remarks
1A	382305	22" X 1" TUBE PRESTA VALVE	
1A	382330	24" TUBE PRESTA VALVE (540MM)	
1A	384545	QP 24" HT INNER TUBE (559MM)	
1A	382355	26" TUBE PRESTA VALVE (590MM)	
1A	384550	QP 26" HT INNER TUBE (700C)	
1B	384736	INNER TUBE 12-1/2" X 2-1/4"	
1B	384738	16" X 1.75" INNER TUBE	
1B	382255	TUBE 18" TIRE	18" X 1-3/4" TUBE
1B	382275	20" TUBE	20" 1-3/8" TUBE
1B	382300	22" TUBE	22" X 1-3/8" TUBE
1B	382336	TUBE PRIMO 24" 25-540 SV	24" X 1" TUBE
1B	382325	24 X 1.3/8IN TUBE REG	
1B	382334	TUBE INLINE 24 X 1.75	
1B	384551	26" X 1" TUBE SCHRADER	
1B	382350	26" TUBE	26" X 1-3/8" TUBE
1B	382361	TUBE 26 X 1.5/1.95/ S/V	
1B	382365	26 X 1.25/1.5 TUBE SHRADER	
1B	382375	24" x 2.125 TUBE	
1C	102972-001	12 1/2 IN AIRLESS INSERT	12-1/2" X 2-1/4"
1C	102973-001	16IN AIRLESS INSERT	16" X 1-3/4"
1C	102973-002	18IN AIRLESS INSERT	18" X 1-3/4"

Pos.	Item Number	Description	Remarks
1C	102973-003	20IN AIRLESS INSERT	20" X 1-3/8"
1C	102972-002	AIRLESS INSERT 20 X 2-1/8 P3	
1C	102973-004	22IN AIRLESS INSERT	22" X 1-3/8"
1C	102973-005	24IN AIRLESS INSERT	24" X 1-3/8"
1C	102972-003	AIRLESS INSERT 24 X 2-1/8	
1C	108259	26" AIRLESS INSERT	26" X 1-3/8"
2	381230	VALVE ADAPTER PRESTA	

NOTE: CENTER ROW OF HOLES AND HARDWARE OMITTED FROM 13", 14", AND 15" WIDE SEAT PANS.

NOTE: FITS CHAIRS W/ SERIAL NUMBER PREFIX CGT ONLY.

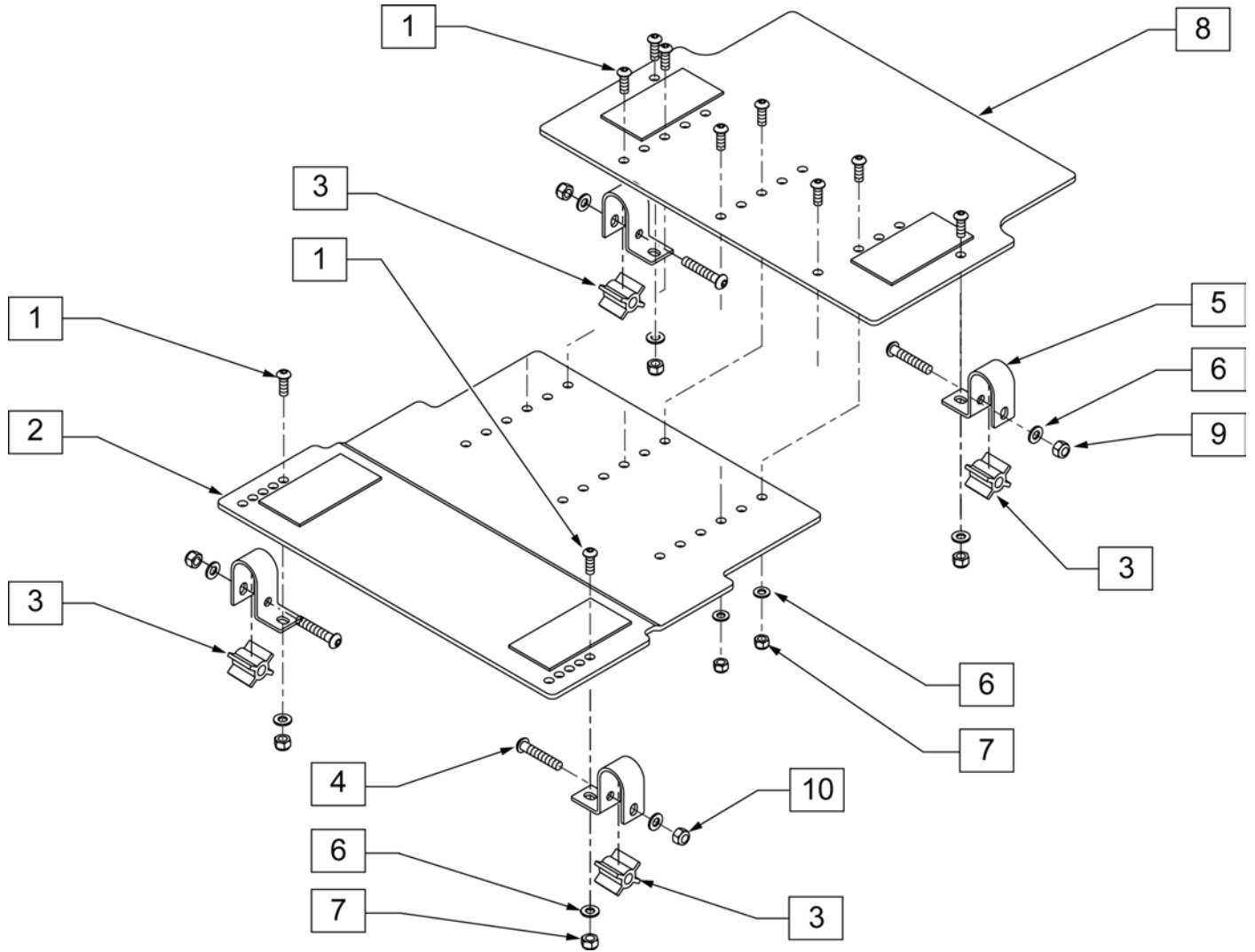


Pos.	Item Number	Description	Remarks
1*	226346	5/16 -24 x 3/4 BH C/S BLK ZN	
2	688181	SEAT PAN FRONT W/ VELCRO 13"	*NOTE:
2*	688182	SEAT PAN FRONT W/ VELCRO 14"	*NOTE:
2	688183	SEAT PAN FRONT W/ VELCRO 15"	*NOTE:
2	688184	SEAT PAN FRONT W/ VELCRO 16"	
2	688185	SEAT PAN FRONT W/ VELCRO 17"	
2	688186	SEAT PAN FRONT W/ VELCRO 18"	
2	688187	SEAT PAN FRONT W/ VELCRO 19"	
2	688188	SEAT PAN FRONT W/ VELCRO 20"	
2	688189	SEAT PAN FRONT W/ VELCRO 21"	
2	688190	SEAT PAN FRONT W/ VELCRO 22"	

Pos.	Item Number	Description	Remarks
3*	550684	CLAMP SEAT PAN	
4*	560771	SPACER SEAT PAN	
5*	226217	5/16 -18 x 2 BH C/S BLK	
6*	263100	5/16 AN WASHER FLAT	
7*	688192	SEAT PAN REAR W/ VELCRO 14"	*NOTE:
7	688193	SEAT PAN REAR W/ VELCRO 15"	*NOTE:
7	688194	SEAT PAN REAR W/ VELCRO 16"	
7	688195	SEAT PAN REAR W/ VELCRO 17"	
7	688196	SEAT PAN REAR W/ VELCRO 18"	
7	688197	SEAT PAN REAR W/ VELCRO 19"	
7	688198	SEAT PAN REAR W/ VELCRO 20"	
7	688199	SEAT PAN REAR W/ VELCRO 21"	
7	688200	SEAT PAN REAR W/ VELCRO 22"	
8*	106937	5/16 -24 NYLOCK NUT THIN	
9*	106939	5/16 -24 NYLOCK NUT THIN	
3-6, 8	881537	SEAT PAN BRACKET W/ HDWR	QTY 1 EACH (SEAT PAN REQ'S QTY OF 4)
1-9	703270	SEAT PAN ASSM IRIS 14"	*NOTE:
1-9	703271	SEAT PAN ASSM IRIS 15"	*NOTE:
1-9	703272	SEAT PAN ASSM IRIS 16"	
1-9	703273	SEAT PAN ASSM IRIS 17"	
1-9	703274	SEAT PAN ASSM IRIS 18"	
1-9	703275	SEAT PAN ASSM IRIS 19"	
1-9	703276	SEAT PAN ASSM IRIS 20"	
1-9	703277	SEAT PAN ASSM IRIS 21"	
1-9	703278	SEAT PAN ASSM IRIS 22"	

NOTE: FITS CHAIRS W/ SERIAL NUMBER PREFIX CGT ONLY.

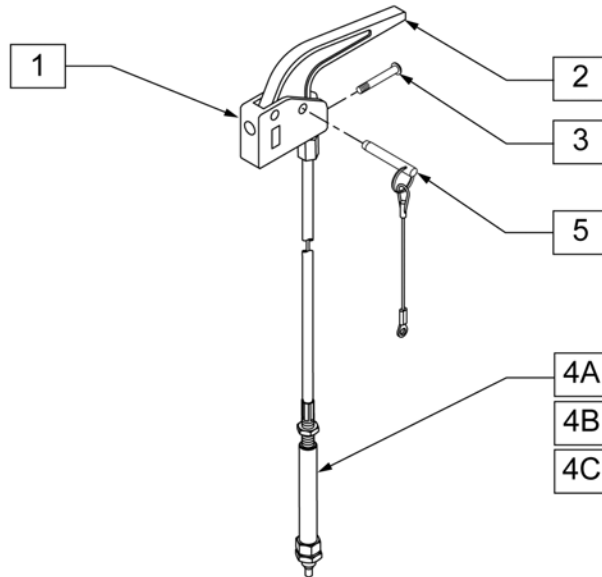
NOTE: CENTER ROW OF HOLES AND HARDWARE OMITTED FROM 13", 14", AND 15" WIDE SEAT PANS.



Pos.	Item Number	Description	Remarks
1	226346	5/16 -24 x 3/4 BH C/S BLK ZN	
2	688181	SEAT PAN FRONT W/ VELCRO 13"	USED FOR 14" WIDE
2	688182	SEAT PAN FRONT W/ VELCRO 14"	USED FOR 15" WIDE
2	688183	SEAT PAN FRONT W/ VELCRO 15"	USED FOR 16" WIDE
2	688184	SEAT PAN FRONT W/ VELCRO 16"	USED FOR 17" WIDE
2	688185	SEAT PAN FRONT W/ VELCRO 17"	USED FOR 18" WIDE
2	688186	SEAT PAN FRONT W/ VELCRO 18"	USED FOR 19" WIDE
2	688187	SEAT PAN FRONT W/ VELCRO 19"	USED FOR 20" WIDE
2	688188	SEAT PAN FRONT W/ VELCRO 20"	USED FOR 21" WIDE
2	688189	SEAT PAN FRONT W/ VELCRO 21"	USED FOR 22" WIDE

Pos.	Item Number	Description	Remarks
3	560771	SPACER SEAT PAN	
4	226218	5/16 -18 x 1 3/4" BH C/S BLK	
5	506289	CLAMP SEAT PAN 2" DROP SEAT	
6	263100	5/16 AN WASHER FLAT	
7	106939	5/16 -24 NYLOCK NUT THIN	
8	688191	SEAT PAN REAR W/ VELCRO 13"	USED FOR 14" WIDE
8	688192	SEAT PAN REAR W/ VELCRO 14"	USED FOR 15" WIDE
8	688193	SEAT PAN REAR W/ VELCRO 15"	USED FOR 16" WIDE
8	688194	SEAT PAN REAR W/ VELCRO 16"	USED FOR 17" WIDE
8	688195	SEAT PAN REAR W/ VELCRO 17"	USED FOR 18" WIDE
8	688196	SEAT PAN REAR W/ VELCRO 18"	USED FOR 19" WIDE
8	688197	SEAT PAN REAR W/ VELCRO 19"	USED FOR 20" WIDE
8	688198	SEAT PAN REAR W/ VELCRO 20"	USED FOR 21" WIDE
8	688199	SEAT PAN REAR W/ VELCRO 21"	USED FOR 22" WIDE
9	202116	5/16 NYLOCK NUT THIN BLK	
1, 3-7,9	108158	DROP SEAT PAN MNT KIT (4)	QTY 4
1-4,6-9	703280	DROP SEAT PAN ASSM IRIS 14"	
1-4,6-9	703281	DROP SEAT PAN ASSM IRIS 15"	
1-4,6-9	703282	DROP SEAT PAN ASSM IRIS 16"	
1-4,6-9	703283	DROP SEAT PAN ASSM IRIS 17"	
1-4,6-9	703284	DROP SEAT PAN ASSM IRIS 18"	
1-4,6-9	703285	DROP SEAT PAN ASSM IRIS 19"	
1-4,6-9	703286	DROP SEAT PAN ASSM IRIS 20"	
1-4,6-9	703287	DROP SEAT PAN ASSM IRIS 21"	
1-4,6-9	703288	DROP SEAT PAN ASSM IRIS 22"	

NOTE: FITS CHAIRS W/ SERIAL NUMBER PREFIX CGT ONLY.

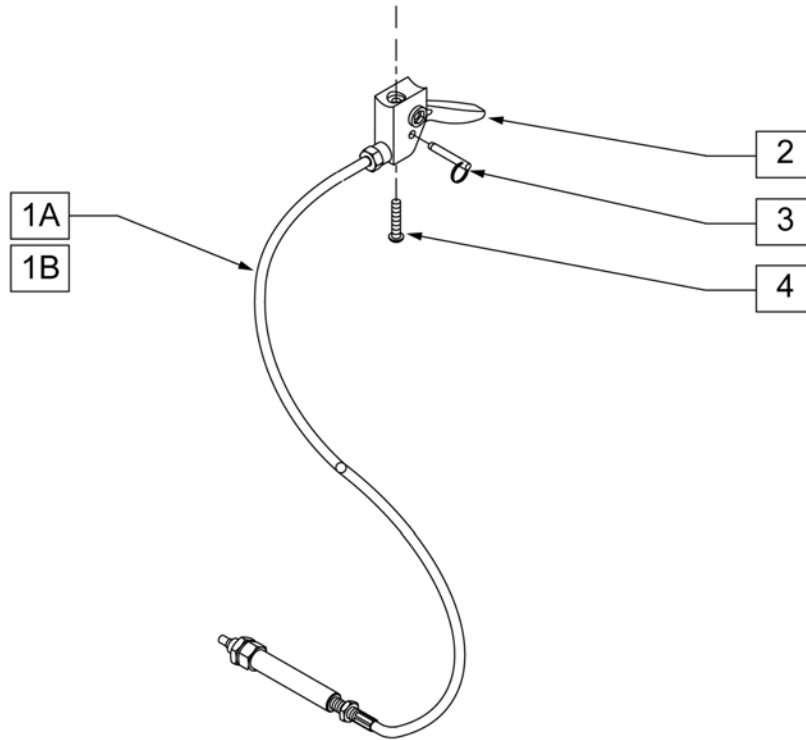


TILT CABLE REFERENCE GUIDE

BACK TYPE	CABLE LENGTH AND PART NUMBER		
	SHORT	MEDIUM	LONG
STROLLER HANDLE BACKPOST (LOW)	101318-001		
STROLLER HANDLE BACKPOST (MEDIUM)		101318-002	
STROLLER HANDLE BACKPOST (TALL)			101318-003
MEDIUM RECLINING BACKS		101318-002	
TALL RECLINING BACKS			101318-003

Pos.	Item Number	Description	Remarks
1, 2	580110	CYLINDER LOCK LEVER ASSM QT/QR/P5	
3	281120	10/32 x 5/8 PAN HD PHIL	
4A	101318-001	CABLE ASSEMBLY CGTS - SHORT	41" Long
4B	101318-002	CABLE ASSEMBLY CGTS - MEDIUM	44" Long
4C	101318-003	CABLE ASSEMBLY CGTS - LONG	47" Long
5	349021	TRIGGER RELEASE PIN TS/QT/P5	

NOTE: FITS CHAIRS W/ SERIAL NUMBER PREFIX CGT ONLY.



TILT CABLE REFERENCE GUIDE

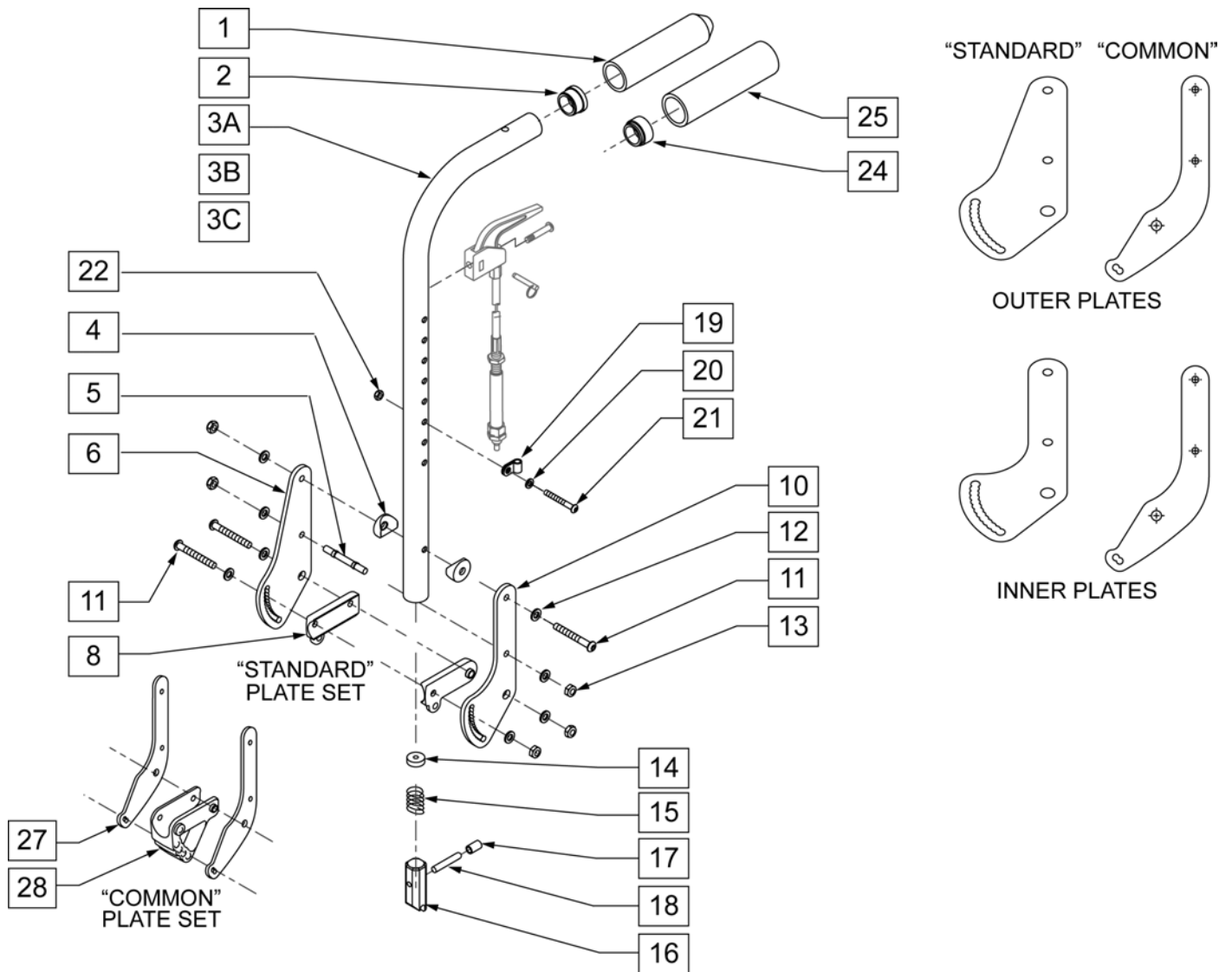
BACK TYPE	CABLE LENGTH AND PART NUMBER	
	X-LONG	XX-LONG
HEIGHT ADJ BACK (STANDARD PUSH HANDLE)	101318-004	
HEIGHT ADJ BACK (LONG PUSH HANDLE)		101318-005

Pos.	Item Number	Description	Remarks
1A	101318-004	CABLE ASSM X-LG W/INSTRCT	51.5" LONG (X-LONG)
1B	101318-005	CABLE ASSM 2X-LG W/INSTRCT	57.5" LONG (XX-LONG)
2, 3	580109	PLUNGER PIN LEVER ASSM	
4	281120	10/32 x 5/8 PAN HD PHIL	

NOTE: ORDER HARDWARE FOR IRIS BACK BRACKETS BASED ON "BACK PLATE REPLACEMENT BOLT KIT" PAGE.

NOTE: HOLE ON TOP OF STROLLER HANDLE IS FOR USE WITH "STROLLER HANDLE EXTENSION-REMOVABLE" PAGE.

NOTE: FITS CHAIRS W/ SERIAL NUMBER PREFIX CGT ONLY.



Pos.	Item Number	Description	Remarks
1	920027	QUICKIE GRIP 1" W/INSTR SHEET	
2	561002	1" INSERT PLUG .083	
4	561004	1" SADDLE 1/4 HOLE	
5	481042	BACK RELEASE STOP PIN QTS	
6	500584	BACK PLATE OUTER	Standard Outer Plate

Pos.	Item Number	Description	Remarks
8	560512	SADDLE BACK REST -RIGHT	RIGHT
9	560513	SADDLE BACK REST -LEFT	LEFT
10	500673	BACK PLATE INNER	Standard Inner Plate
11	221066	1/4 -28 x 2 BHCS 1.70 SHOULDER	
12	106943	WASHER FLAT AN 1/4 ROHS	
13	106935	NUT NYLOCK THIN 1/4-28 ROHS	
14	483020	S/A SPRING RETAINER	
15	321110	S/A LATCH SPRING	
16	483019	BACK RELEASE LATCH	
17	126238	PUSH ON ROUND CAP	
18	481084	BACK RELEASE PIN Z2/QT/EX	
19	349511	1/2 ID PLST CLAMP BLK	
20	261204	#10 AN WASHER .063	
21	226032-QU	10-32 x 1 1/2 BH C/S BLK	
22	200100-QU	10-32 NYLOCK NUT	
24	561082	1" TUBE END BUSHING THIN	
25	920023	QUICKIE GRIP 1" W/ HOLE W/ INSTRUCTIONS	
27	500689	BACKPLATE COMMON CGTS	Common Inner & Outer Plate
28	560517	BLOCK ANGLE BACKREST MOUNT	
1,2,3A	842080	STROLLER HANDLE W/ FOAM STANDARD ZPS/P5/QT	
1,2,3B	842079	STROLLER HANDLE W/ FOAM MED ZPS/QT	
1,2,3C	842081	STROLLER HANDLE W/ FOAM TALL ZPS/QT	
14-18,23	920484	SLIDE LATCH KIT	
19-22	920485	CABLE GUIDE W/ HDWR	
	>>>>>>>>	COMMON BACK PLATES	
1,2,3A,4,5,11,18,27,28	920922	STROLLER STD W/ COMMON PLT R ASSM-STD	STD/LOW - RIGHT
1,2,3A,4,5,11-18,27,28	104648	STROLLER STD W/ COMMON PLT L ASSM	STD/LOW - LEFT
1,2,3B,4,5,11,18,27,28	920923	STROLLER MEDIUM W/ COMMON PLT R ASSM-MED	MEDIUM - RIGHT
1,2,3B,4,5,11-18,27,28	104649	STROLLER MEDIUM W/ COMMON PLT L ASSM	MEDIUM - LEFT
1,2,3C,4,5,11,18,27,28	920924	STROLLER TALL W/ COMMON PLT R ASSM-TALL	TALL - RIGHT
1,2,3C,4,5,11-18,27,28	104651	STROLLER TALL W/ COMMON PLT L ASSM	TALL - LEFT
	>>>>>>>>	COMMON BACK PLATES-Used w/Stroller Handle Ext	
3A,4,5,11,12-18,24-27	104686	STROLLER STD W/ COMMON PLT R W/ EXT	STD/LOW - RIGHT
3A,4,5,11,12-18,24-27	104693	STROLLER STD W/ COMMON PLT L W/ EXT	STD/LOW - LEFT
3B,4,5,11,12-18,24-27	104694	STROLLER MEDIUM W/ COMMON PLT R W/ EXT	MEDIUM - RIGHT
3B,4,5,11,12-18,24-27	104697	STROLLER MEDIUM W/ COMMON PLT L W/ EXT	MEDIUM - LEFT
3C,4,5,11,12-18,24-27	104698	STROLLER TALL W/ COMMON PLT R W/ EXT	TALL - RIGHT
3C,4,5,11,12-18,24-27	104708	STROLLER TALL W/ COMMON PLT L W/ EXT	TALL - LEFT
	>>>>>>>>	STANDARD BACK PLATES	
1,2,3A,4-6,10-18,26	104628	STROLLER STD W/ STD PLT R ASSM	STD/LOW - RIGHT
1,2,3A,4-6,10-18,26	104652	STROLLER STD W/ STD PLT L ASSM	STD/LOW - LEFT
1,2,3B,4-6,10-18,26	104630	STROLLER MEDIUM W/ STD PLT R ASSM	MEDIUM - RIGHT
1,2,3B,4-6,10-18,26	104653	STROLLER MEDIUM W/ STD PLT L ASSM	MEDIUM - LEFT
1,2,3C,4-6,10-18,26	104631	STROLLER TALL W/ STD PLT R ASSM	TALL - RIGHT

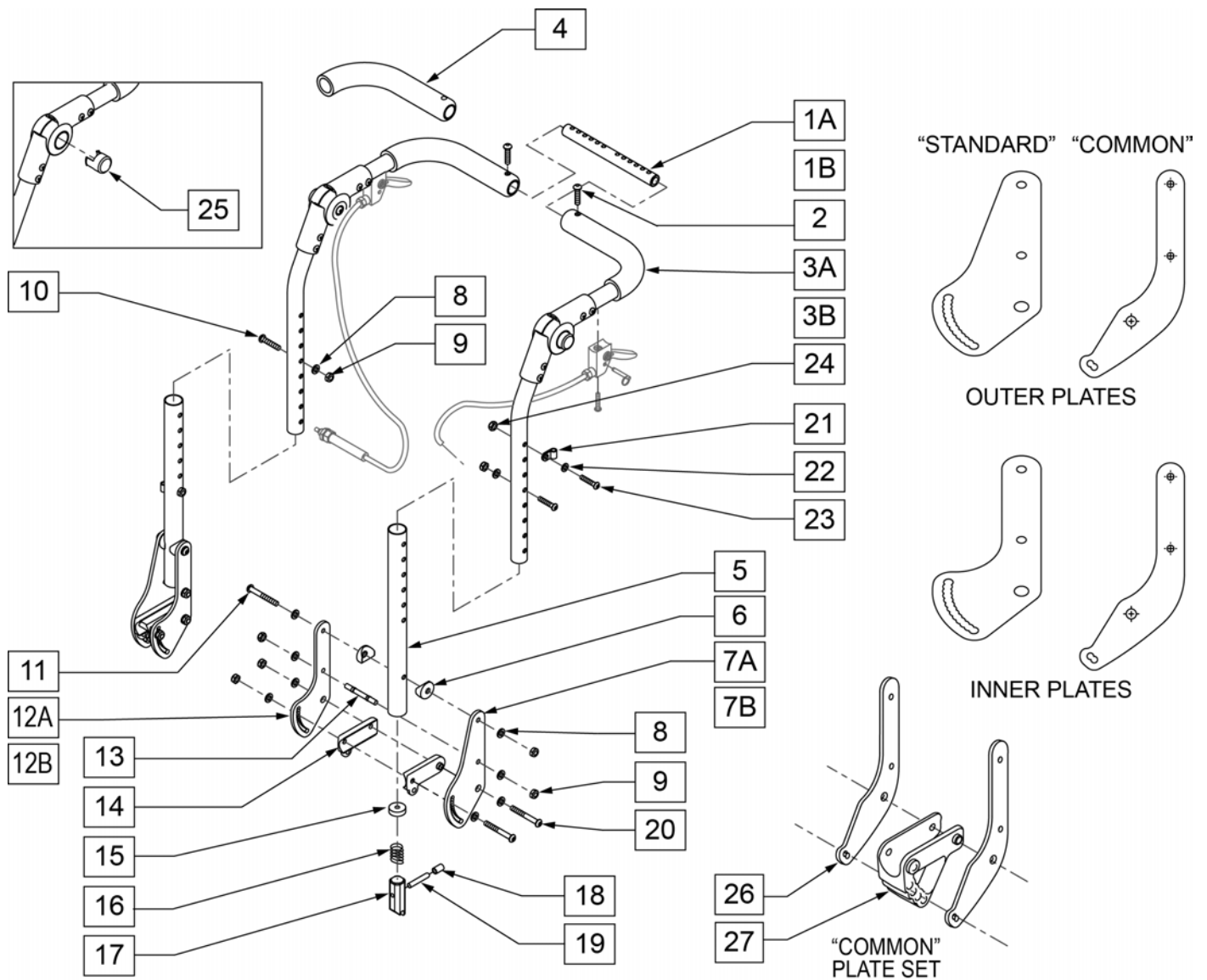
Pos.	Item Number	Description	Remarks
1,2,3C,4-6,10-18,26	104655	STROLLER TALL W/ STD PLT L ASSM	TALL - LEFT
	>>>>>>>>	STANDARD BACK PLATES-Used w/Stroller Handle Ext	
3A,4,5,6,10-18,24-26	104709	STROLLER STD W/ STANDARD PLT R W/ EXT	STD/LOW - RIGHT
3A,4,5,6,10-18,24-26	104712	STROLLER STD W/ STANDARD PLT L W/ EXT	STD/LOW - LEFT
3B,4,5,6,10-18,24-26	104713	STROLLER MEDIUM W/ STANDARD PLT R W/ EXT	MEDIUM - RIGHT
3B,4,5,6,10-18,24-26	104714	STROLLER MEDIUM W/ STANDARD PLT L W/ EXT	MEDIUM - LEFT
3C,4,5,6,10-18,24-26	104715	STROLLER TALL W/ STANDARD PLT R W/ EXT	TALL - RIGHT
3C,4,5,6,10-18,24-26	104716	STROLLER TALL W/ STANDARD PLT L W/ EXT	TALL - LEFT
3A,24,25	842067	EXT STROLLER HANDLE STANDARD	STD/LOW - USED W/ STROLLER HANDLE EXT
3B,24,25	842066	EXT STROLLER HANDLE MEDIUM	MEDIUM - USED W/ STROLLER HANDLE EXT
3C,24,25	842068	EXT STROLLER HANDLE TALL	TALL - USED W/ STROLLER HANDLE EXT

NOTE: ITEM 4 - ORDER CABLE ASSEMBLY SEPERATELY BASED ON "TILT HANDLE-CABLE ASSM FOR HEIGHT ADJ BACK" PAGE.

NOTE: ITEM 20 - ORDER HARDWARE FOR IRIS BACK BRACKETS BASED ON "BACK PLATE REPLACEMENT BOLT KIT" PAGE.

NOTE: FITS CHAIRS W/ SERIAL NUMBER PREFIX CGT ONLY.

NOTE: SEE "BACKPLATE REPLACEMENT BOLT KIT" REFERENCE TABLE ATTACHED.

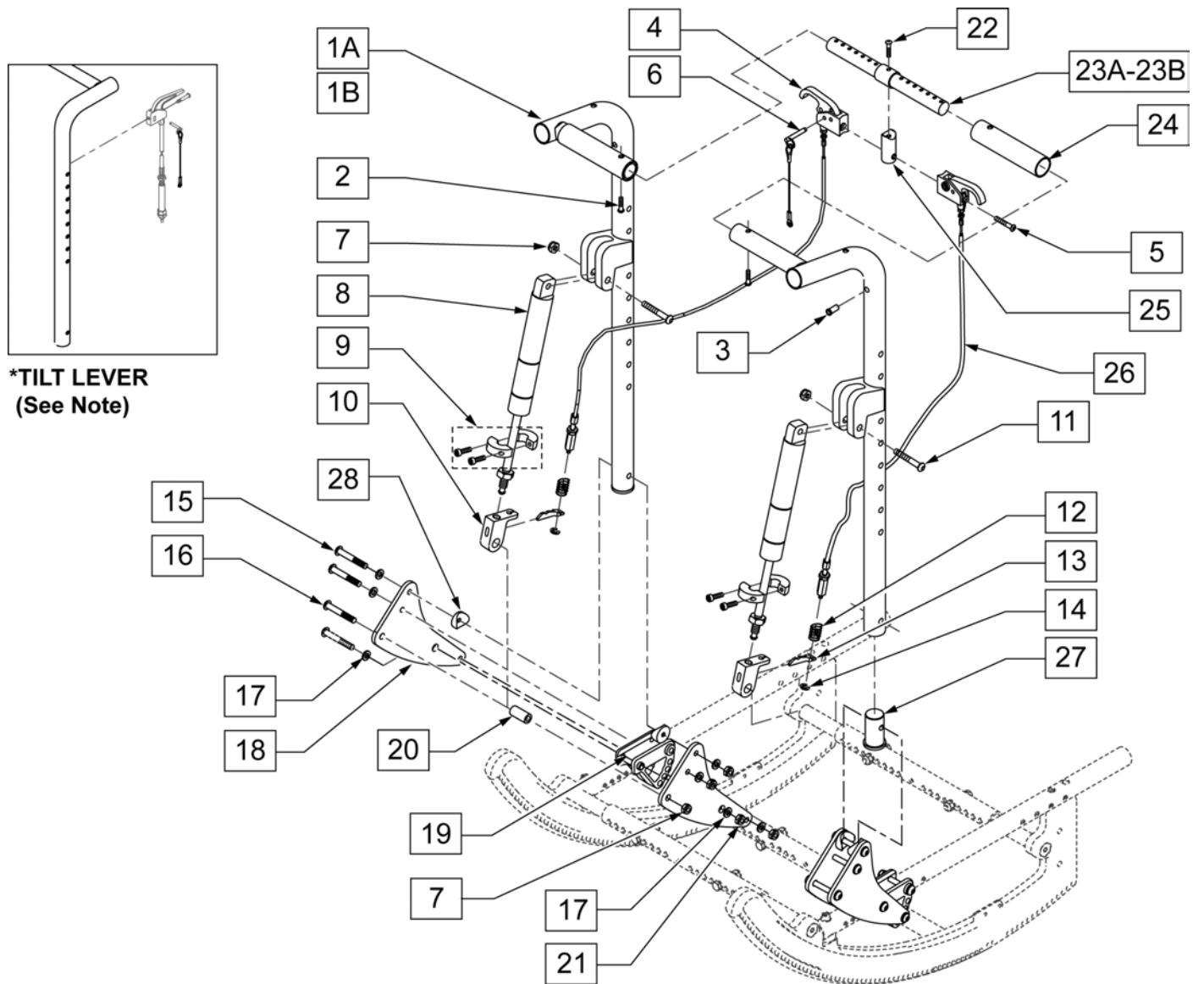


Pos.	Item Number	Description	Remarks
1A	521272	SHAFT GROWTH HANDLE 14 - 19 WIDE	
1B	521392	SHAFT GROWTH HANDLE 17 - 22 WIDE	
2	226168	1/4 -28 x .875 BH C/S	
3A	681434	ADJUSTABLE HEIGHT ADJ PH -STANDARD	RIGHT
3A	681435	ADJUSTABLE HEIGHT ADJ PH -STANDARD	LEFT
3B	681436	ADJUSTABLE HEIGHT ADJ PH -TALL	RIGHT
3B	681437	ADJUSTABLE HEIGHT ADJ PH -TALL	LEFT
4	560638	FOAM GRIP .840 ID SHORT	
5	520757	BACK FRAME LOWER TUBE	
6	561004	1 SADDLE 1/4 HOLE	
7A	500584	BACK PLATE OUTER	
7B	500585	BACK PLATE OUTER OFFSET	
8	106943	WASHER FLAT AN 1/4 ROHS	
9	106935	NUT NYLOCK THIN 1/4-28 ROHS	
10	226223	1/4 -28 x 1 1/4 BH C/S BLK	
11	221066	1/4 -28 x 2 BHCS 1.70 SHOULDER	
12A	500673	BACK PLATE INNER	
12B	500674	BACK PLATE INNER OFFSET	
13	481042	BACK RELEASE STOP PIN QTS	
14	560512	SADDLE BACK REST	RIGHT
14	560513	SADDLE BACK REST	LEFT
15	483020	S/A SPRING RETAINER	
16	321110	S/A LATCH SPRING	
17	560173	S/A LATCH .885 OD	
18	126238	PUSH ON ROUND CAP	
19	481084	BACK RELEASE PIN Z2/QT/EX	
21	349511	1/2 ID PLASTIC CLAMP BLK	
22	261204	#10 AN WASHER .063	
23	226032-QU	10-32 x 1 1/2 BH C/S BLK	
24	200100-QU	10-32 NYLOCK NUT	
25	483317	PUSH BUTTON MULTI POSITN HNGE	
26	500689	BACKPLATE COMMON CGTS	
27	560517	BLOCK ANGLE BACKREST MOUNT	
5, 15-19	681111	ADJUSTABLE HEIGHT ADJ PH LOWER TUBE W/ LATCH	
1A-3A, 8-10	681440	STROLLER HANDLE -STANDARD 14-19 WIDE	
1B-3A, 8-10	681441	STROLLER HANDLE -STANDARD 17-22 WIDE	
1A-3B, 8-10	681442	STROLLER HANDLE -LONG 14-19 WIDE	
1B-3B, 8-10	681443	STROLLER HANDLE -LONG 17-22 WIDE	
1A-3A, 4-7A, 8-12A, 13-24	921554	ADJUSTABLE HEIGHT ADJ PH STANDARD 14-19 WIDE S/PLATE	Complete Retro Kit
1B-3A, 4-7A, 8-12A, 13-24	921555	ADJUSTABLE HEIGHT ADJ PH STANDARD 17-22 WIDE S/PLATE	Complete Retro Kit
1A-3B, 4-7A, 8-12A, 13-24	921556	ADJUSTABLE HEIGHT ADJ PH TALL 14-19 WIDE S/PLATE	Complete Retro Kit
1B-3B, 4-7A, 8-12A, 13-24	921557	ADJUSTABLE HEIGHT ADJ PH TALL 17-22 WIDE S/PLATE	Complete Retro Kit

NOTE: ORDER HARDWARE FOR IRIS BACK BRACKETS BASED ON *BACK PLATE REPLACEMENT BOLT KIT* PAGE.

NOTE: FITS CHAIRS W/ SERIAL NUMBER PREFIX CGT ONLY.

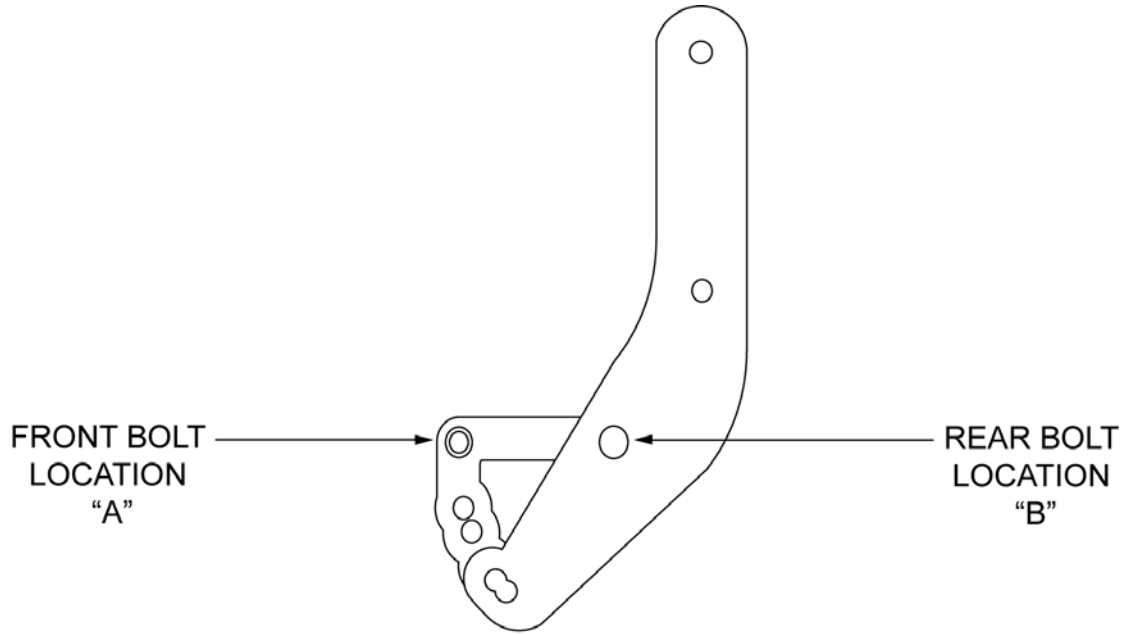
NOTE: NEW TILT RELEASE TRIGGERS WILL BE NEEDED IF SWITCHING FROM HT/ANGLE ADJUSTABLE BACK TO RECLINING BACK. SHORTER TILT CABLES MAY ALSO BE REQUIRED.



***TILT LEVER
(See Note)**

Pos.	Item Number	Description	Remarks
1A	541505	BACK TUBE WLDMNT L TALL QTS	LEFT
1A	541504	BACK TUBE WLDMNT R TALL QTS	RIGHT
1B	541503	BACK TUBE WLDMNT L MED QTS	LEFT

Pos.	Item Number	Description	Remarks
1B	541502	BACK TUBE WLDMNT R MED QTS	RIGHT
2	226110	1/4 -28 x 1 CH C/S	
3	341497	10-32 x .020 -.130 RIVNUT GOLD	
4	580111	CYLINDER LOCK LEVER ASSM RECLINER	
5	281120	10-32 x 5/8 PAN HD PHIL	
6	349021	TRIGGER RELEASE PIN TS/QT/P5	
7	106937	5/16 -18 NYLOCK NUT THIN	
8	342065	BLOC-O-LIFT 200N x 11.58	
9	342049	10mm ID SPLIT COLLAR	
10	880148	GAS SPRING BLOCK W/ BUSHING QTS	
11	222108	5/16 -18 x 1 1/4 BH C/S	
12	321141	.650L x 6 COIL SPRING	
13	560686	GAS SPRING LEVER T45	
14	342000	1/4" E-CLIP	
15	221066	1/4 -28 x 2 BHCS 1.70 SHOULDER	
16	106983	5/16 -18 x 2 BH C/S SHORT THREAD	
17	106943	1/4" AN WASHER FLAT	
18	507306	PLATE SIDE RECLINING BACK	
19	560517	BLOCK ANGLE BACKREST MOUNT	
20	483179	RECLINING BACK PIVOT STUD QTS	
21	106935	NUT NYLOCK THIN 1/4-28 ROHS	
22	222256	5/16 -18 x 1 1/2 BH C/S	
23	507310	ADJUSTABLE BAR RELCINING BACK	
24	560664	FOAM GRIP RECLINING BACK QTS	
25	483139	T45 RELEASE LEVER MOUNTING BLOCK	
26	342057	CYLINDER LOCK CABLE ASSM	
27	483169	RECLINING BACK TUBE PLUG QTS	
28	561004	1 SADDLE 1/4 HOLE	
1B, 2-28	921551	RECLINING BACK RETRO KIT IRIS -MED	
1-28	921552	RECLINING BACK RETRO KIT IRIS -TALL	

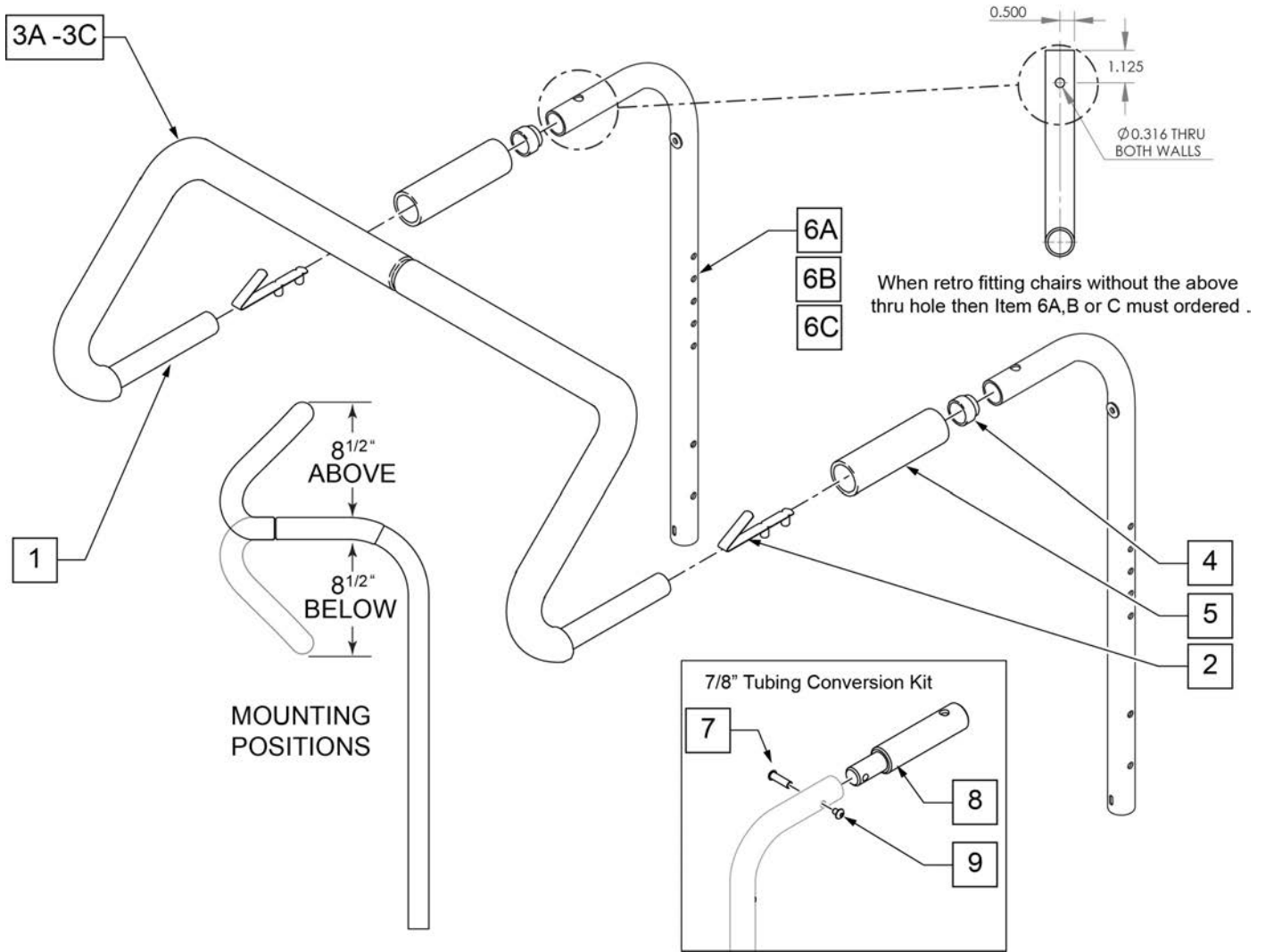


SHOWN: LEFT SIDE OFFSET OUTER PLATE
 NOTE: BOLT QUANTITIES ARE 2 PER SIDE

BACK PLATE BOLT KIT REFERENCE GUIDE

ACCESSORY TYPE	BOLT LENGTH AND PART NUMBER				
	2"	2 1/4"	2 1/2"	2 3/4"	3"
	221066	221067	221061	221062	221063
DUAL POST ARMREST				AB	
DUAL POST WITH TRANSIT		A		B	
DUAL POST FLIP-BACK WITH TRANSIT			A		B
OTHER	AB				
OTHER WITH TRANSIT		AB			

Pos.	Item Number	Description
1	221066	1/4-28 X 2 BHCS 1.70 SHLDR
1	221067	1/4-28 X 2-1/4 BHCS 1.90 SHLDR
1	221061	1/4-28 x 2 1/2 BH C/S
1	221062	1/4-28 x 2 3/4 BH C/S
1	221063	1/4-28 x 3 BH C/S



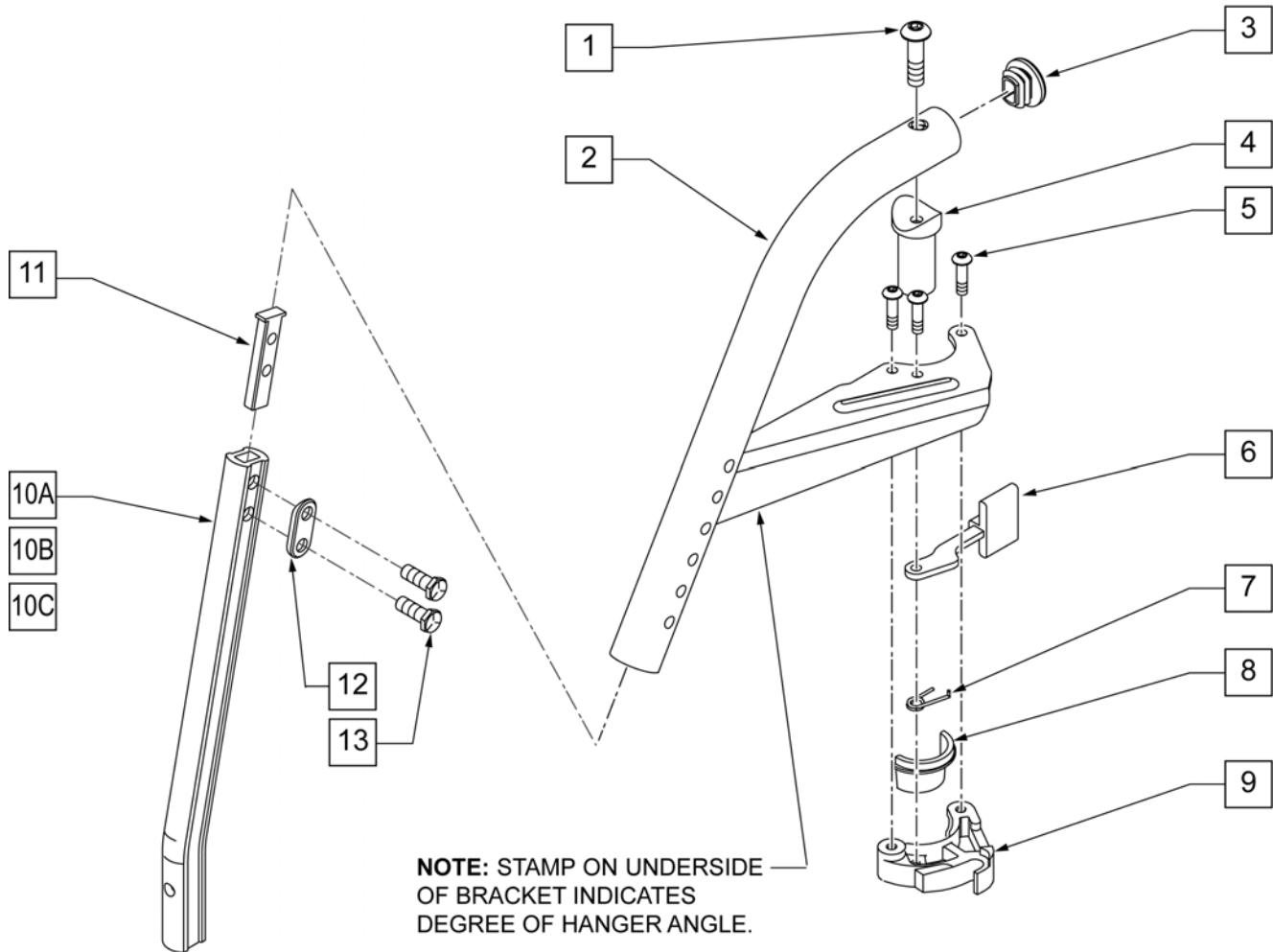
Pos.	Item Number	Description	Remarks
2	301108	5/16 SNAP BUTTON DUAL ONE SIDE	
3A	560615	STROLLER EXTENSION GRIP 10 -13"	10 -13" WIDE
3B	560616	STROLLER EXTENSION GRIP 14 -17"	14 -17" WIDE
3C	560617	STROLLER EXTENSION GRIP 18 -20"	18 -20" WIDE
4	561082	1" TUBE END BUSHING THIN	
5	920023	QUICKIE GRIP 1 W/ HOLE	
1, 2, 3A	842050	STROLLER EXTENSION ASSM 10"	
1, 2, 3A	842051	STROLLER EXTENSION ASSM 11"	
1, 2, 3A	842052	STROLLER EXTENSION ASSM 12"	
1, 2, 3A	842053	STROLLER EXTENSION ASSM 13"	
1, 2, 3B	842054	STROLLER EXTENSION ASSM 14"	
1, 2, 3B	842055	STROLLER EXTENSION ASSM 15"	
1, 2, 3B	842056	STROLLER EXTENSION ASSM 16"	
1, 2, 3B	842057	STROLLER EXTENSION ASSM 17"	
1, 2, 3C	842058	STROLLER EXTENSION ASSM 18"	
1, 2, 3C	842059	STROLLER EXTENSION ASSM 19	
1, 2, 3C	842063	STROLLER EXTENSION ASSM 20	
6A	842080	STROLLER HANDLE W/ FOAM STANDARD ZPS/P5/QT	STANDARD/LOW

Pos.	Item Number	Description	Remarks
6B	842079	STROLLER HANDLE W/ FOAM MED ZPS/QT	MEDIUM
6C	842081	STROLLER HANDLE W/ FOAM TALL ZPS/QT	TALL
7-9	125324	STRLLR HNDL CNVERSN KIT 7/8 PH	To fit to 7/8" Push Handle

NOTE: Stroller handle extension works with 1" tubing backrest only. Example: DAB on Q2 or Standard backrest on positioning chairs.

NOTE: Not compatible with Swing-Away Adjustable Stroller Handle.

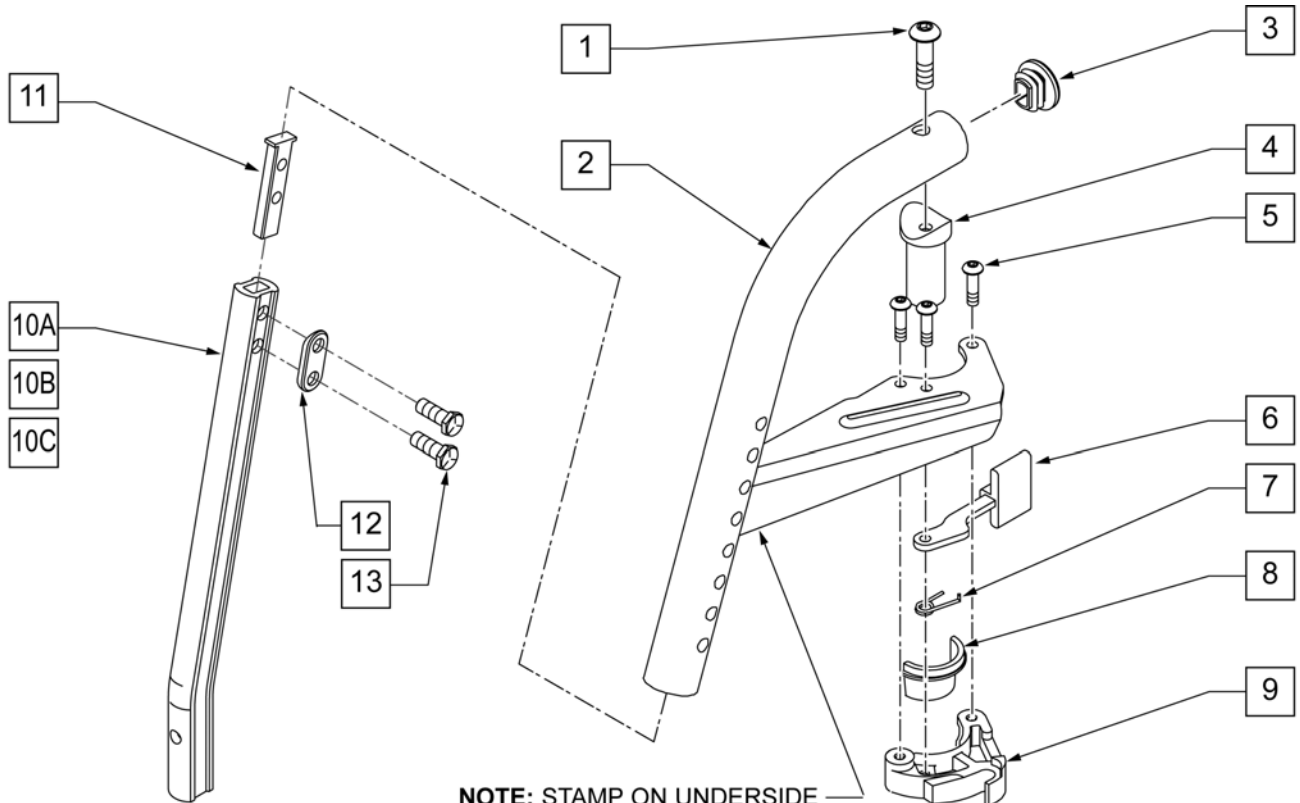
NOTE: DISCONTINUED ON LX/LXI AS OF 10/24/2008 -PARTS ONLY FOR CHAIRS BUILT PRIOR TO SERIAL NUMBER LX-034330.



Pos.	Item Number	Description	Remarks
1	226217	5/16-18 x 2" BH C/S BLK	
3	561378	END PLUG DBL "D" S525	
4	561197	PLASTIC PIVOT SADDLE	
5	226057	10-24 x .725 BH SOC BZ	
6	561079	S/A LATCH LEVER	
7	321136	S/A SPRING L RED	LEFT
7	321137	S/A SPRING R CLEAR	RIGHT
8,9	881500	LATCH BLOCK ASSM R	RIGHT
8,9	881501	LATCH BLOCK ASSM L	LEFT
10A	550819	EXT TBE S/A ONLY SHT	SHORT
10B	550820	EXT TBE S/A ONLY MED	MEDIUM
10C	550821	EXT TBE S/A ONLY LONG	LONG
11	500078	INSERT D2 EXT TUBE	
12	483717	HANGER SADDLE	
13	221102	1/4-28 x 3/4 HEX HEAD C/S BLK W/PTCH	

Pos.	Item Number	Description	Remarks
1-9	641550S	HANGER 60D R D2 PNT S/A BT	SPECIFY COLOR
1-9	641551S	HANGER 60D L D2 PNT S/A BT	SPECIFY COLOR
5-9	881521	S/A LATCH KIT CASTING	RIGHT
5-9	881522	S/A LATCH KIT CASTING	LEFT

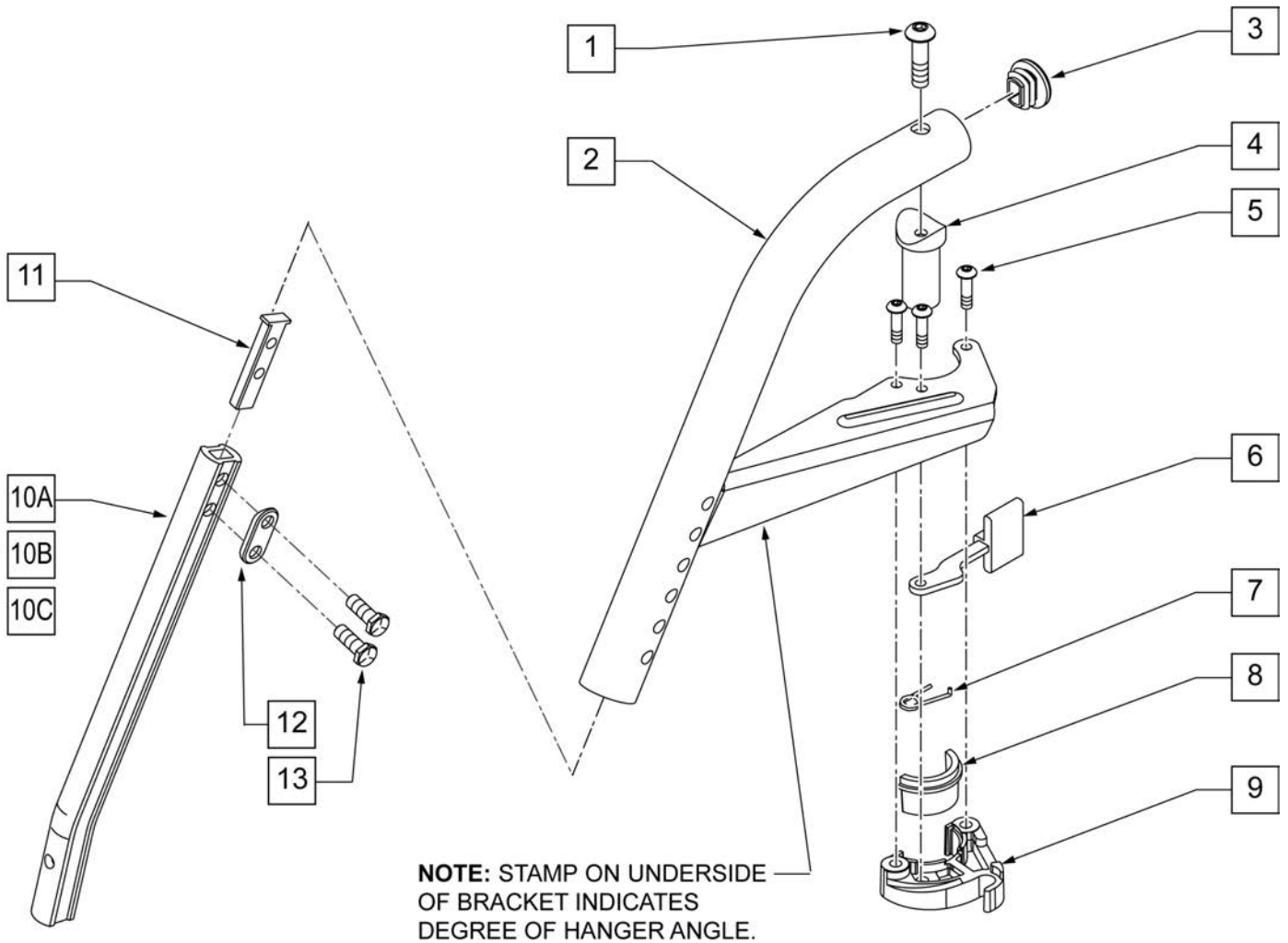
NOTE: DISCONTINUED ON LX/LXI AS OF 10/24/2008 -PARTS ONLY FOR CHAIRS BUILT PRIOR TO SERIAL NUMBER LX-034330.



NOTE: STAMP ON UNDERSIDE OF BRACKET INDICATES DEGREE OF HANGER ANGLE.

Pos.	Item Number	Description	Remarks
1	226217	5/16-18 x 2" BH C/S BLK	
3	561378	END PLUG DBL-D S525	
4	561197	PLASTIC PIVOT SADDLE	
5	226057	10-24 x .725 BH SOC BZ	
6	561079	S/A LATCH LEVER	
7	321136	S/A SPRING L RED	LEFT
7	321137	S/A SPRING R CLEAR	RIGHT
8,9	881500	LATCH BLOCK ASSM R	RIGHT
8,9	881501	LATCH BLOCK ASSM L	LEFT
10A	550819	EXT TBE S/A ONLY SHT	
10B	550820	EXT TBE S/A ONLY MED	
10C	550821	EXT TBE S/A ONLY LONG	
11	500078	INSERT D2 EXT TUBE	
12	483717	HANGER SADDLE	
13	221102	1/4-28 x 3/4 HEX HEAD C/S BLK W/PTCH	
1-9	641552S	HANGER 70D R D2 PNT S/A BT	SPECIFY COLOR
1-9	641553S	HANGER 70D L D2 PNT S/A BT	SPECIFY COLOR
5-9	881521	S/A LATCH KIT CASTING	RIGHT
5-9	881522	S/A LATCH KIT CASTING	LEFT

NOTE: DISCONTINUED ON LX/LXI 10/24/2008 -PARTS ONLY FOR CHAIRS BUILT PRIOR TO SERIAL NUMBER LX-034330.



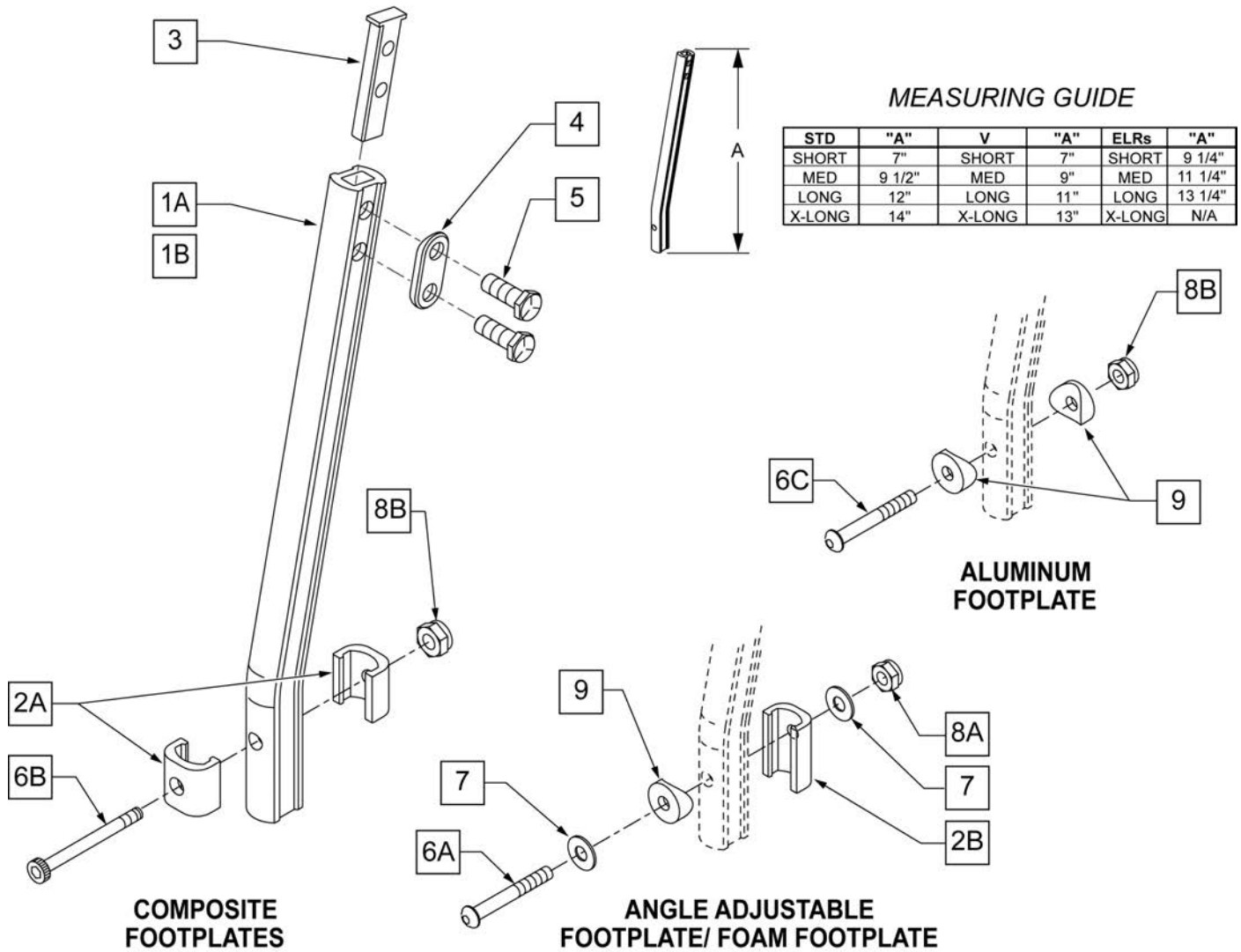
NOTE: STAMP ON UNDERSIDE OF BRACKET INDICATES DEGREE OF HANGER ANGLE.

Pos.	Item Number	Description	Remarks
1	226217	5/16-18 x 2 BH C/S BLK	
3	561378	END PLUG DBL-D S525	
4	561197	PLASTIC PIVOT SADDLE	
5	226057	10-24 x .725 BH SOC BZ	
6	561079	S/A LATCH LEVER	
7	321136	S/A SPRING L RED	LEFT
7	321137	S/A SPRING R CLEAR	RIGHT
8,9	881500	LATCH BLOCK ASSM R	RIGHT
8,9	881501	LATCH BLOCK ASSM L	LEFT
10A	550834	EXT TBE INVIN ONLY D2 SHT R	RIGHT
10A	550835	EXT TBE INVIN ONLY D2 SHT L	LEFT
10B	550836	EXT TBE INVIN ONLY D2 MED R	RIGHT
10B	550837	EXT TBE INVIN ONLY D2 MED L	LEFT

Pos.	Item Number	Description	Remarks
10C	550838	EXT TBE INVIN ONLY D2 LNG R	RIGHT
10C	550839	EXT TBE INVIN ONLY D2 LNG L	LEFT
11	500078	INSERT D2 EXT TUBE	
12	483717	HANGER SADDLE	
13	221102	1/4-28 x 3/4 HEX HEAD C/S BLK W/PTCH	
1-9	641554S	HNGR 70D V R D2 PNT S/A BT	SPECIFY COLOR
1-9	641555S	HNGR 70D V L D2 PNT S/A BT	SPECIFY COLOR
5-9	881521	S/A LATCH KIT CASTING	RIGHT
5-9	881522	S/A LATCH KIT CASTING	LEFT

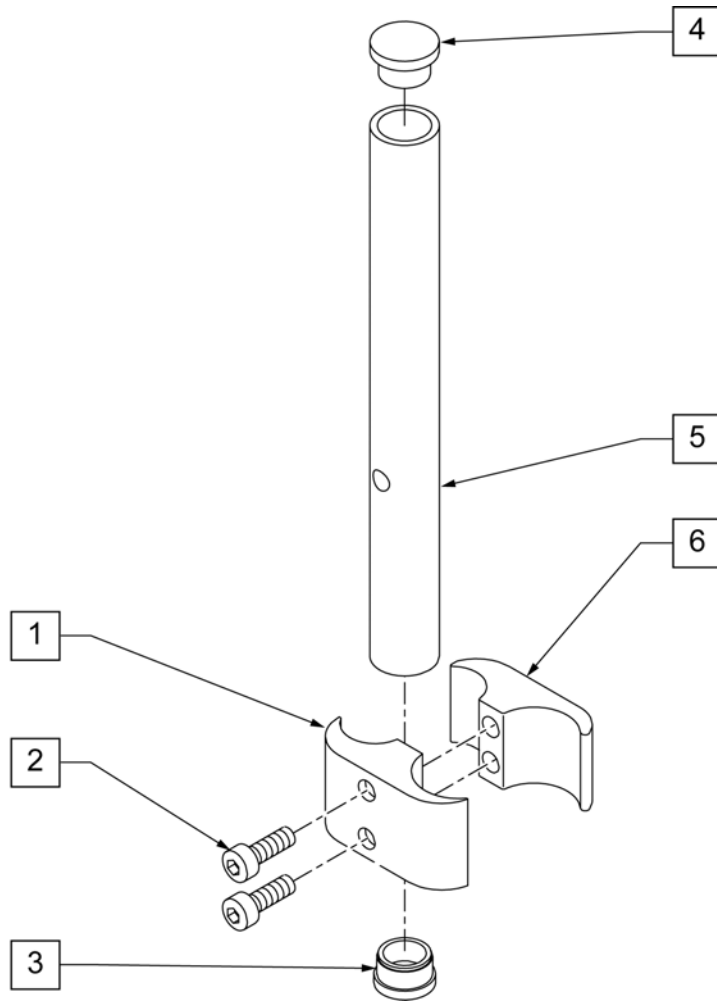
NOTE: IF REPLACING AN EXTENSION TUBE ON AN MANUAL ALR PLEASE REFER TO THE ROUND EXT TUBE PARTS MANUAL PAGE.

NOTE: WHEN ORDERING REPLACEMENT EXTENSION TUBES PLEASE VERIFY IF YOU HAVE THE OLD STYLE DOUBLE D EXTENSION TUBE OR THE NEW STYLE DOUBLE D EXTENSION TUBE. THIS CAN BE DONE BY REVIEWING THE HANGER THE EXTENSION TUBE IS USED ON. IF THE HANGER UTILIZES A SINGLE SET SCREW AT THE BOTTOM OF THE HANGER TUBE TO ATTACH THE EXTENSION TUBE TO THE HANGER, THEN THIS UTILIZES THE NEW STYLE DOUBLE D EXT TUBE ALL OTHER HANGERS REQUIRING A DOUBLE D EXTENSION TUBE UTILIZE THE OLD STYLE.



Pos.	Item Number	Description	Remarks
1A	550819	EXT TUBE S/A ONLY SHT	Short Ext-Swing Away Hanger
1A	550820	EXT TUBE S/A ONLY MED	Med Ext-Swing Away Hanger
1A	550821	EXT TUBE S/A ONLY LONG	Long Ext-Swing Away Hanger
1A	550822	EXT TUBE S/A ONLY X-LONG	X-Long Ext-Swing Away Hanger
1B	550834	EXT TUBE V IN ONLY D2 SHT R	Right Short Ext-Swing Away Hanger
1B	550835	EXT TUBE V IN ONLY D2 SHT L	Left Short Ext-Swing Away Hanger

Pos.	Item Number	Description	Remarks
1B	550836	EXT TUBE V IN ONLY D2 MED R	Right Med Ext-Swing Away Hanger
1B	550837	EXT TUBE V IN ONLY D2 MED L	Left Med Ext-Swing Away Hanger
1B	550838	EXT TUBE V IN ONLY D2 LONG R	Right Long Ext-Swing Away Hanger
1B	550839	EXT TUBE V IN ONLY D2 LONG L	Left Long Ext-Swing Away Hanger
1B	550840	EXT TUBE V IN ONLY D2 X-LONG R	Right X-Long Ext-Swing Away Hanger
1B	550841	EXT TUBE V IN ONLY D2 X-LONG L	Left X-Long Ext-Swing Away Hanger
2A	483718	HANGER EXTENSION SADDLE	USE W/ COMPOSITE FTPLT
2B	483720	HANGER EXTENSION SADDLE LONG	USE W/ ANGLE ADJ FTPLT
1C	550764	S/A HANGER EXT D2 SHORT BLACK	Short Ext ELR Hangers
1C	550765	S/A HANGER EXT D2 MED BLACK	Medium Ext ELR Hangers
1C	550766	S/A HANGER EXT D2 LONG BLACK	Long Ext ELR Hangers
3	500078	INSERT D2 EXT TUBE	
4	483717	HANGER SADDLE	
5	221102	1/4-28 x 3/4 HEX HEAD C/S BLK W/PTCH	
6A	106962	1/4-28 x 1 3/4 BH C/S BLK ZN	USE W/ ANGLE ADJ FTPLT
6B	226165	1/4 -28 x 2 1/2 SOC C/S	USE W/ COMPOSITE FTPLT
6C	226147	1/4 -28 X 1.85 BH C/S	
7	106945	1/4" SAE WASHER	
8A	106941	1/4 -28 AUTOMATION NUT	USE W/ ANGLE ADJ FTPLT
8B	106935	1/4 -28 NYLOCK NUT THIN	USE W/ COMPOSITE FTPLT
9	561055	3/4 SADDLE 1" OD	USE W/ ANGLE ADJ FTPLT
1A,2A-5	921759	EXT TUBE S/A SHT ASSM PCKT	USE W/ COMPOSITE FTPLT
1A,2A-5	921760	EXT TUBE S/A MED ASSM PCKT	USE W/ COMPOSITE FTPLT
1A,2A-5	921761	EXT TUBE S/A LONG ASSM PCKT	USE W/ COMPOSITE FTPLT
1A,2A-5	921762	EXT TUBE S/A X-LONG ASSM PCKT	USE W/ COMPOSITE FTPLT
1B,2A-5	921751	EXT TUBE "V" D2 SHT R ASSM PCKT	RIGHT - USE W/ COMPOSITE FTPLT V HANGER
1B,2A-5	921752	EXT TUBE "V" D2 SHT L ASSM PCKT	LEFT - USE W/ COMPOSITE FTPLT V HANGER
1B,2A-5	921753	EXT TUBE "V" D2 MED R ASSM PCKT	RIGHT - USE W/ COMPOSITE FTPLT V HANGER
1B,2A-5	921754	EXT TUBE "V" D2 MED L ASSM PCKT	LEFT - USE W/ COMPOSITE FTPLT V HANGER
1B,2A-5	921755	EXT TUBE "V" D2 LONG R ASSM PCKT	RIGHT - USE W/ COMPOSITE FTPLT V HANGER
1B,2A-5	921756	EXT TUBE "V" D2 LONG L ASSM PCKT	LEFT - USE W/ COMPOSITE FTPLT V HANGER
1B,2A-5	921757	EXT TUBE "V" D2 X-LONG R ASSM PCKT	RIGHT - USE W/ COMPOSITE FTPLT V HANGER
1B,2A-5	921758	EXT TUBE "V" D2 X-LONG L ASSM PCKT	LEFT - USE W/ COMPOSITE FTPLT V HANGER
1A,2A-7,9	921772	EXT TUBE S/A SHT ANG ADJ PCKT	USE W/ ANGLE ADJ FTPLT
1A,2A-7,9	921773	EXT TUBE S/A MED ANG ADJ PCKT	USE W/ ANGLE ADJ FTPLT
1A,2A-7,9	921774	EXT TUBE S/A LONG ANG ADJ PCKT	USE W/ ANGLE ADJ FTPLT
1A,2A-7,9	921775	EXT TUBE S/A X-LONG ANG ADJ PCKT	USE W/ ANGLE ADJ FTPLT
1B,2A-7,9	921764	EXT TUBE "V" D2 SHT R ANG ADJ PCKT	RIGHT - USE W/ ANGLE ADJ FTPLT V HANGER
1B,2A-7,9	921765	EXT TUBE "V" D2 SHT L ANG ADJ PCKT	LEFT - USE W/ ANGLE ADJ FTPLT V HANGER
1B,2A-7,9	921766	EXT TUBE "V" D2 MED R ANG ADJ PCKT	RIGHT - USE W/ ANGLE ADJ FTPLT V HANGER
1B,2A-7,9	921767	EXT TUBE "V" D2 MED L ANG ADJ PCKT	LEFT - USE W/ ANGLE ADJ FTPLT V HANGER
1B,2A-7,9	921768	EXT TUBE "V" D2 LONG R ANG ADJ PCKT	RIGHT - USE W/ ANGLE ADJ FTPLT V HANGER
1B,2A-7,9	921769	EXT TUBE "V" D2 LONG L ANG ADJ PCKT	LEFT - USE W/ ANGLE ADJ FTPLT V HANGER
1B,2A-7,9	921770	EXT TUBE "V" D2 X-LONG R ANG AD PCKT	RIGHT - USE W/ ANGLE ADJ FTPLT V HANGER
1B,2A-7,9	921771	EXT TUBE "V" D2 X-LONG L ANG AD PCKT	LEFT - USE W/ ANGLE ADJ FTPLT V HANGER



Pos.	Item Number	Description	Remarks
1	550657	CLAMP 1 1/4" RECESS FULL BLK	
2	107032	SHCS 1/4-28 X 1 ROHS	
3	561000-QU	3/4" INSERT PLUG .083	
4	482016	HIGH-MOUNT FL FT TUBE PLUG	
5	524100	H/M FL FT EXT TUBE BLK	
6	550658	CLAMP 1 1/4" THREADED BLK	
1,2,6	880538	HI-MOUNT FR CLAMP ASSEMBLY BLK	
1-6	921550S	H/M FL FT CLAMPS AND TUBES (PR)	Pair

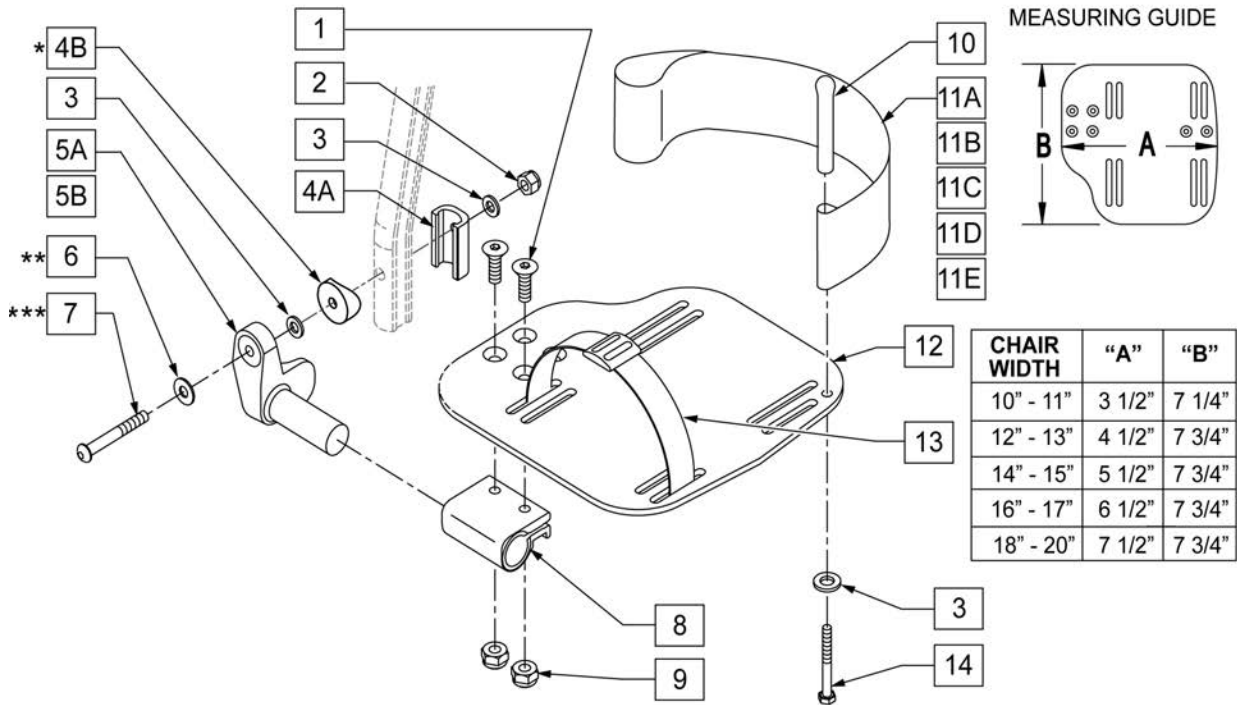
NOTE: FOR HIGH-MOUNT ADULT ANGLE-ADJUSTABLE FOOTPLATE, SEE "HIGH-MOUNT EXTENSION TUBE" PAGE.

NOTE: ORDER ITEM 4B FOR CHAIRS PRIOR TO 8/13/01.

NOTE: ONLY 1 WASHER PRIOR TO 8/13/01.

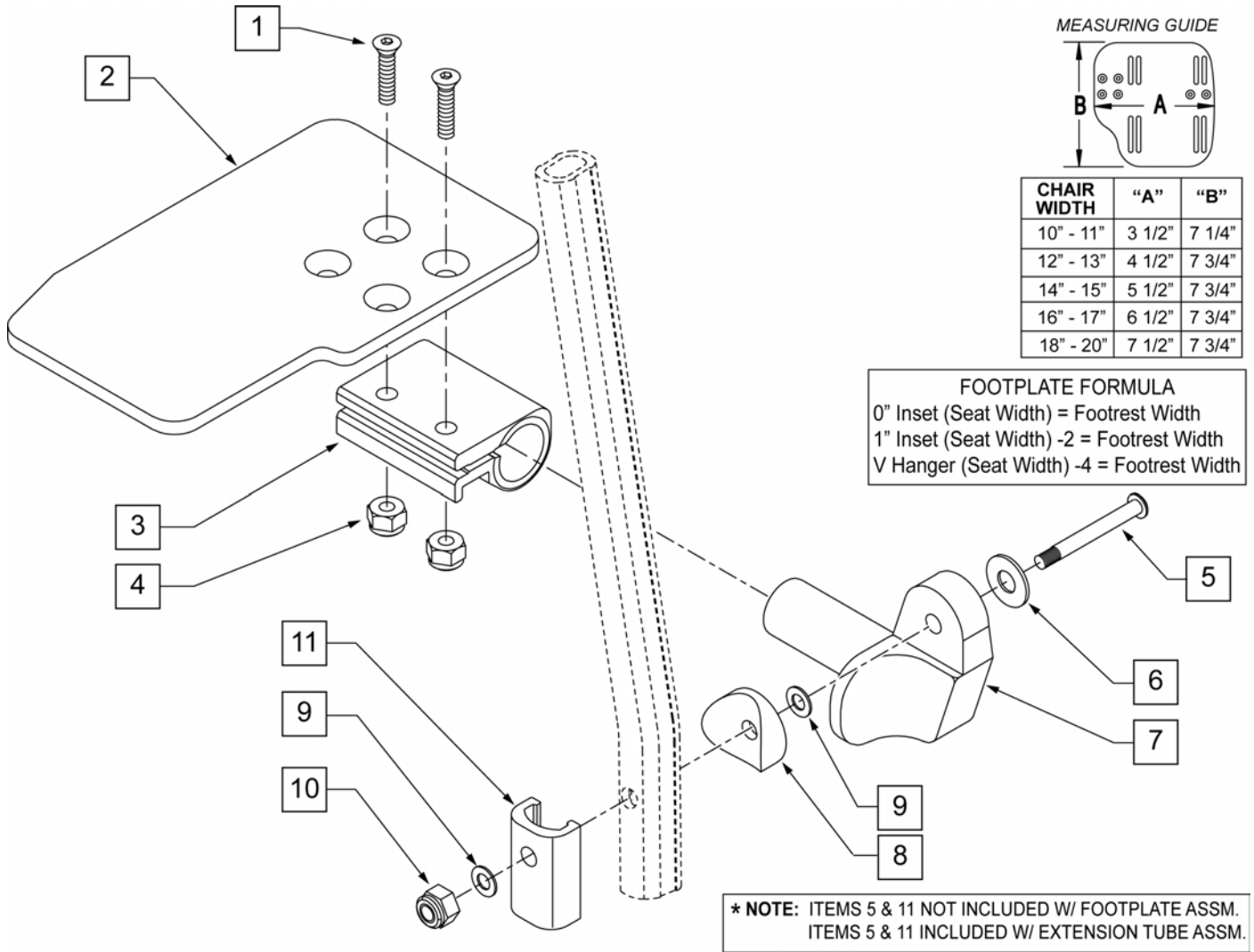
NOTE: ORDER PART 226167 PRIOR TO 8/13/01.

NOTE: See attached REFERENCE GUIDE.



Pos.	Item Number	Description	Remarks
1	106978	1/4-28 x 7/8 FH C/S	
2	106941	1/4-28 AUTOMATION NUT	

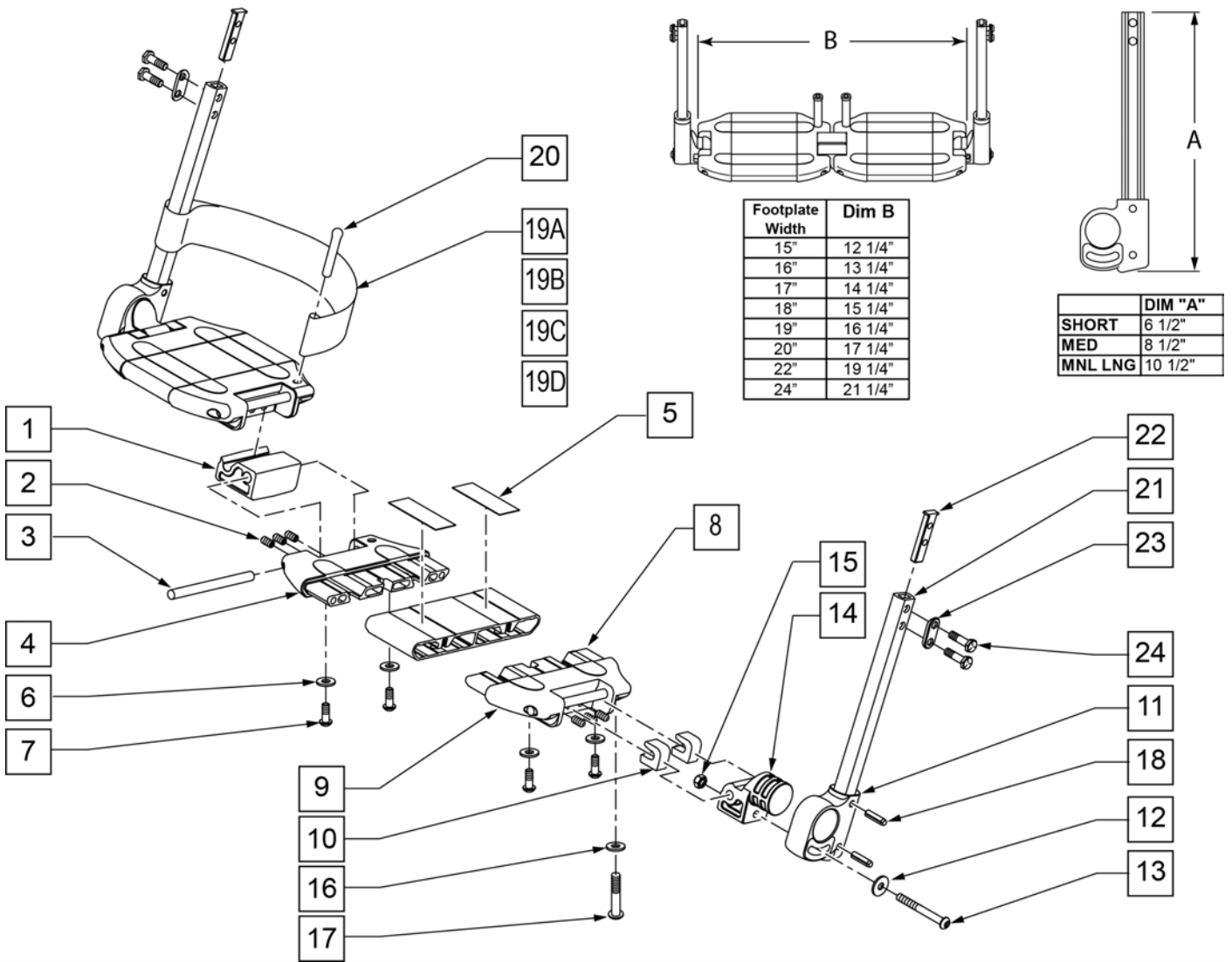
Pos.	Item Number	Description	Remarks
3	106943	WASHER FLAT AN 1/4 ROHS	
4A	483720	HANGER EXTENSION SADDLE LONG	USE W/ DOUBLE D EXT TUBE
4B	561055	3/4" SADDLE 1" OD	USE W/ ROUND EXT TUBE
5	541002	FTRST MOUNTING BRKT-3/8 RAD R	RIGHT
5	541003	FTRST MOUNTING BRKT-3/8 RAD L	LEFT
6	106945	WASHER FLAT SAE 1/4 ROHS	
7A	106962	BHCS 1/4-28 X 1-3/4 ROHS	USE W/ DOUBLE D EXT TUBE
7B	226167	1/4-28 x 1.625 BH C/S BLK	USE W/ ROUND EXT TUBE
8	550350	3/4" CLMP ADJ FT PLT	
9	106935	NUT NYLOCK THIN 1/4-28 ROHS	
10	561040	HEEL LOOP PEG	
11A	741154	HEEL LOOP 14-15 CMPST HEMI	USED W/ 10-11" ADULT ANG ADJ FTPLTS
11B	741155	HEEL LOOP 16-17 CMPST HEMI	USED W/ 12 -13" ADULT ANG ADJ FTPLTS
11C	741153	H/L 18-20 CMPST/14-15 ANG ADJ	USED W/ 14-15"/16-17" ADULT ANG ADJ FTPLTS
11D	741253	HEEL LOOP ADLT ADJ F/PLT 18-20	USED W/ 18 -20" ADULT ANG ADJ FTPLTS
12	500656	ADLT ANGL ADJ F/PLT 10/11" R	RIGHT
12	500657	ADLT ANGL ADJ F/PLT 10/11" L	LEFT
12	500658	ADLT ANGL ADJ F/PLT 12/13" R	RIGHT
12	500659	ADLT ANGL ADJ F/PLT 12/13" L	LEFT
12	500660	ADLT ANGL ADJ F/PLT 14/15	RIGHT
12	500661	ADLT ANGL ADJ F/PLT 14/15	LEFT
12	500662	ADLT ANGL ADJ F/PLT 16/17	RIGHT
12	500663	ADLT ANGL ADJ F/PLT 16/17	LEFT
12	500664	ADLT ANGL ADJ F/PLT 18-20	RIGHT
12	500665	ADLT ANGL ADJ F/PLT 18-20	LEFT
13	740260	TOE/ANKLE STRAP ADJ ADLT F/PLT	
14	106958	1/4-20 x 1 HEX C/S	
1-3,5,6,8,9,12	820526	AD ANG ADJ F/PLT R 12"/13" OMIT HL	RIGHT
1-3,5,6,8,9,12	820536	AD ANG ADJ F/PLT L 12"/13" OMT HL	LEFT
1-3,5,6,8,9,12	820460	FP ADLT ADJ 14/15 OMIT HL	RIGHT
1-3,5,6,8,9,12	820462	FP ADLT ADJ 14/15 OMIT HL	LEFT
1-3,5,6,8,9,12	820464	FP ADLT ADJ 16/17 OMIT HL	RIGHT
1-3,5,6,8,9,12	820466	FP ADLT ADJ 16/17 OMIT HL	LEFT
1-3,5,6,8,9,12	820468	FP ADLT ADJ 18-20 OMIT HL	RIGHT
1-3,5,6,8,9,12	820470	FP ADLT ADJ 18-20 OMIT HL	LEFT
1-3,5,6,8,9,12	921466	ADLT ANGL ADJ F/PLT 12"/13" OMIT HL	PAIR
1-3,5,6,8,9,12	921320	FP ADLT ADJ 14/15 OMIT HL	PAIR
1-3,5,6,8,9,12	921322	FP ADLT ADJ 16/17 OMIT HL	PAIR
1-3,5,6,8,9,12	921324	FP ADLT ADJ 18-20 OMIT HL	PAIR
1-3,5,6,8,9,12	820522	AD ANGL ADJ F/PLT R 12/13" H/L	RIGHT
1-3,5,6,8,9,12	820532	AD ANGL ADJ F/PLT L 12/13" H/L	LEFT
1-3,5,6,8-10,11C, 12,14	820461	FP ADLT ADJ 14/15 HL	RIGHT
1-3,5,6,8-10,11C, 12,14	820463	FP ADLT ADJ 14/15 HL	LEFT
1-3,5,6,8-10,11C, 12,14	820465	FP ADLT ADJ 16/17 HL	RIGHT
1-3,5,6,8-10,11C, 12,14	820467	FP ADLT ADJ 16/17 HL	LEFT
1-3,5,6,8-10,11D, 12,14	820469	FP ADLT ADJ 18-20 HL	RIGHT
1-3,5,6,8-10,11D, 12,14	820471	FP ADLT ADJ 18-20 HL	LEFT
1-3,5,6,8-10,11B, 12,14	921462	ADLT ANGL ADJ F/PLATE 12"/13" HL	PAIR
1-3,5,6,8-10,11C, 12,14	921321	FP ADLT ADJ 14/15 HL	PAIR
1-3,5,6,8-10,11C, 12,14	921323	FP ADLT ADJ 16/17 HL	PAIR
1-3,5,6,8-10,11D, 12,14	921325	FP ADLT ADJ 18-20 HL	PAIR
1-3,6,7A,9-10,14	101533	ADLT ANG ADJ FP D2 HDWR KIT	FOR DOUBLE D EXT TUBES
1-3B,4B,6,7B,9,10,14	101534	ADLT ANG ADJ FP RND HDWR KIT	FOR ROUND EXT TUBES (Q2 HP ONLY)



Pos.	Item Number	Description	Remarks
1	106978	FHCS 1/4 -28 x 7/8 ROHS	
2	500635	KIDS ANGL ADJ F/PLT 10" R	Right
2	500636	KIDS ANGL ADJ F/PLT 10" L	Left
2	500637	KIDS ANGL ADJ F/PLT 11" R	Right
2	500638	KIDS ANGL ADJ F/PLT 11" L	Left
2	500639	KIDS ANGL ADJ F/PLT 12" R	Right
2	500640	KIDS ANGL ADJ F/PLT 12" L	Left
2	500641	KIDS ANGL ADJ F/PLT 13" R	Right
2	500642	KIDS ANGL ADJ F/PLT 13" L	Left
2	500643	KIDS ANGL ADJ F/PLT 14" R	Right
2	500644	KIDS ANGL ADJ F/PLT 14" L	Left
2	500645	KIDS ANGL ADJ F/PLT 15" R	Right
2	500646	KIDS ANGL ADJ F/PLT 15" L	Left
2	500647	KIDS ANGL ADJ F/PLT 16" R	Right
2	500648	KIDS ANGL ADJ F/PLT 16" L	Left
3	550350	3/4" CLAMP ADJ FOOTPLATE	
4	106935	NUT NYLOCK THIN 1/4 -28 ROHS	
5	106962	1/4-28 x 1 3/4 BH C/S BLK ZN (D2 EXTENSION TUBES)	

Pos.	Item Number	Description	Remarks
5	226167	1/4-28 x 1.625 BH C/S BLK (ROUND EXTENSION TUBES)	
6	106945	1/4 SAE WASHER	
7	541002	FTRST MOUNTING BRKT-3/8 RAD R	
7	541003	FTRST MOUNTING BRKT-3/8 RAD L	
8	561055	3/4" SADDLE 1" OD	
9	106944	WASHER FLAT THIN AN 1/4 ROHS	
10	106941	NUT AUTOMATION 1/4 -28 ROHS	
1-7,9,10	828850	KIDS ANG ADJ F/PLT EXT-MNT 10"R	Right
1-7,9,10	828851	KIDS ANG ADJ F/PLT EXT-MNT 10"L	Left
1-7,9,10	828852	KIDS ANG ADJ F/PLT EXT-MNT 11"R	Right
1-7,9,10	828853	KIDS ANG ADJ F/PLT EXT-MNT 11"L	Left
1-7,9,10	828854	KIDS ANG ADJ F/PLT EXT-MNT 12"R	Right
1-7,9,10	828855	KIDS ANG ADJ F/PLT EXT-MNT 12"L	Left
1-7,9,10	828856	KIDS ANG ADJ F/PLT EXT-MNT 13"R	Right
1-7,9,10	828857	KIDS ANG ADJ F/PLT EXT-MNT 13"L	Left
1-7,9,10	828858	KIDS ANG ADJ F/PLT EXT-MNT 14"R	Right
1-7,9,10	828859	KIDS ANG ADJ F/PLT EXT-MNT 14"L	Left
1-7,9,10	828860	KIDS ANG ADJ F/PLT EXT-MNT 15"R	Right
1-7,9,10	828861	KIDS ANG ADJ F/PLT EXT-MNT 15"L	Left
1-7,9,10	828862	KIDS ANG ADJ F/PLT EXT-MNT 16"R	Right
1-7,9,10	828863	KIDS ANG ADJ F/PLT EXT-MNT 16"L	Left
1-7,9,10	921280	KIDS ANG ADJ F/PLT EXT-MNT 10"	Pair
1-7,9,10	921281	KIDS ANG ADJ F/PLT EXT-MNT 11"	Pair
1-7,9,10	921282	KIDS ANG ADJ F/PLT EXT-MNT 12"	Pair
1-7,9,10	921283	KIDS ANG ADJ F/PLT EXT-MNT 13"	Pair
1-7,9,10	921284	KIDS ANG ADJ F/PLT EXT-MNT 14"	Pair
1-7,9,10	921285	KIDS ANG ADJ F/PLT EXT-MNT 15"	Pair
1-7,9,10	921286	KIDS ANG ADJ F/PLT EXT-MNT 16"	Pair

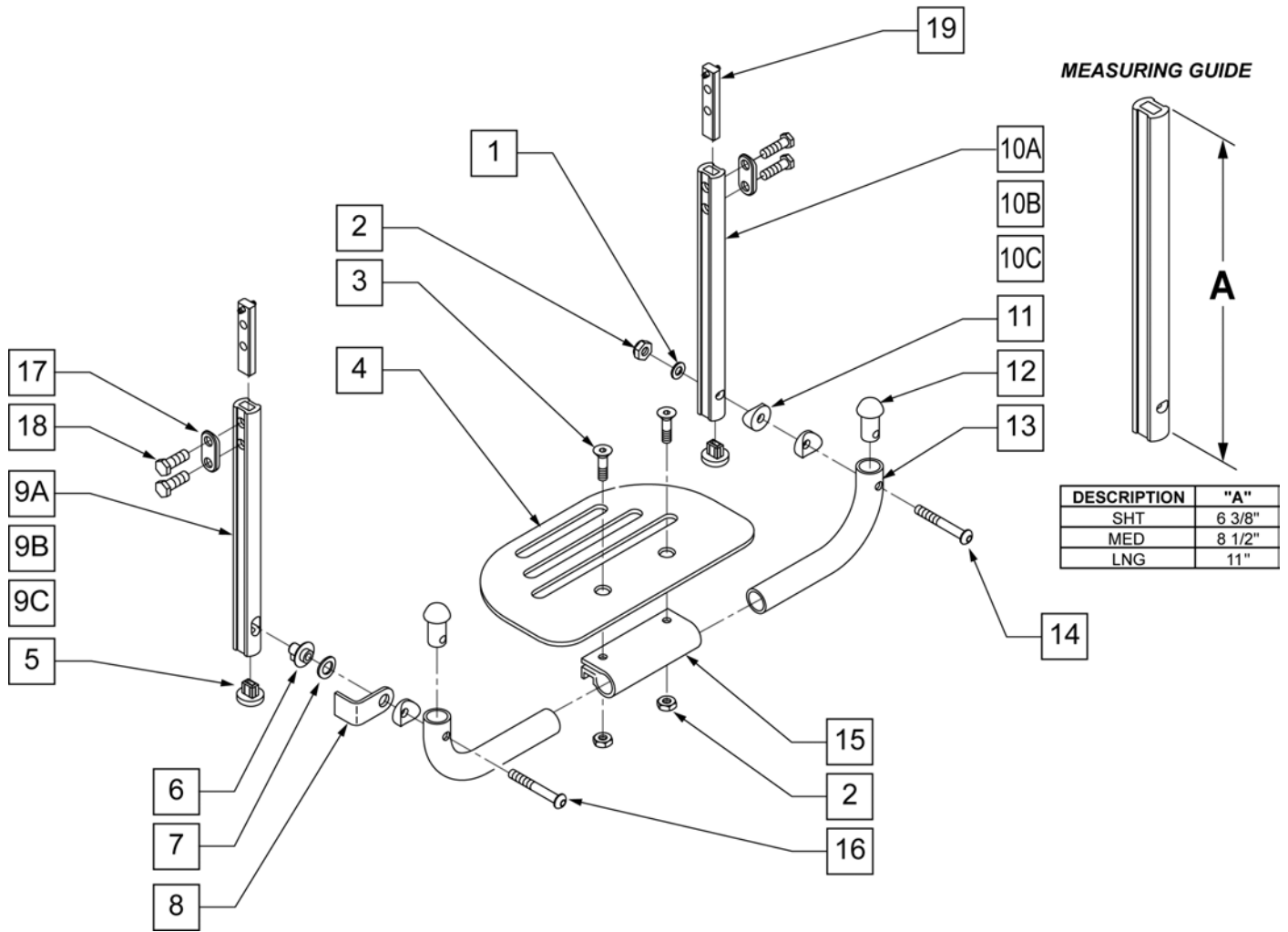
MEASURING GUIDE



Pos.	Item Number	Description
2	230030	M6 x 12 SET SCREW CUP POINT
3	481283	PIN 8MM x 100 MM
5	360010	FOOT BOARD SKID TAPE
6	106943	1/4 AN WASHER FLAT
7	230032	M6 x 16 B/H CAP SCREW
9	560019	FOOT BOARD HOLDER R
9	560020	FOOT BOARD HOLDER L
10	560021	FOOT BOARD SHIM ALIGNMENT
11	560024	FOOT YOKE
12	250070	M6 WASHER
13	210000	M6 x 55 8.8 BUTTON HD CAP SCRW
14	560023	FOOT BOARD BEARING SUPPORT
15	200113	NUT HEX NYLOCK M6 X 1 NUT
16	106944	1/4 AN WASHER FLAT THIN
17	106958	1/4-20 x 1 HEX C/S
18	349583	6 x 25MM GROOVED PIN

Pos.	Item Number	Description
19A	741151	HEEL LOOP 14-15 CMPST EA 13.24 44
19B	741153	HEEL LOOP 18-20 CMPST/14-15 ANG ADJ
19C	741156	HEEL LOOP 18-20 CMPST
19D	741253	HEEL LOOP ADLT ADJ F/PLT 18-20
20	561040	HEEL LOOP PEG
21A	550831	EXT TBE PLTFRM ONLY SHT
21B	550832	EXT TBE PLTFRM ONLY MED
21C	550842	EXT TBE PLTFRM ONLY MNL LNG
22	500078	INSERT D2 EXT TUBE
23	483717	HANGER SADDLE
24	221102	1/4-28 x 3/4 HEX HEAD C/S BLK W/PTCH
11,18,21-24	921748	EXT TBE PLTFRM SHT ASSM PCKT
11,18,21-24	921749	EXT TBE PLTFRM MED ASSM PCKT
11,18,21-24	900368	EXT TBE PLTFRM MNL LNG PACKET
1-10,12-16,19,20	820620	LOCKING FTPLT 15 W LEFT
1-10,12-16,19,20	820621	LOCKING FTPLT 15 W RIGHT
1-10,12-16,19,20	820622	LOCKING FTPLT 16 W LEFT
1-10,12-16,19,20	820623	LOCKING FTPLT 16 W RIGHT
1-10,12-16,19,20	820624	LOCKING FTPLT 17 W LEFT
1-10,12-16,19,20	820625	LOCKING FTPLT 17 W RIGHT
1-10,12-16,19,20	820626	LOCKING FTPLT 18 W LEFT
1-10,12-16,19,20	820627	LOCKING FTPLT 18 W RIGHT
1-10,12-16,19,20	820628	LOCKING FTPLT 19 W LEFT
1-10,12-16,19,20	820629	LOCKING FTPLT 19 W RIGHT
1-10,12-16,19,20	820630	LOCKING FTPLT 20 W LEFT
1-10,12-16,19,20	820631	LOCKING FTPLT 20 W RIGHT
1-10,12-16,19,20	820632	LOCKING FTPLT 22 W LEFT
1-10,12-16,19,20	820633	LOCKING FTPLT 22 W RIGHT
1-24	900280	LOCKING FTPLT 15" W/ SHT EXT ASSM
1-24	900281	LOCKING FTPLT 16" W/ SHT EXT ASSM
1-24	900282	LOCKING FTPLT 17" W/ SHT EXT ASSM
1-24	900283	LOCKING FTPLT 18" W/ SHT EXT ASSM
1-24	900284	LOCKING FTPLT 19" W/ SHT EXT ASSM
1-24	900285	LOCKING FTPLT 20" W/ SHT EXT ASSM
1-24	900763	LCKNG FTPLT 21" W/SHT EXT ASSM
1-24	900763	LOCKING FTPLT 21" W/ SHT EXT ASSM
1-24	900286	LOCKING FTPLT 22" W/ SHT EXT ASSM
1-24	900287	LCKNG FTPLT 24" W/SHT EXT ASSM
1-24	900290	LOCKING FTPLT 15" W/ MED EXT ASSM
1-24	900291	LOCKING FTPLT 16" W/ MED EXT ASSM
1-24	900292	LOCKING FTPLT 17" W/ MED EXT ASSM
1-24	900293	LOCKING FTPLT 18" W/ MED EXT ASSM
1-24	900294	LOCKING FTPLT 19" W/ MED EXT ASSM
1-24	900295	LOCKING FTPLT 20" W/ MED EXT ASSM
1-24	900296	LOCKING FTPLT 22" W/ MED EXT ASSM
1-24	900762	LOCKING FTPLT 21" W /MED EXT ASSM
1-24	900297	LCKNG FTPLT 24" W/MED EXT ASSM
1-24	900360	LOCKING FTPLT 15" W/ MNL LONG EXT
1-24	900361	LOCKING FTPLT 16" W/ MNL LONG EXT
1-24	900362	LOCKING FTPLT 17" W/ MNL LONG EXT
1-24	900363	LOCKING FTPLT 18" W/ MNL LONG EXT
1-24	900364	LOCKING FTPLT 19" W/ MNL LONG EXT
1-24	900365	LOCKING FTPLT 20" W/ MNL LONG EXT
1-24	900366	LOCKING FTPLT 21" W/ MNL LONG EXT
1-24	900367	LOCKING FTPLT 22" W/ MNL LONG EXT

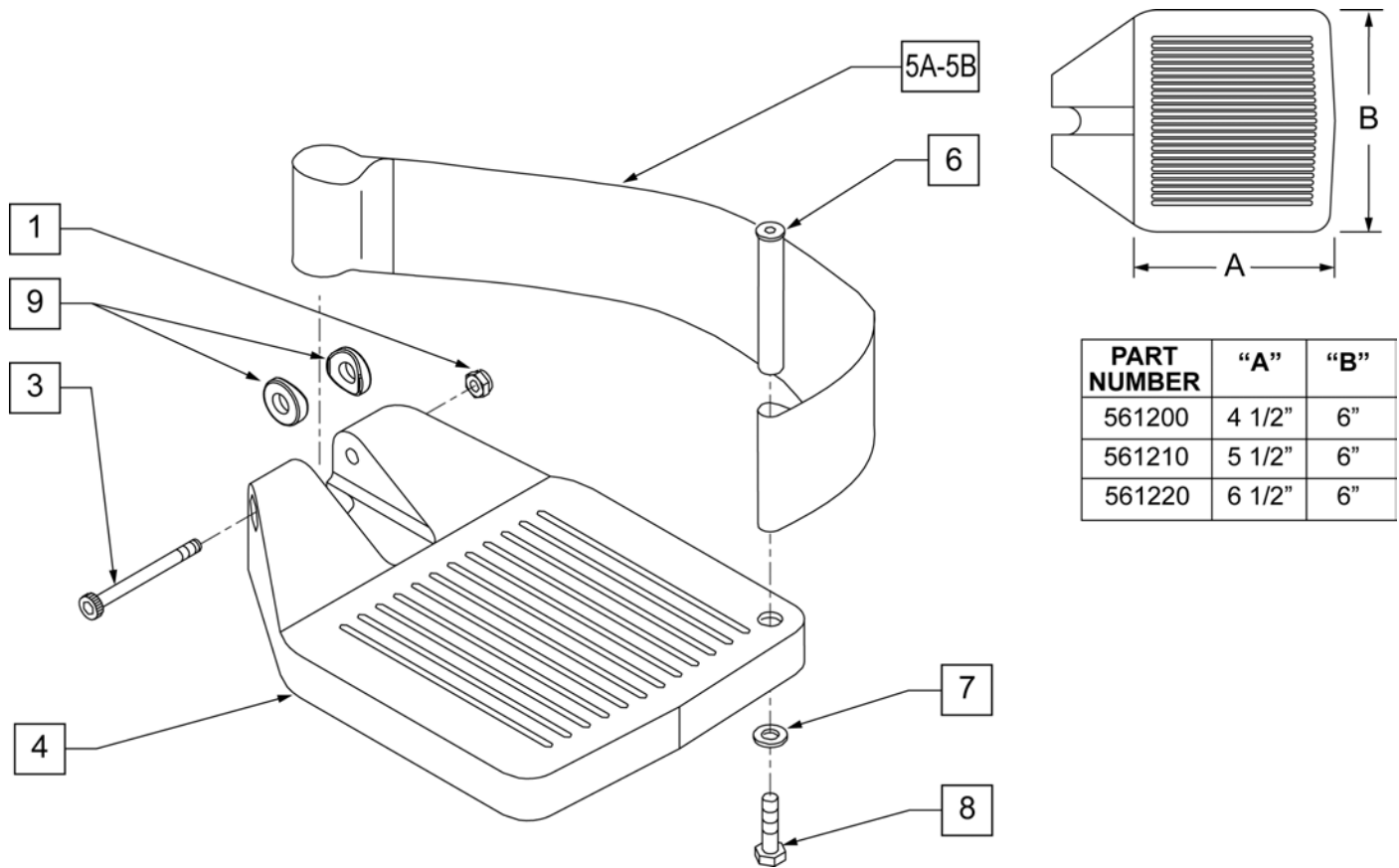
NOTE: * FOR ORDERING INFORMATION, PLEASE SEE "PLATFORM FLIP-UP FOOTREST REFERENCE GUIDE" ATTACHED.



Pos.	Item Number	Description	Remarks
1	106944	1/4 AN WASHER FLAT THIN	
2	106941	1/4-28 AUTOMATION NUT	
3	106978	FHCS 1/4-28 X 7/8 ROHS	
4	500650	PLATFORM F/PLT 6" x 5 1/2"	
4	500651	PLATFORM F/PLT 8" x 5 1/2"	
4	500652	PLATFORM F/PLT 10" x 5 1/2"	
4	500653	PLATFORM F/PLT 12" x 5 1/2"	
4	500654	PLATFORM F/PLT 14" x 5 1/2"	
5	113221	PLUD DOUBLE D EXT TUBE	
6	540410	F/UP FOOTREST KEY STUD D2	
7	262137	3/8 WASHER CURVED	
8	505078	FOOTREST RETAINING BRACKET	
9C	550830	EXT TUBE F/UP KEY ONLY LONG	

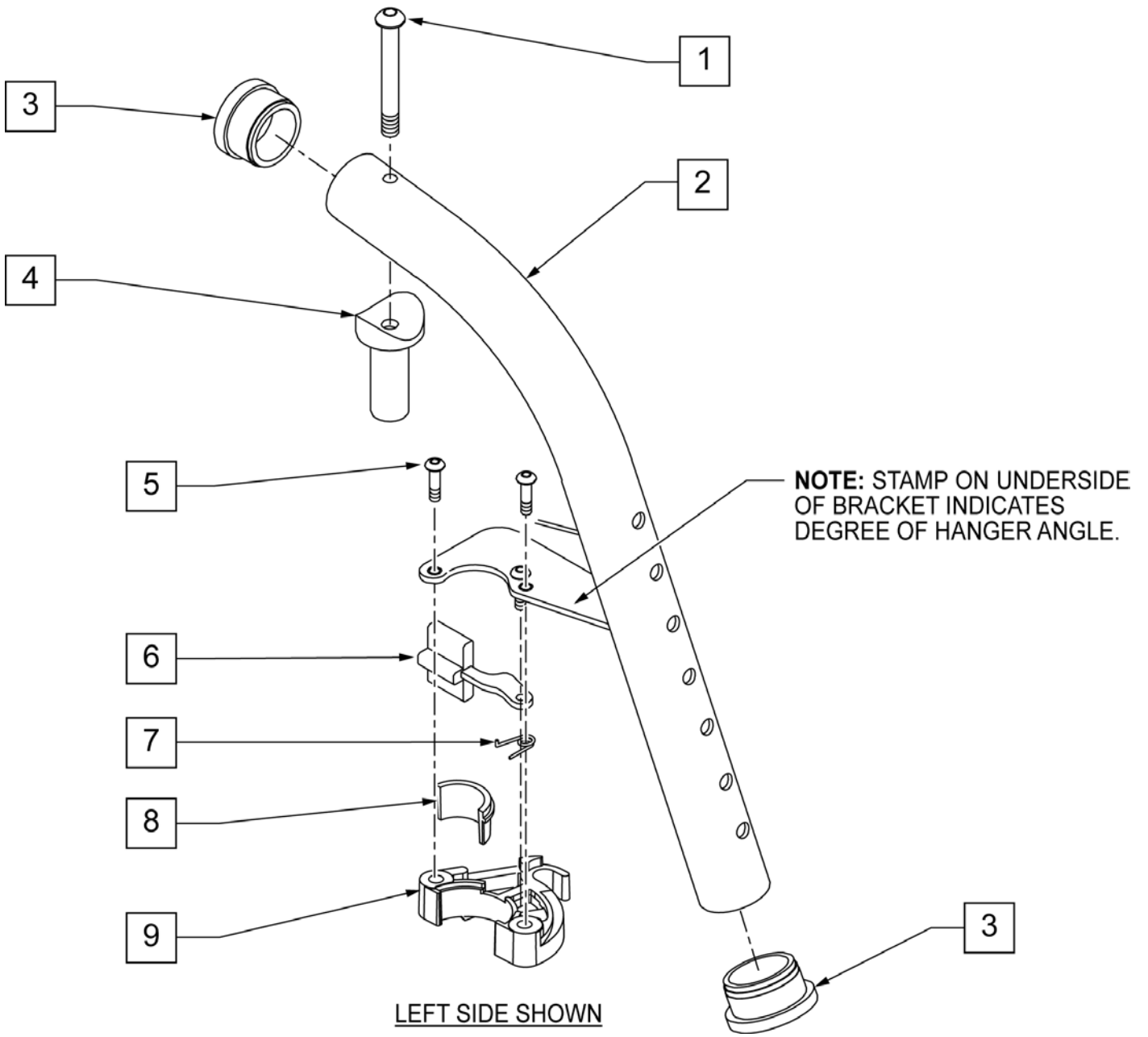
Pos.	Item Number	Description	Remarks
9A	550828	EXT TUBE F/UP KEY ONLY SHORT	
9B	550829	EXT TUBE F/UP KEY ONLY MED	
10C	550827	EXT TUBE F/UP SLT ONLY LONG	
10A	550825	EXT TUBE F/UP SLT ONLY SHORT	
10B	550826	EXT TUBE F/UP SLT ONLY MED	
11	561003	3/4" SADDLE THIN	
12	561034	SHORT DOME PLUG	
14	106964	1/4-28 x 2 BH C/S	
15	550351	PLATFORM FOOTPLATE CLAMP	
16	226131	1/4-28 x 1 1/4 BH C/S SHLDR	
17	483717	HANGER SADDLE	
18	221102	1/4-28 x 3/4 HEX C/S	
19	500078	INSERT D2 EXT TUBE	
5,10A, 17-19	921742	EXT TBE F/UP SLT SHT ASSM PCKT	Pivot side
5,10B, 17-19	921743	EXT TBE F/UP SLT MED ASSM PCKT	Pivot side
5,10C, 17-19	921744	EXT TBE F/UP SLT LNG ASSM PCKT	Pivot side
5,9A, 17-19	921745	EXT TBE F/UP KEY SHT ASSM PCKT	Release side
5,9B, 17-19	921746	EXT TBE F/UP KEY MED ASSM PCKT	Release side
5,9C, 17-19	921747	EXT TBE F/UP KEY LNG ASSM PCKT	Release side
5,9A,10A, 17-19	921269	S/A EXT TUBE D2 SHT PLTFRM BLK	Pivot and Release Ext Assm
5,9B,10B, 17-19	921267	S/A EXT TUBE D2 MED PLTFRM BLK	Pivot and Release Ext Assm
5,9C,10C, 17-19	921268	S/A EXT TUBE D2 LNG PLTFRM BLK	Pivot and Release Ext Assm
1-4,6-8, 11-16	900304	PLATFM F/P F/PLT BLK 10" ASSM D2	
1-4,6-8, 11-16	900305	PLATFM F/P F/PLT BLK 11" ASSM D2	
1-4,6-8, 11-16	900306	PLATFM F/P F/PLT BLK 12" ASSM D2	
1-4,6-8, 11-16	900307	PLATFM F/P F/PLT BLK 13" ASSM D2	
1-4,6-8, 11-16	900308	PLATFM F/P F/PLT BLK 14" ASSM D2	
1-4,6-8, 11-16	900309	PLATFM F/P F/PLT BLK 15" ASSM D2	
1-4,6-8, 11-16	900310	PLATFM F/P F/PLT BLK 16" ASSM D2	
1-4,6-8, 11-16	900311	PLATFM F/P F/PLT BLK 17" ASSM D2	
1-4,6-8, 11-16	900312	PLATFM F/P F/PLT BLK 18" ASSM D2	
1-4,6-8, 11-16	900313	PLATFM F/P F/PLT BLK 19" ASSM D2	
1-4,6-8, 11-16	900314	PLATFM F/P F/PLT BLK 20" ASSM D2	
1-4,6-8, 11-16	900315	PLATFM F/P F/PLT BLK 21" ASSM D2	
1-4,6-8, 11-16	900316	PLATFM F/P F/PLT BLK 22" ASSM D2	

COMPOSITE FOOTPLATE

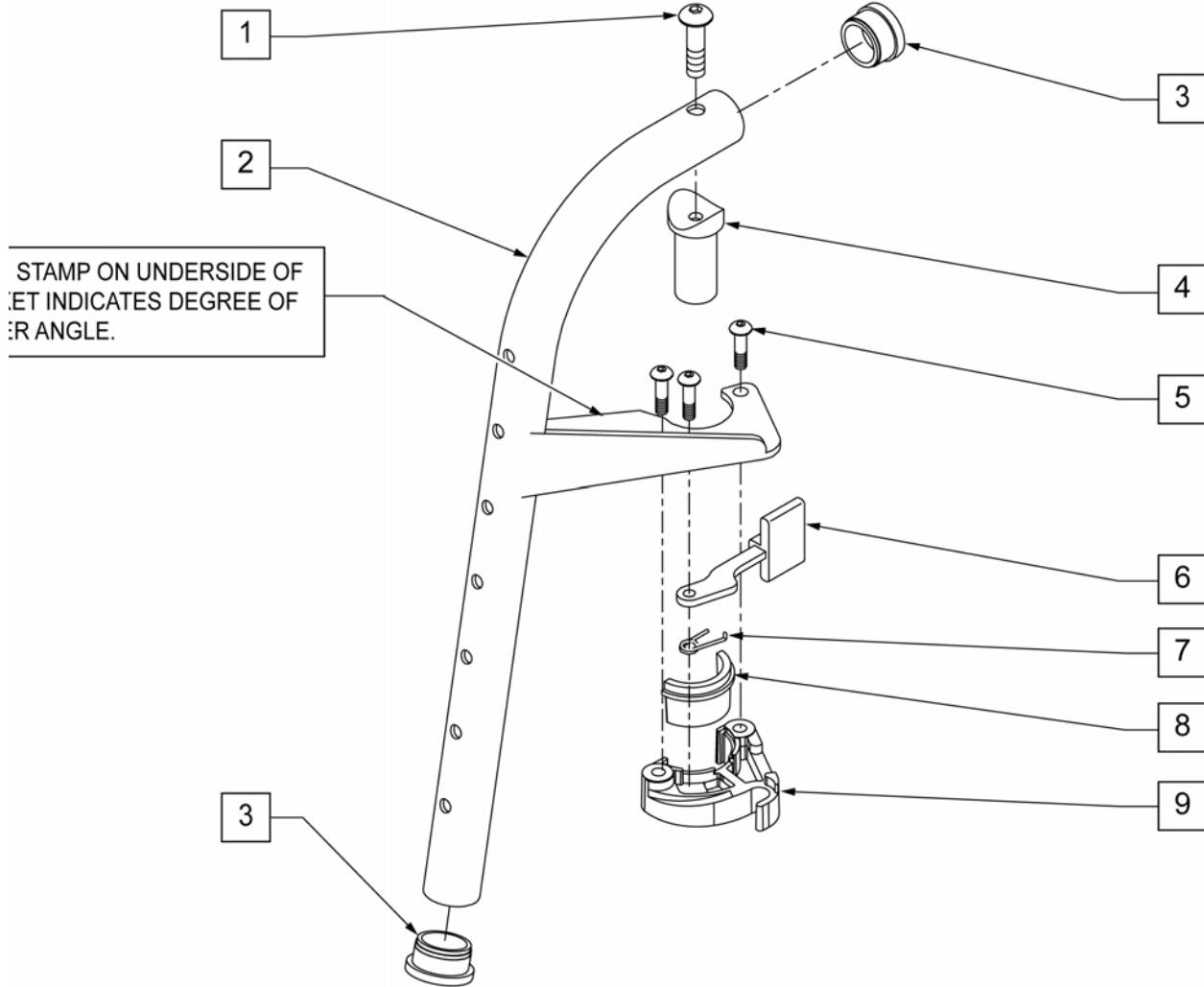


Pos.	Item Number	Description	Remarks
1	106935	1/4 - 28 NYLOCK NUT	
3	226165	1/4 - 28 x 2 1/2 SOC C/S	
4	561200	COMPOSITE FOOTPLATE 14 -15 (16 -18 V)	14 -15 OR 16 -18V
4	561210	COMPOSITE FOOTPLATE 16 -17 (19 -20 V)	16 -17 OR 19 -20V
4	561220	COMPOSITE FOOTPLATE 18 -20	18 -20
5A	741151	HEEL LOOP 14-15 COMPOSITE (14 -15 or 16 -18V)	14 -15 OR 16 -18V
5A	741156	HEEL LOOP 16 -17 or 19 -20V	16 -17 OR 19 -20V
5A	741153	HEEL LOOP 18-20 COMPOSITE/14-15 ANG ADJ	18 -20
5A	902270	HEEL LOOP COMPOSITE FT 14-15	PAIR 14 -15 OR 16 -18V
5A	902271	HEEL LOOP COMPOSITE FT 16-17	PAIR 16 -17 OR 19 -20V
5A	902272	HEEL LOOP COMPOSITE FT 18-20	PAIR 18 -20
5B	741154	HEEL LOOP 14-15 COMPOSITE HEMI	14 -15 HEMI
5B	741155	HEEL LOOP 16-17 COMPOSITE HEMI	16 -17 HEMI
5B	741153	HEEL LOOP 18-20 COMPOSITE HEMI	18 -10 HEMI
5B	902260	HEEL LOOPS HEMI COMPOSITE 14-15	PAIR 14 -15 HEMI
5B	902261	HEEL LOOPS HEMI COMPOSITE 16-17	PAIR 16 -17 HEMI
5B	902262	HEEL LOOPS HEMI COMPOSITE 18-20	PAIR 18 -20 HEMI
6	561040	HEEL LOOP PEG	
7	106944	1/4 AN WASHER FLAT THIN	
8	106958	HHCS 1/4-20 X 1 ROHS	
9	561003	3/4" SADDLE THIN	USED W/ ROUND EXT TUBES ONLY
1,3,4	921180	COMPOSITE FOOTPLATE ASSM 14-15	RIGHT (14 -15 OR 16 -18V) W/O HEEL LOOP
1,3,4	921181	COMPOSITE FOOTPLATE ASSM 14-15	LEFT (14 -15 OR 16 -18V) W/O HEEL LOOP
1,3,4	921182	COMPOSITE FOOTPLATE ASSM 16-17	RIGHT (16 -17 OR 19 -20V) W/O HEEL LOOP
1,3,4	921183	COMPOSITE FOOTPLATE ASSM 16-17	LEFT (16 -17 OR 19 -20V) W/O HEEL LOOP

Pos.	Item Number	Description	Remarks
1,3,4	921184	COMPOSITE FOOTPLATE ASSM 18-20	RIGHT (18 -20) W/O HEEL LOOP
1,3,4	921185	COMPOSITE FOOTPLATE ASSM 18-20	LEFT (18 -20) W/O HEEL LOOP
1,3,4	921151	COMPOSITE FOOTPLATE ASSM 14-15/16-18V	PAIR (14 -15 OR 16 -18V) W/O HEEL LOOP
1,3,4	921152	COMPOSITE FOOTPLATE ASSM 16-17/19-20V	PAIR (16 -17 OR 19 -20V) W/O HEEL LOOP
1,3,4	921153	COMPOSITE FOOTPLATE ASSM 18-20	PAIR (18 -20) W/O HEEL LOOP
1,3,4A-8	921190	COMPOSITE FOOTPLATE ASSM HL LP 14-15	RIGHT (14 -15 OR 16 -18V) W/ HEEL LOOP
1,3,4A-8	921191	COMPOSITE FOOTPLATE ASSM HL LP 14-15	LEFT (14 -15 OR 16 -18V) W/ HEEL LOOP
1,3,4A-8	921192	COMPOSITE FOOTPLATE ASSM HL LP 16-17	RIGHT (16 -17 OR 19 -20V) W/ HEEL LOOP
1,3,4A-8	921193	COMPOSITE FOOTPLATE ASSM HL LP 16-17	LEFT (16 -17 OR 19 -20V) W/ HEEL LOOP
1,3,4A-8	921194	COMPOSITE FOOTPLATE ASSM HL LP 18-20	RIGHT (18 -20) W/ HEEL LOOP
1,3,4A-8	921195	COMPOSITE FOOTPLATE ASSM HL LP 18-20	LEFT (18 -20) W/ HEEL LOOP
1,3,4A-8	921161	COMPOSITE FOOTPLATE ASSM HL 14-15/16-18V	PAIR (14 -15 OR 16 -18V) W/ HEEL LOOP
1,3,4A-8	921162	COMPOSITE FOOTPLATE ASSM HL 16-17/19-20V	PAIR (16 -17 OR 19 -20V) W/ HEEL LOOP
1,3,4A-8	921163	COMPOSITE FOOTPLATE ASSM HL 18-20	PAIR (18 -20) W/ HEEL LOOP
1,3,4B-8	921140	COMPOSITE FOOTPLATE ASSM HEMI HL LP 14-15	RIGHT (14 -15) W/ HEEL LOOP
1,3,4B-8	921141	COMPOSITE FOOTPLATE ASSM HEMI HL LP 14-15	LEFT (14 -15) W/ HEEL LOOP
1,3,4B-8	921142	COMPOSITE FOOTPLATE ASSM HEMI HL LP 16-17	RIGHT (16 -17) W/ HEEL LOOP
1,3,4B-8	921143	COMPOSITE FOOTPLATE ASSM HEMI HL LP 16-17	LEFT (16 -17) W/ HEEL LOOP
1,3,4B-8	921144	COMPOSITE FOOTPLATE ASSM HEMI HL LP 18-20	RIGHT (18 -20) W/ HEEL LOOP
1,3,4B-8	921145	COMPOSITE FOOTPLATE ASSM HEMI HL LP 18-20	LEFT (18 -20) W/ HEEL LOOP
1,3,4B-8	921167	COMPOSITE FOOTPLATE ASSM HEMI HL LPS 14-15	PAIR (14 -15) W/ HEEL LOOP
1,3,4B-8	921168	COMPOSITE FOOTPLATE ASSM HEMI HL LPS 16-17	PAIR (16 -17) W/ HEEL LOOP
1,3,4B-8	921169	COMPOSITE FOOTPLATE ASSM HEMI HL LPS 18-20	PAIR (18 -20) W/ HEEL LOOP

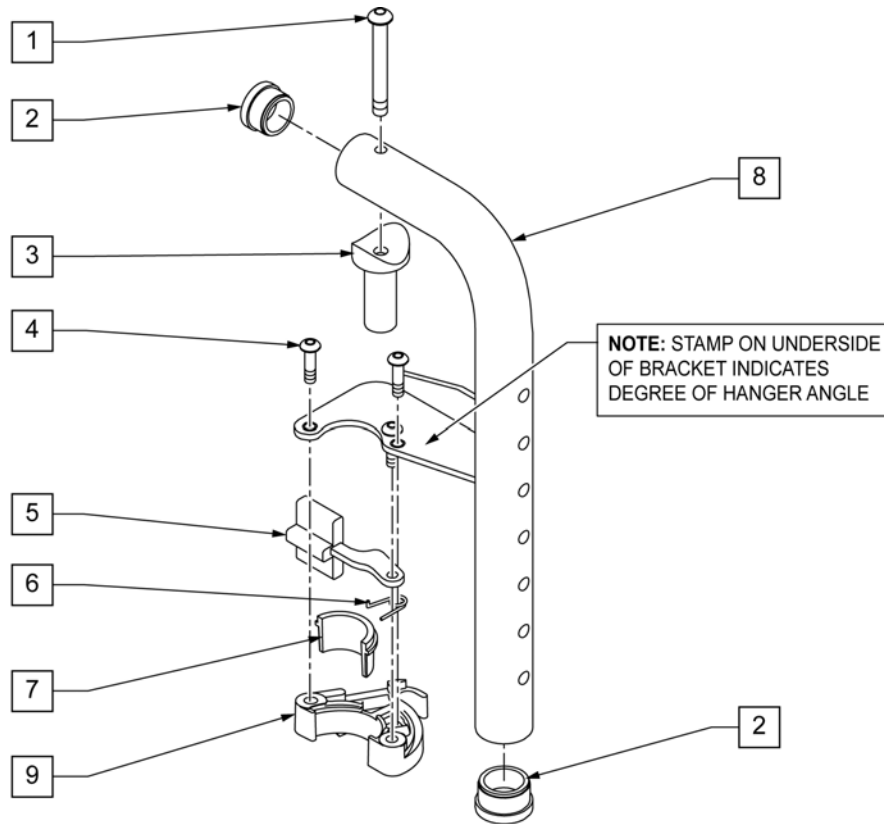


Pos.	Item Number	Description	Remarks
1	226217	5/16-18 x 2 BH C/S BLK	
3	561002	1" INSERT PLUG .083	
4	561197	PLASTIC PIVOT SADDLE	
5	226057	10/24 x .725 BTTN HD SOC BZ	
6	561079	S/A LATCH LEVER	
7	321136	S/A SPRING L RED	LEFT
7	321137	S/A SPRING R CLEAR	RIGHT
8,9	881500	LATCH BLOCK ASSM R	RIGHT
8,9	881501	LATCH BLOCK ASSM L	LEFT
1-9	641142S	HANGER 70D R PNTD S/A F/MT	RIGHT
1-9	641143S	HANGER 70D L PNTD S/A F/MT	LEFT
5-9	881521	S/A LATCH KIT CASTING	RIGHT
5-9	881522	S/A LATCH KIT CASTING	LEFT



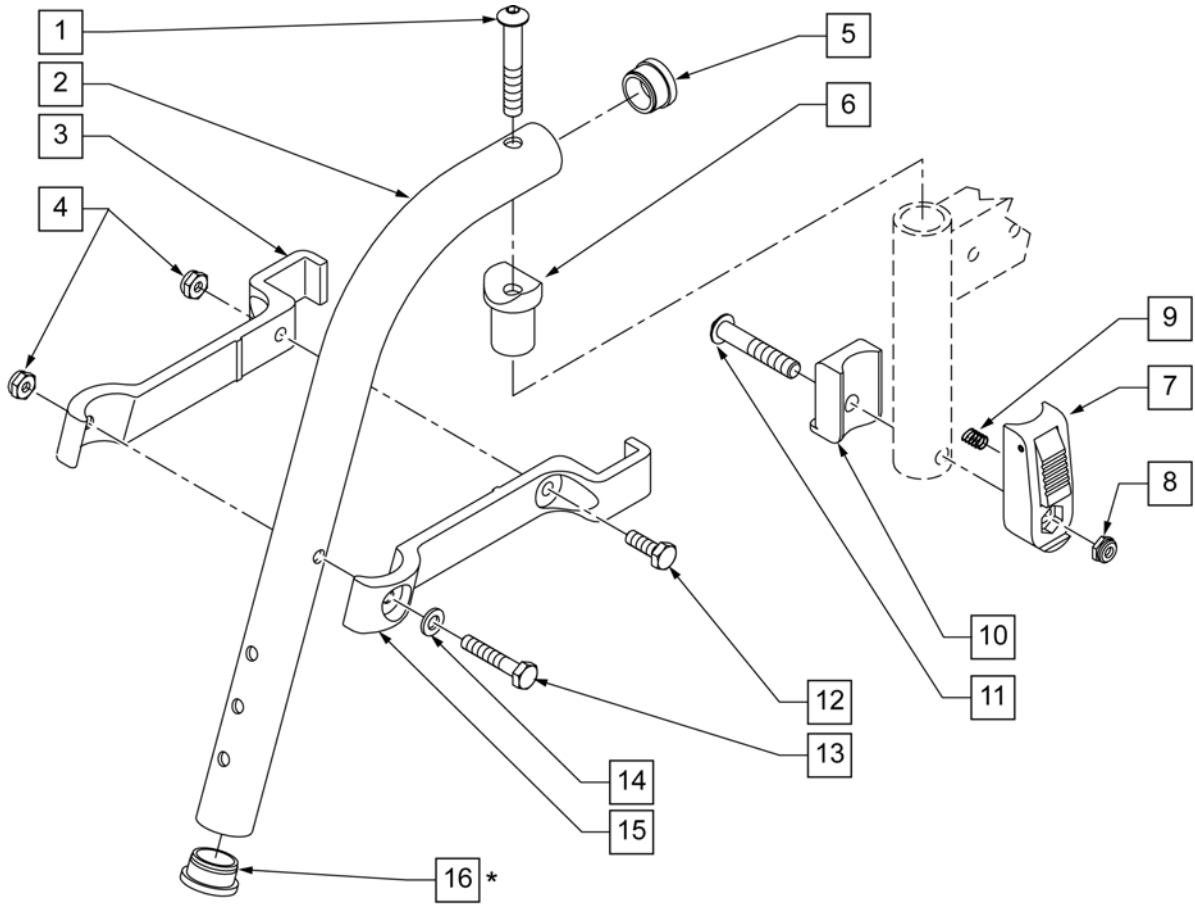
Pos.	Item Number	Description	Remarks
1	226217	5/16-18 x 2 BH C/S BLK	
3	561002	1" INSERT PLUG .083	
4	561197	PLASTIC PIVOT SADDLE	
5	226057	10/24 x .725 BTTN HD SOC BZ	
6	561079	S/A LATCH LEVER	
7	321136	S/A SPRING L RED	LEFT
7	321137	S/A SPRING R CLEAR	RIGHT
8,9	881500	LATCH BLOCK ASSM R	RIGHT
8,9	881501	LATCH BLOCK ASSM L	LEFT
1-9	641144S	HANGER 80D R PNTD S/A F/MT	RIGHT
1-9	641145S	HANGER 80D L PNTD S/A F/MT	LEFT
5-9	881521	S/A LATCH KIT CASTING	RIGHT
5-9	881522	S/A LATCH KIT CASTING	LEFT

NOTE: DISCONTINUED ON LX/LXI 10/24/2008 -PARTS ONLY FOR CHAIRS BUILT PRIOR TO SERIAL NUMBER LX-034330.



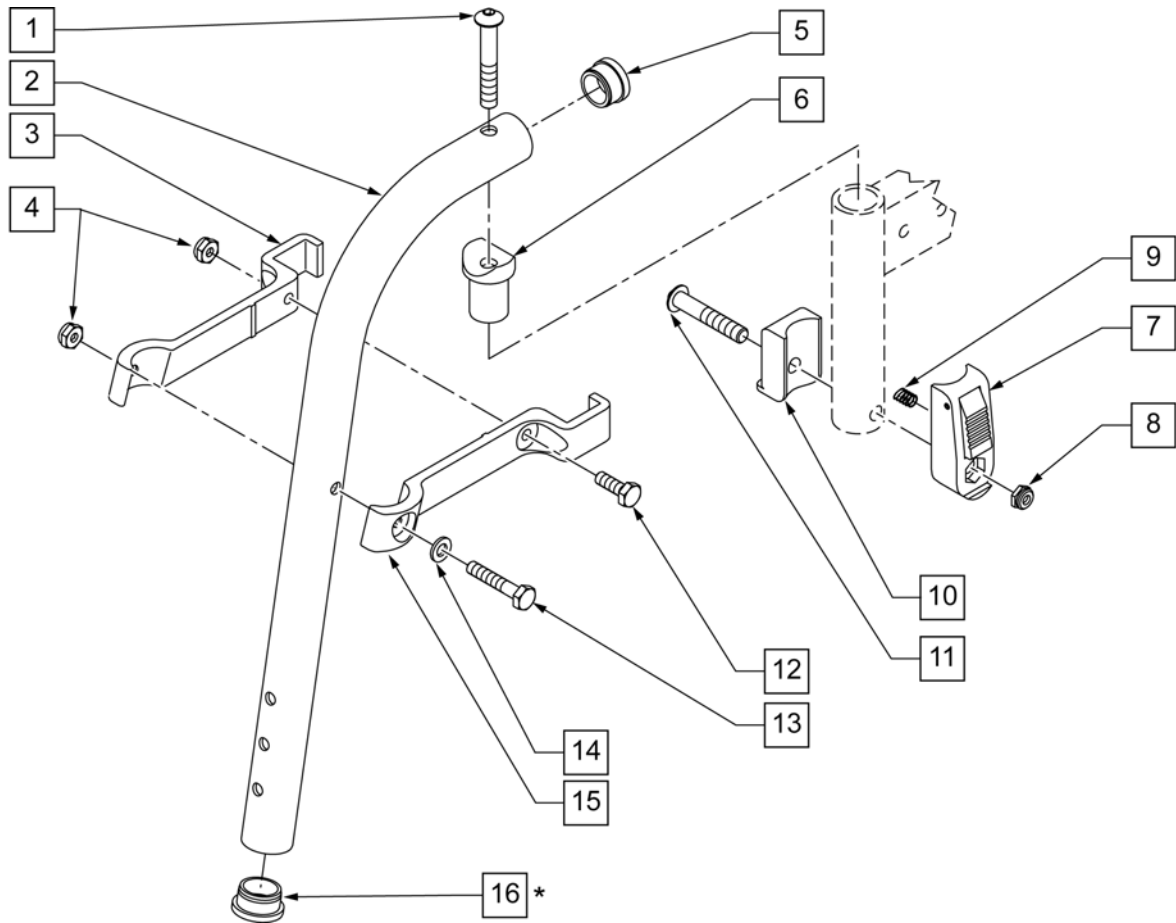
Pos.	Item Number	Description	Remarks
1	226217	5/16-18 x 2 BH C/S BLK	
2	561002	1" INSERT PLUG .083	
3	561197	PLASTIC PIVOT SADDLE	
4	226057	10/24 x .725 BTTN HD SOC BZ	
5	561079	S/A LATCH LEVER	
6	321136	S/A SPRING L RED	LEFT
6	321137	S/A SPRING R CLEAR	RIGHT
1,3	880545	PIVOT SADDLE .125 W/SCREW	
7,9	881500	LATCH BLOCK ASSM R	RIGHT
7,9	881501	LATCH BLOCK ASSM L	LEFT
1-9	641556S	HANGER 90D R PNTD S/A	RIGHT
1-9	641557S	HANGER 90D L PNTD S/A	LEFT
5-9	881521	S/A LATCH KIT CASTING	RIGHT
5-9	881522	S/A LATCH KIT CASTING	LEFT

NOTE: * ORDER ITEM 16 WHEN NOT USING FOOTREST EXTENSION.



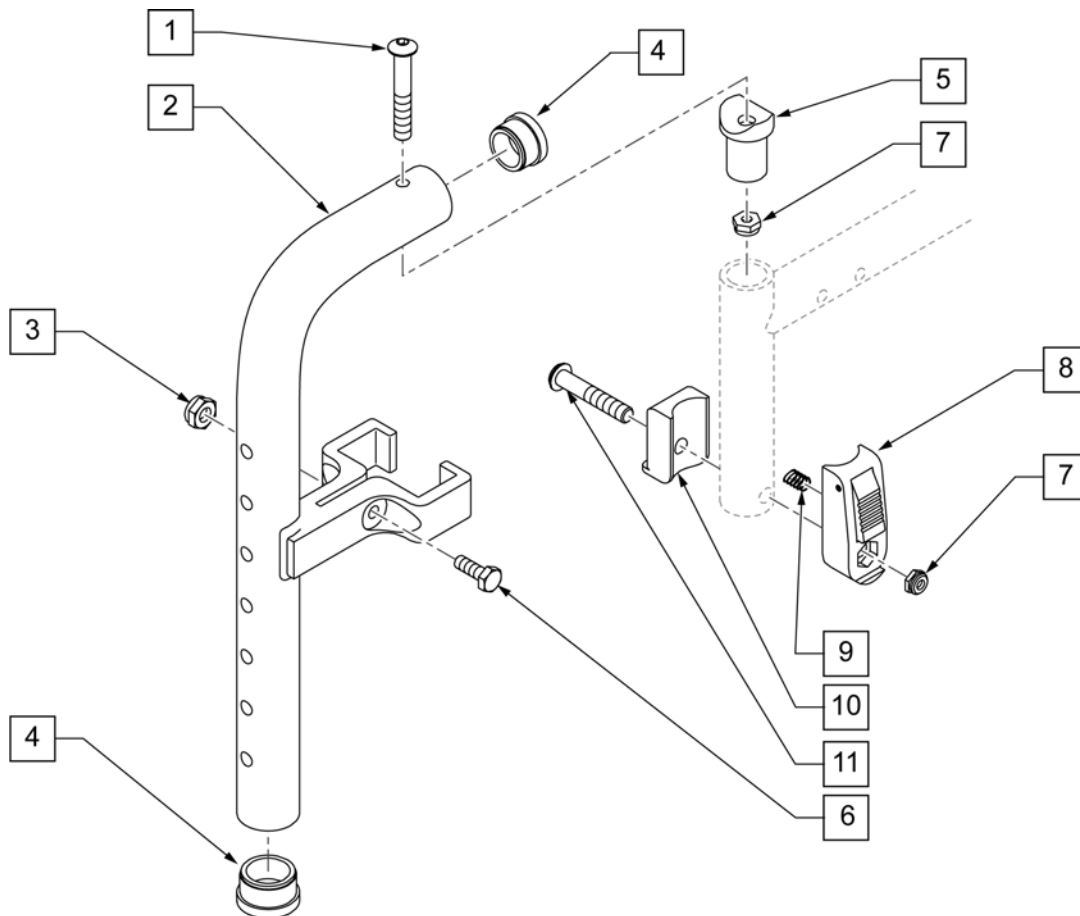
Pos.	Item Number	Description	Remarks
1	106983	BHCS 5/16 -18 x 2 SHLDR ROHS	
3	550152	T45 HANGER BRACKET 70° R	
4	106935	NUT NYLOCK THIN 1/4 -28 ROHS	
5	561002	1" INSERT PLUG .083	
6	561197	PLASTIC PIVOT SADDLE	
7	880053	FOOTREST BLOCK T45	
8	202117	5/16-18 NYLOCK NUT THICK BLK	
9	321141	.650 x 6 COIL SPRING	
10	560684	T45 FOOTREST BLOCK RECESSED	
11	107029	BHCS 5/16 -18 x 1 5/8 SHLD ROHS	
12	107014	HHCS 1/4 -28 x 3/4 ROHS	
13	106971	HHCS 1/4 -28 x 1 3/8 ROHS	
14	106943	WASHER FLAT AN 1/4 ROHS	
15	550153	T45 HANGER BRACKET 70° L	
16	561002	1" INSERT PLUG .083	ORDER WHEN NOT USING FOOTREST EXTENSION
7-11	920720	FOOTREST BLOCK ASSEMBLY W/BOLT HD	
1-6,12-15	641210S	HANGER 70D PNTD R HD	
1-6,12-15	641211S	HANGER 70D PNTD L HD	

NOTE: * ORDER ITEM 16 WHEN NOT USING FOOTREST EXTENSION.

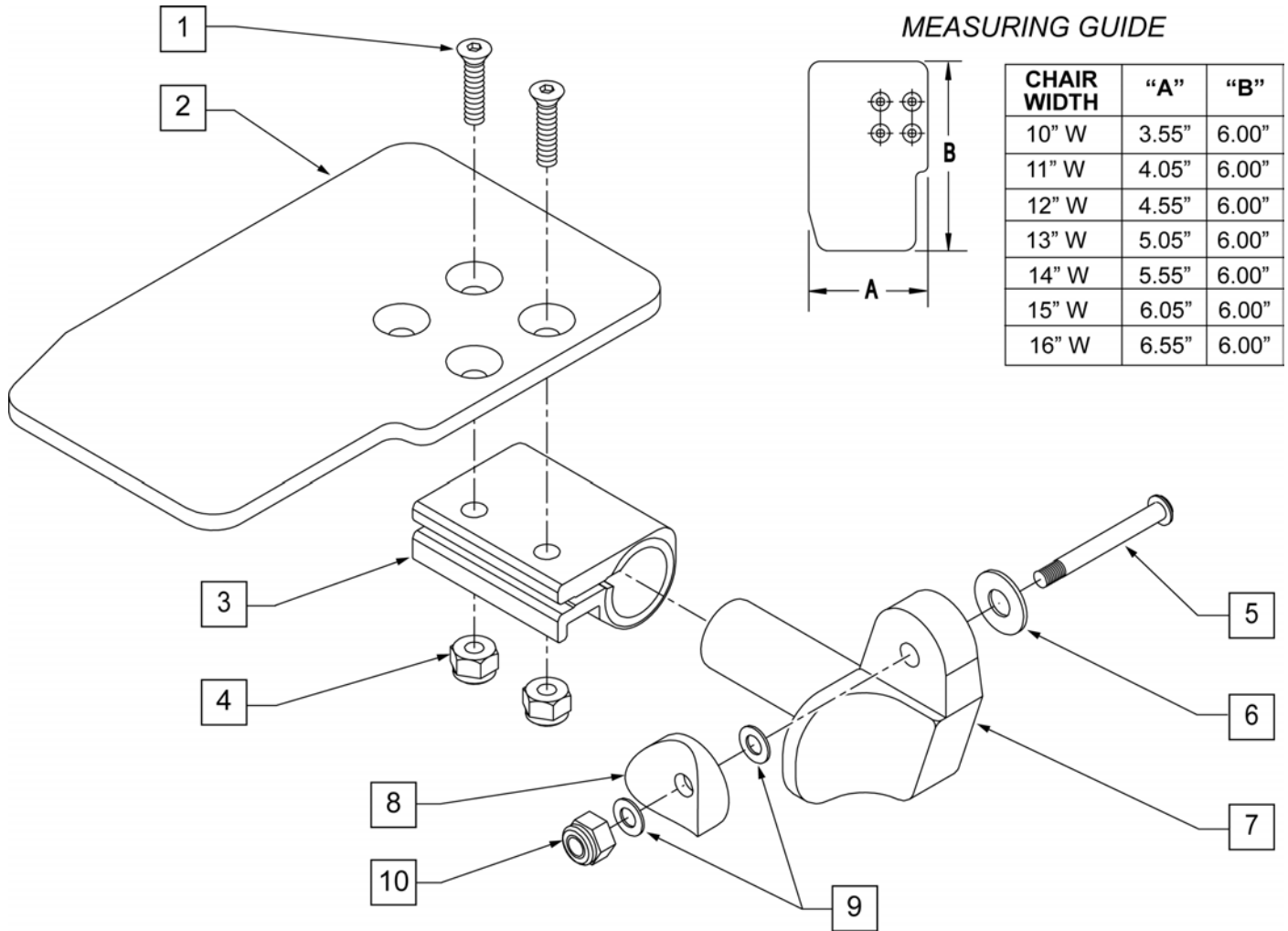


Pos.	Item Number	Description	Remarks
1	106983	BHCS 5/16 -18 x 2 SHLDR ROHS	
3	550154	T45 HANGER BRACKET 80° R	
4	106935	NUT NYLOCK THIN 1/4 -28 ROHS	
5	561002	1" INSERT PLUG .083	
6	561197	PLASTIC PIVOT SADDLE	
7	880053	FOOTREST BLOCK T45	
8	202117	5/16-18 NYLOCK NUT THICK BLK	
9	321141	.650L x 6 COIL SPRING	
10	560684	T45 FOOTREST BLOCK RECESSED	
11	107029	BHCS 5/16 -18 x 1 5/8 SHLD ROHS	
12	107014	HHCS 1/4 -28 x 3/4 ROHS	
13	106971	HHCS 1/4 -28 x 1 3/8 ROHS	
14	106943	WASHER FLAT AN 1/4 ROHS	
15	550155	T45 HANGER BRACKET 80° L	
16	561002	1" INSERT PLUG .083	ORDER WHEN NOT USING FOOTREST EXTENSION
7-11	920720	FOOTREST BLOCK ASSEMBLY W/BOLT HD	
1-6,12-15	641200S	HANGER 80D PNTD R HD	
1-6,12-15	641201S	HANGER 80D PNTD L HD	

NOTE: THIS HANGER HAS BEEN TESTED AND APPROVED FOR OCCUPANTS THAT WEIGH LESS THAN 150 POUNDS.

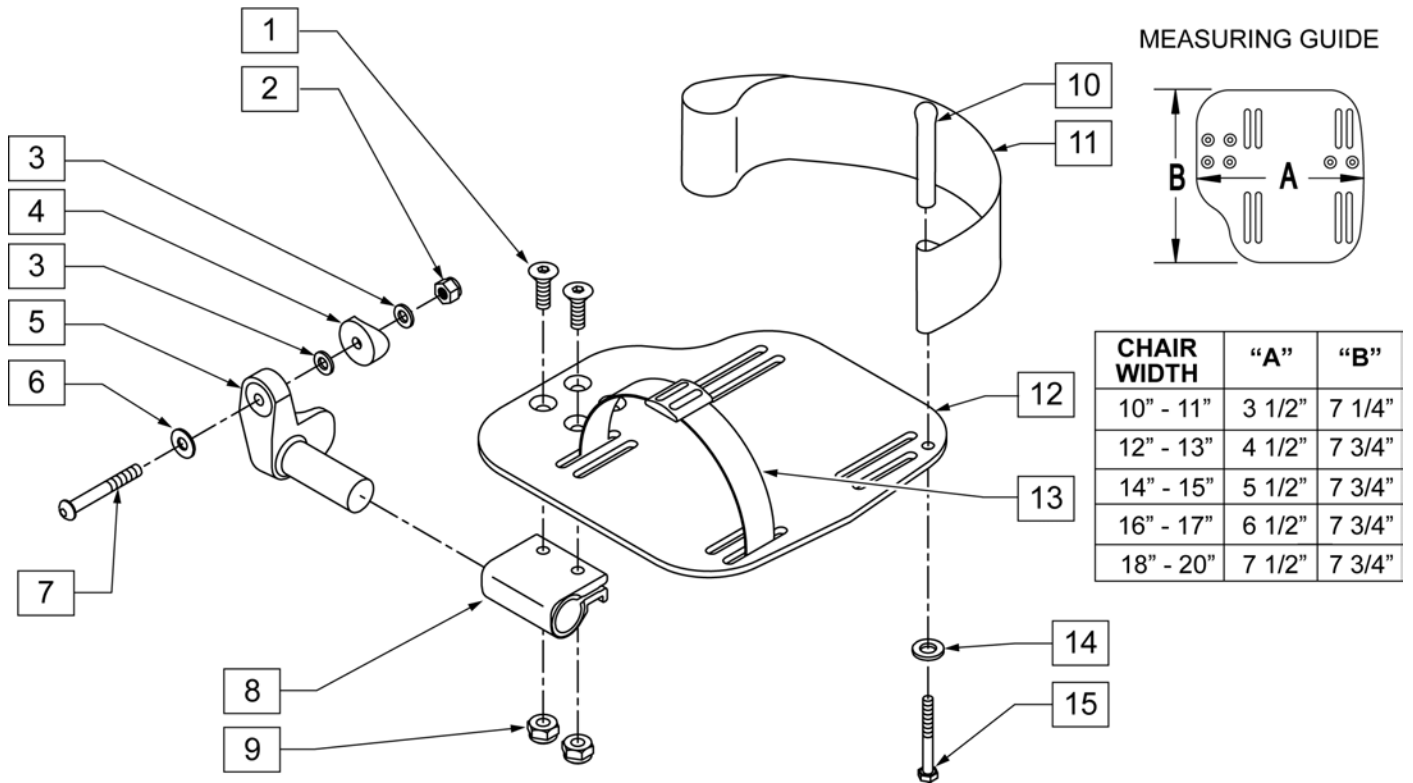


Pos.	Item Number	Description	Remarks
1	106983	BHCS 5/16 -18 x 2 SHLDR ROHS	
3	106935	NUT NYLOCK THIN 1/4 -28 ROHS	
4	561002	1" INSERT PLUG .083	
5	561197	PLASTIC PIVOT SADDLE	Includes nylock nut
6	107013	HHCS 1/4 -28 x 5/8 ROHS	
7	880053	FOOTREST BLOCK T45	
8	202117	5/16-18 NYLOCK NUT THICK BLK	
9	321141	.650L x 6 COIL SPRING	
10	560684	T45 FOOTREST BLOCK RECESSED	
11	107029	BHCS 5/16 -18 x 1 5/8 SHLD ROHS	
7-11	920720	FOOTREST BLOCK ASSM W/BOLT HD	
1-7	885005S	90 DEG F/D H/D L/O HNGR ASSM PNTD	



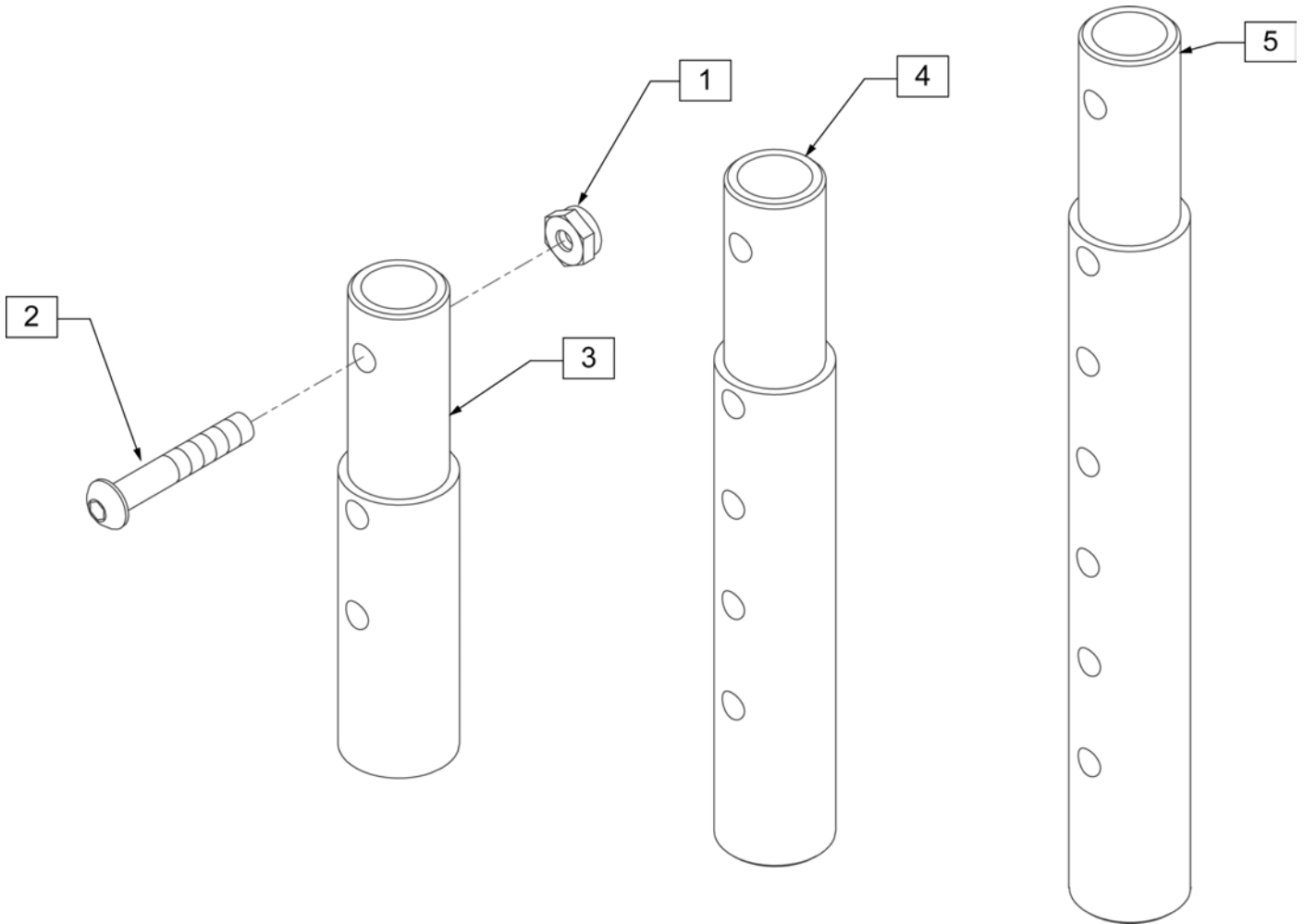
Pos.	Item Number	Description	Remarks	Pos.	Item Number	Description	Remarks
1	106978	FHCS 1/4-28 X 7/8 ROHS		7	541001	FTRST MOUNTING BRKT 1 RAD	LEFT
2	500635	KIDS ANGL ADJ F/PLT 10	RIGHT	8	561004	1 SADDLE 1/4 HOLE	
2	500636	KIDS ANGL ADJ F/PLT 10	LEFT	9	106943	WASHER FLAT THIN AN 1/4	
2	500637	KIDS ANGL ADJ F/PLT 11	RIGHT	10	106941	NUT AUTOMATION 1/4-28 ROHS	
2	500638	KIDS ANGL ADJ F/PLT 11	LEFT	1-10	828821	KIDS ANG ADJ F/PLT ASSM 10	RIGHT
2	500639	KIDS ANGL ADJ F/PLT 12	RIGHT	1-10	828822	KIDS ANG ADJ F/PLT ASSM 10	LEFT
2	500640	KIDS ANGL ADJ F/PLT 12	LEFT	1-10	828823	KIDS ANG ADJ F/PLT ASSM 11	RIGHT
2	500641	KIDS ANGL ADJ F/PLT 13	RIGHT	1-10	828824	KIDS ANG ADJ F/PLT ASSM 11	LEFT
2	500642	KIDS ANGL ADJ F/PLT 13	LEFT	1-10	828825	KIDS ANG ADJ F/PLT ASSM 12	RIGHT
2	500643	KIDS ANGL ADJ F/PLT 14	RIGHT	1-10	828826	KIDS ANG ADJ F/PLT ASSM 12	LEFT
2	500644	KIDS ANGL ADJ F/PLT 14	LEFT	1-10	828827	KIDS ANG ADJ F/PLT ASSM 13	RIGHT
2	500645	KIDS ANGL ADJ F/PLT 15	RIGHT	1-10	828828	KIDS ANG ADJ F/PLT ASSM 13	LEFT
2	500646	KIDS ANGL ADJ F/PLT 15	LEFT	1-10	828829	KIDS ANG ADJ F/PLT ASSM 14	RIGHT
2	500647	KIDS ANGL ADJ F/PLT 16	RIGHT	1-10	828830	KIDS ANG ADJ F/PLT ASSM 14	LEFT
2	500648	KIDS ANGL ADJ F/PLT 16	LEFT	1-10	828831	KIDS ANG ADJ F/PLT ASSM 15	RIGHT
3	550350	3/4 CLAMP ADJ FOOTPLATE		1-10	828832	KIDS ANG ADJ F/PLT ASSM 15	LEFT
4	106935	NUT NYLOCK THIN 1/4-28 ROHS		1-10	828833	KIDS ANG ADJ F/PLT ASSM 16	RIGHT
5	226147	1/4-28 X 1.85 BH C/S BLK ZN		1-10	828834	KIDS ANG ADJ F/PLT ASSM 16	LEFT
6	106945	WASHER FLAT SAE 1/4 ROHS		1-10	921226	KIDS ANG ADJ F/PLT ASSM 10	PAIR
7	541000	FTRST MOUNTING BRKT 1 RAD	RIGHT	1-10	921227	KIDS ANG ADJ F/PLT ASSM 11	PAIR

Pos.	Item Number	Description	Remarks	Pos.	Item Number	Description	Remarks
1-10	921228	KIDS ANG ADJ F/PLT ASSM 12	PAIR	1-10	921231	KIDS ANG ADJ F/PLT ASSM 15	PAIR
1-10	921229	KIDS ANG ADJ F/PLT ASSM 13	PAIR	1-10	921232	KIDS ANG ADJ F/PLT ASSM 16	PAIR
1-10	921230	KIDS ANG ADJ F/PLT ASSM 14	PAIR				

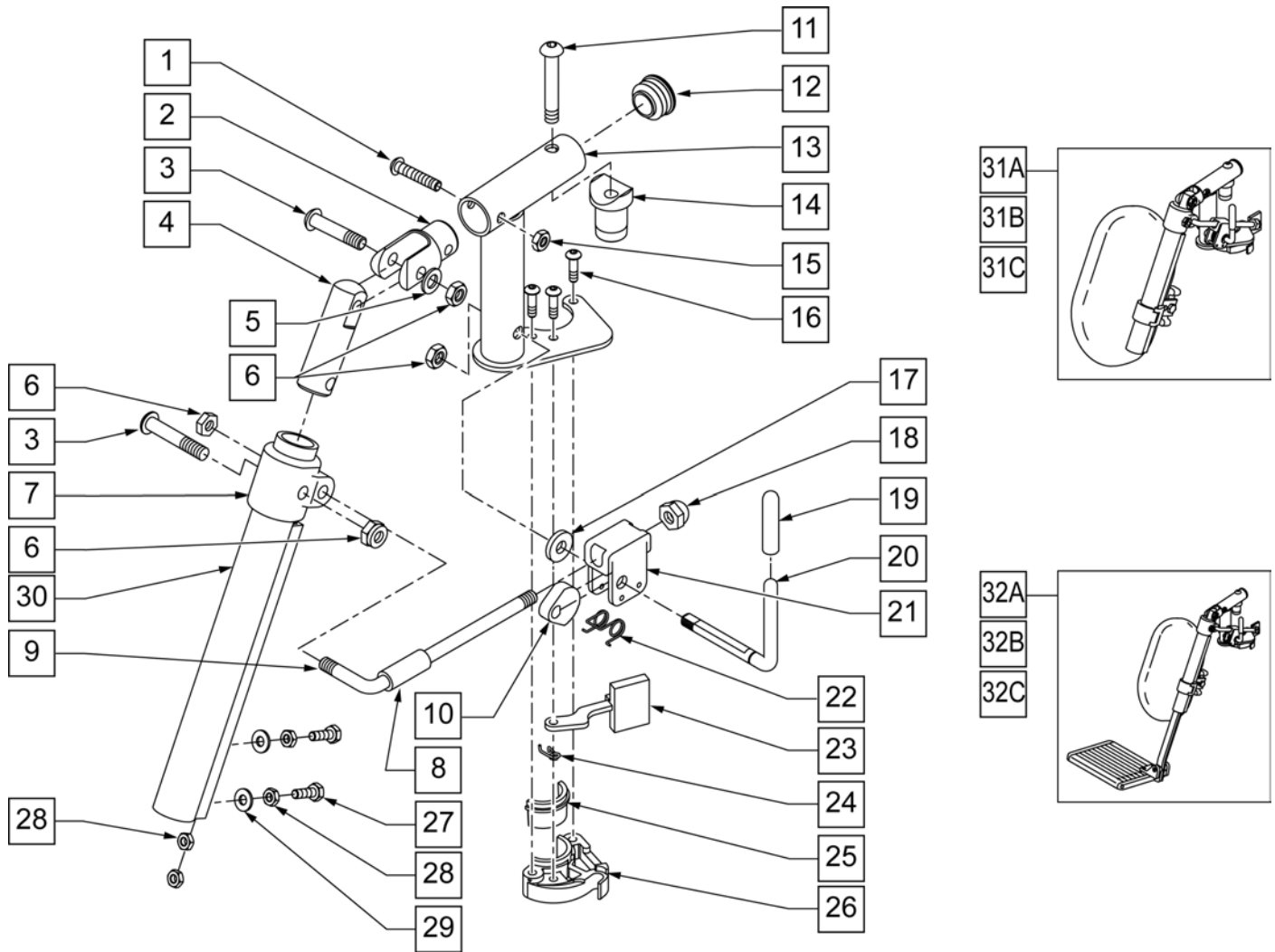


Pos.	Item Number	Description	Remarks
1	106978	FHCS 1/4-28 X 7/8 ROHS	
2	106941	NUT AUTOMATION 1/4-28 ROHS	
3	106943	WASHER FLAT AN 1/4 ROHS	
4	561004	1" SADDLE 1/4" HOLE	
5	541000	FOOTREST MOUNTING BRKT-1" RAD	RIGHT
5	541001	FOOTREST MOUNTING BRKT-1" RAD	LEFT
6	106945	WASHER FLAT SAE 1/4 ROHS	
7	106964	BHCS 1/4-28 X 2	
8	550350	3/4" CLAMP ADJ FOOTPLATE	
9	106935	NUT NYLOCK THIN 1/4-28 ROHS	
10	561040	HEEL LOOP PEG	
11	741153	HEEL LOOP 18-20 CMPST/14-15 ANG ADJ	USED W/ 14-15"/16-17" ADULT ANG ADJ FTPLTS
11	741253	HEEL LOOP ADLT ADJ F/PLT 18-20	USED W/ 18 -20" ADULT ANG ADJ FTPLTS
12	500656	ADULT ANGL ADJ F/PLT 10/11	RIGHT
12	500657	ADULT ANGL ADJ F/PLT 10/11	LEFT
12	500658	ADULT ANGL ADJ F/PLT 12/13	RIGHT
12	500659	ADULT ANGL ADJ F/PLT 12/13	LEFT
12	500660	ADULT ANGL ADJ F/PLT 14/15	RIGHT
12	500661	ADULT ANGL ADJ F/PLT 14/15	LEFT
12	500662	ADULT ANGL ADJ F/PLT 16/17	RIGHT
12	500663	ADULT ANGL ADJ F/PLT 16/17	LEFT
12	500664	ADULT ANGL ADJ F/PLT 18-20	RIGHT
12	500665	ADULT ANGL ADJ F/PLT 18-20	LEFT
13	740260	TOE-ANKLE STRAP ADJ ADULT FOOTPLATE	
14	106943	WASHER FLAT AN 1/4 ROHS	

Pos.	Item Number	Description	Remarks
15	106958	HHCS 1/4-20 X 1 ROHS	
1-9,12	820544	FP ADULT ADJ 90D 10/11 R	RIGHT
1-9,12	820554	FP ADULT ADJ 90D 10/11 L	LEFT
1-9,12	820546	FP ADULT ADJ 90D 12/13 R	RIGHT
1-9,12	820556	FP ADULT ADJ 90D 12/13 L	LEFT
1-9,12	820472	FP ADULT ADJ 90D 14/15 R	RIGHT
1-9,12	820473	FP ADULT ADJ 90D 14/15 L	LEFT
1-9,12	820474	FP ADULT ADJ 90D 16/17 R	RIGHT
1-9,12	820475	FP ADULT ADJ 90D 16/17 L	LEFT
1-9,12	820476	FP ADULT ADJ 90D 18-20 R	RIGHT
1-9,12	820477	FP ADULT ADJ 90D 18-20 L	LEFT
1-9,12	921474	ADULT ANGL ADJ 90D 10/11 OMIT H/L	PAIR
1-9,12	921476	ADULT ANGL ADJ 90D 12/13 OMIT H/L	PAIR
1-9,12	921330	ADULT ANGL ADJ 90D 14/15 OMIT H/L	PAIR
1-9,12	921331	ADULT ANGL ADJ 90D 16/17 OMIT H/L	PAIR
1-9,12	921332	ADULT ANGL ADJ 90D 18-20 OMIT H/L	PAIR
1-12,14,15	820540	F/PLT ADULT ADJ 90D 10/11 R W/ HL	RIGHT
1-12,14,15	820550	F/PLT ADULT ADJ 90D 10/11 L W/ HL	LEFT
1-12,14,15	820542	F/PLT ADULT ADJ 90D 12/13 R W/ HL	RIGHT
1-12,14,15	820552	F/PLT ADULT ADJ 90D 12/13 L W/ HL	LEFT
1-12,14,15	820478	F/PLT ADULT ADJ 90D 14/15 R W/ HL	RIGHT
1-12,14,15	820479	F/PLT ADULT ADJ 90D 14/15 L W/ HL	LEFT
1-12,14,15	820480	F/PLT ADULT ADJ 90D 16/17 R W/ HL	RIGHT
1-12,14,15	820481	F/PLT ADULT ADJ 90D 16/17 L W/ HL	LEFT
1-12,14,15	820482	F/PLT ADULT ADJ 90D 18-20 R W/ HL	RIGHT
1-12,14,15	820483	F/PLT ADULT ADJ 90D 18-20 L W/ HL	LEFT
1-12,14,15	921470	F/PLT ADULT ADJ 90D 10/11 W/ HL	PAIR
1-12,14,15	921472	F/PLT ADULT ADJ 90D 12/13 W/ HL	PAIR
1-12,14,15	921333	F/PLT ADULT ADJ 90D 14/15 W/ HL	PAIR
1-12,14,15	921334	F/PLT ADULT ADJ 90D 16/17 W/ HL	PAIR
1-12,14,15	921335	F/PLT ADULT ADJ 90D 18-20 W/ HL	PAIR

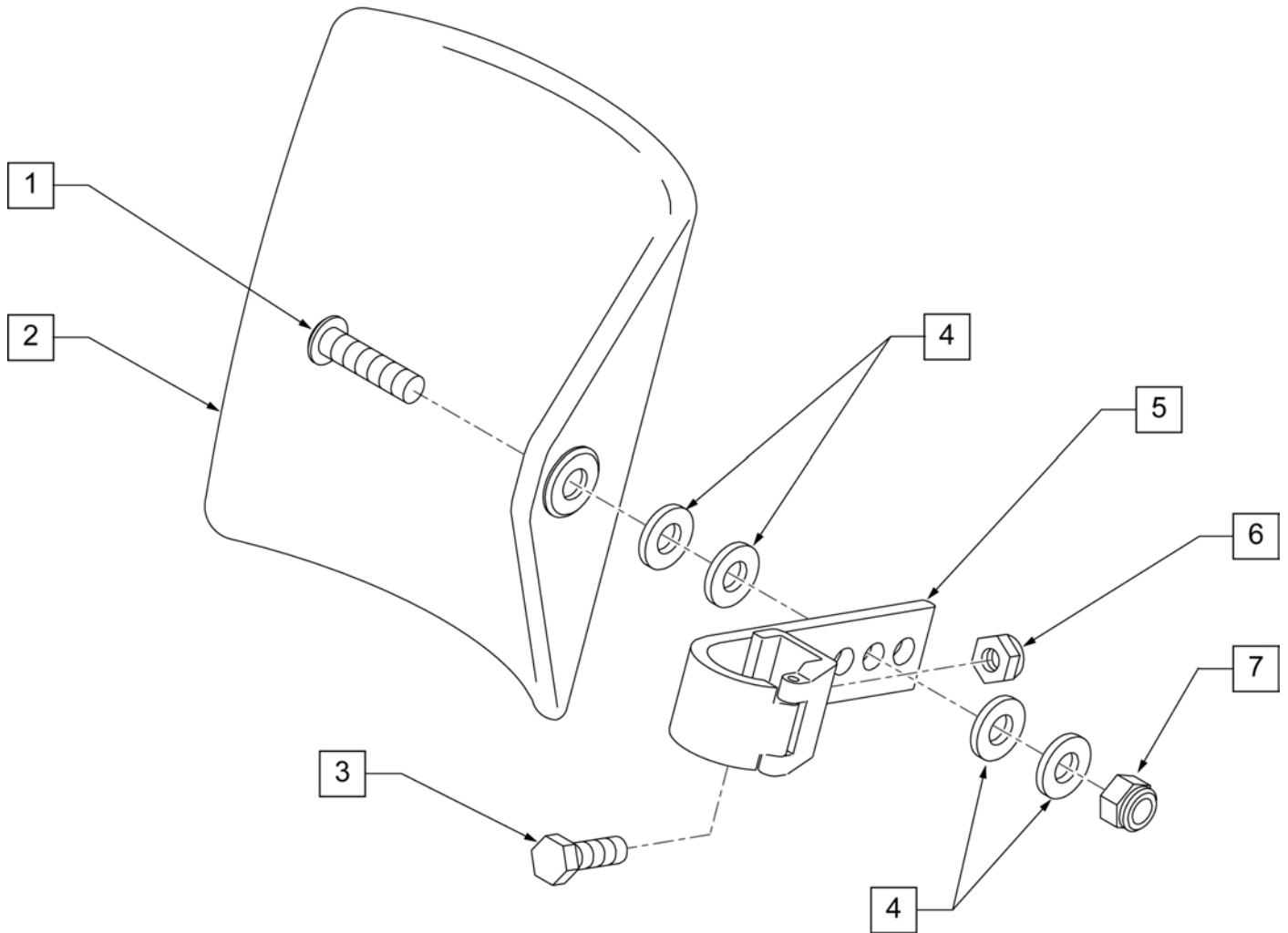


Pos.	Item Number	Description	Remarks
1	106935	NUT NYLOCK THIN 1/4 -28 ROHS	
2	106961	BHCS 1/4 -28 x 1 1/4 ROHS	
1-3	111505	2" FOOTREST EXTENSION TUBE W/ HDWR ASSM	2" EXT (PAIR)
1, 2, 4	111506	4" FOOTREST EXTENSION TUBE W/ HDWR ASSM	4" EXT (PAIR)
1, 2, 5	111507	6" FOOTREST EXTENSION TUBE W/ HDWR ASSM	6" EXT (PAIR)

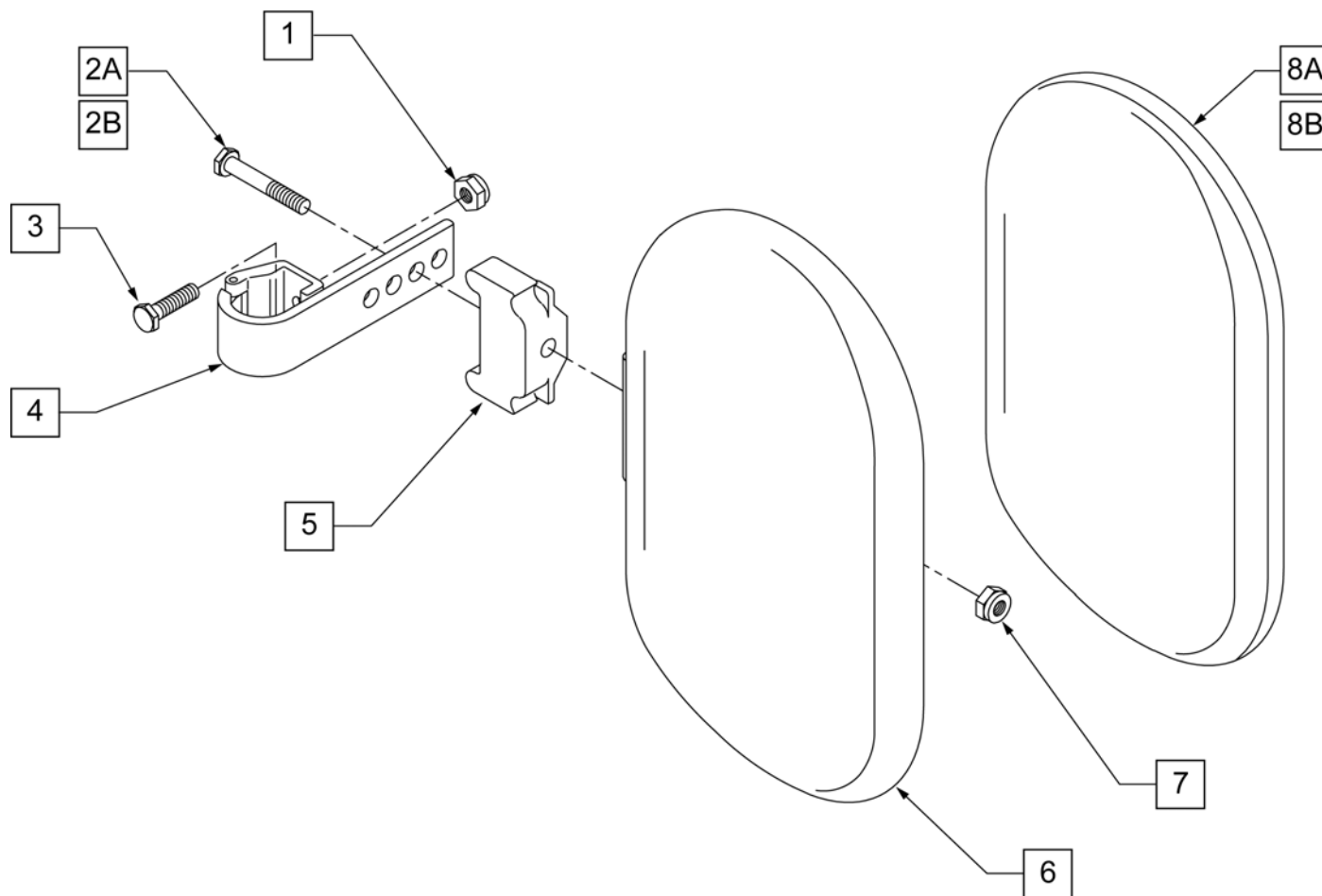


Pos.	Item Number	Description	Remarks
1	106961	1/4-28 X 1 1/4 BH C/S	
2	505281	ELR CLEVIS	
3	107037	BHCS 5/16-24 X 1-1/2 SHLD ROHS	
4	540252	ELR PIVOT PRS	
5	106946	WASHER FLAT AN 5/16 ROHS	
6	106939	NUT NYLOCK THIN 5/16-24 ROHS	
7	560420	ELR UPPER PIVOT PLST	
8	560784	ELR ADJUSTMENT STOP	
9	481117	ELR LOCK ROD	
10	481119	ELR CAM LOCKING POWDERED METAL	
11	106982	BHCS 5/16 -18 x 1 3/4 SHLD ROHS	
12	561062	1" INSERT PLUG .065 RIBS	
14	122729	ELR ALUM PIVOT SADDLE	
15	106935	NUT NYLOCK THIN 1/4-28 ROHS	
16	107035	BHCS 10-24 X .725 PL ROHS	
17	561059	3/4 OD x .318 ID WASHER	
18	202109	5/16-24 ACORN NUT HEX	
19	561049	ELR RELEASE ROD COVER	
19,20	882410S	ELR ACTUATION ARM ASSEMBLY	

Pos.	Item Number	Description	Remarks
21	880990	ELR LOCK HOUSING W/PIN	
22	321106	ELR TORSION SPRING	
23	561079	S/A LATCH LEVER	
24	321136	S/A SPRING L RED	LEFT
24	321137	S/A SPRING R CLEAR	RIGHT
27	107014	1/4-28 x 3/4 HEX C/S	
28	107249	NUT HEX THIN 1/4-28 ROHS	
29	106944	WASHER FLAT THIN AN 1/4 ROHS	
30	550722S	ELR ADJUSTMENT TUBE	
6,8-10,17-22	881077S	ELR LOCK ROD/ARM ASSEMBLY	
25,26	881500	LATCH BLOCK ASSM	RIGHT
25,26	881501	LATCH BLOCK ASSM	LEFT
1-6,11-16,20-24	882413	ELR PIVOT BLOCK ASSM	RIGHT
1-6,11-16,20-24	882414	ELR PIVOT BLOCK ASSM	LEFT
1-26	881422	ELR PIVOT ASSM RIGHT	RIGHT
1-26	881423	ELR PIVOT ASSM LEFT	LEFT
1-30	641452S	ELR HNGR W/O PAD PNTD MNL	RIGHT
1-30	641453S	ELR HNGR W/O PAD PNTD MNL	LEFT
31A	923082S	ELR HNGR ASSM 14-15 W /PAD (PR)	PAIR
31B	923041S	ELR HNGR ASSM W/PAD 16-17"	PAIR
31C	923061S	ELR HNGR ASSM W/PAD 18-20"	PAIR
32A	923088S	ELR HNGR REG EXT 14 15" F/PLT	Pair-includes short extensions, 11.5" - 15.5"
32B	923084S	ELR HNGR REG EXT 16 17" F/PLT	Pair-includes short extensions, 11.5" - 15.5"
32C	923085S	ELR HNGR REG EXT 18-20" F/PLT	Pair-includes short extensions, 11.5" - 15.5"
16,23-26	881521	S/A LATCH KIT CASTING RIGHT	RIGHT
16,23-26	881522	S/A LATCH KIT CASTING LEFT	LEFT



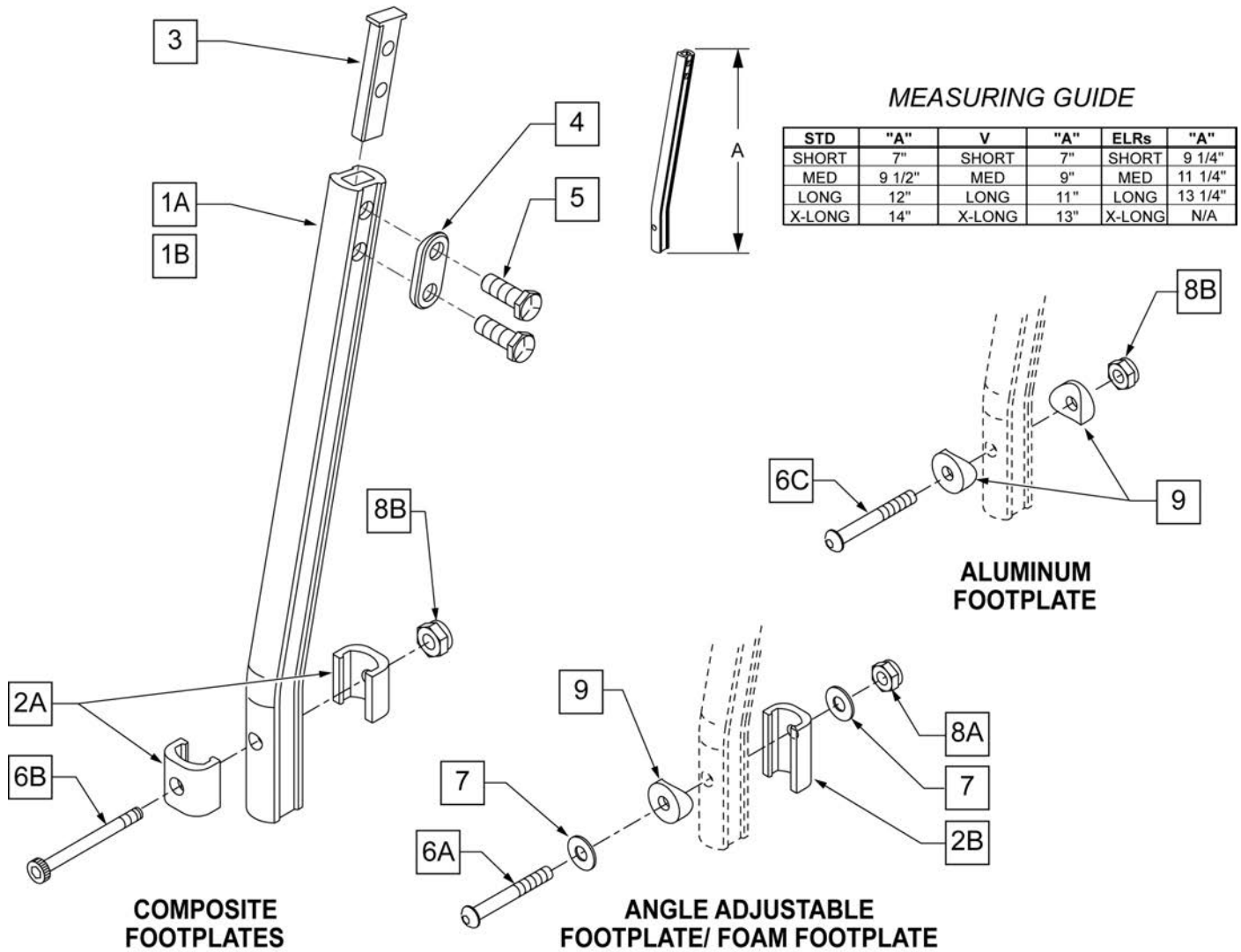
Pos.	Item Number	Description
1	106980	BHCS 5/16-18 X 1-1/4 ROHS
2	755014	CALF PAD TROUGH STYLE 14"/16"
3	107013	HHCS 1/4-28 X 5/8 ROHS
4	561016	1" WASHER 5/16" HOLE
5	881413	CALF PAD BRACKET ASSEMBLY
6	106934	NUT NYLOCK 1/4-28 ROHS
7	202117	5/16-18 NYLOCK NUT THICK BLK
1-7	881414	CALF PAD J-HOOK 14"-15" ASSEMBLY



Pos.	Item Number	Description	Remarks
1	106934	NUT NYLOCK 1/4-28 ROHS	
2A	107018	HHCS 5/16-18 X 2-1/2 ROHS	16"-17" wide only
2B	107019	HHCS 5/16-18 X 3-1/2 ROHS	18"-20" wide only
3	107013	HHCS 1/4-28 X 5/8 ROHS	
4	881413	CALF PAD BRACKET ASSEMBLY	
5	560199	ELR CALF HINGE SPACER	18"-20" wide only
6	560108	CALF PAD MOLDED 16"-20"	
7	106936	NUT NYLOCK 5/16-18 ROHS	
8A	751045	CALF PAD COVER	
8B	751046	CALF PAD COVER (BREEZY)	
1,2A,3,4,6,7,8A	881416	CALF MOLDED 16"-17" ASSEMBLY	
1,2B,3-7,8A	881412	CALF PAD MOLDED 18"-20" ASSEMBLY	

NOTE: IF REPLACING AN EXTENSION TUBE ON AN MANUAL ALR PLEASE REFER TO THE ROUND EXT TUBE PARTS MANUAL PAGE.

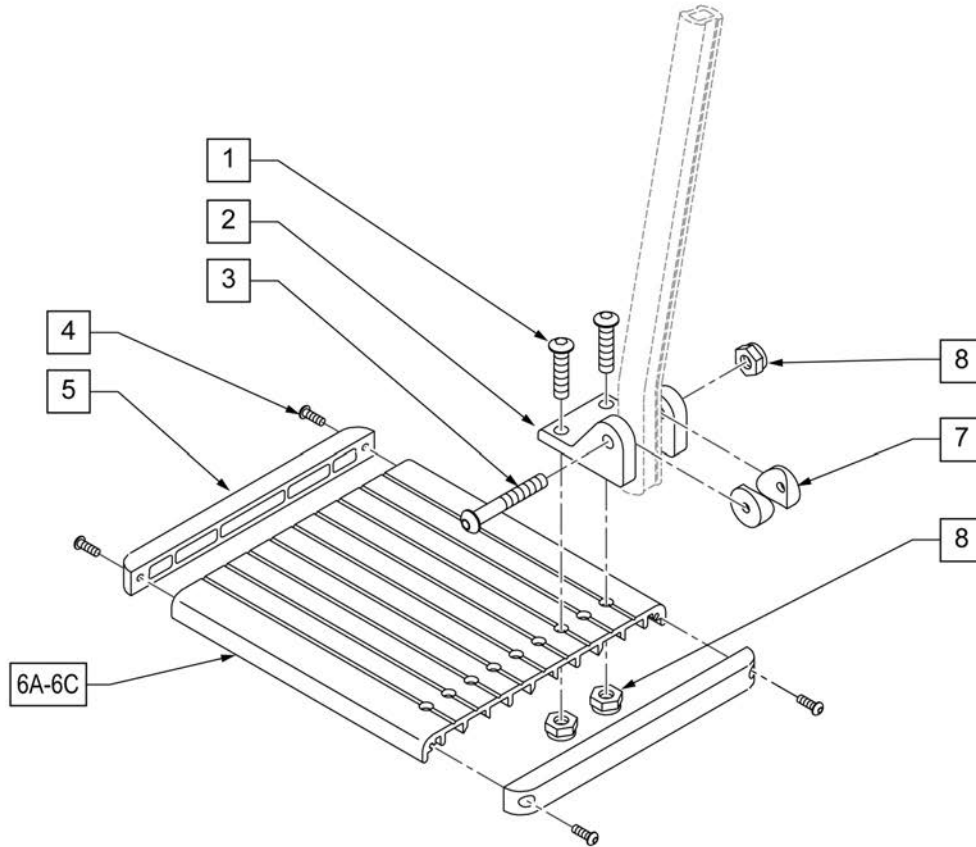
NOTE: WHEN ORDERING REPLACEMENT EXTENSION TUBES PLEASE VERIFY IF YOU HAVE THE OLD STYLE DOUBLE D EXTENSION TUBE OR THE NEW STYLE DOUBLE D EXTENSION TUBE. THIS CAN BE DONE BY REVIEWING THE HANGER THE EXTENSION TUBE IS USED ON. IF THE HANGER UTILIZES A SINGLE SET SCREW AT THE BOTTOM OF THE HANGER TUBE TO ATTACH THE EXTENSION TUBE TO THE HANGER, THEN THIS UTILIZES THE NEW STYLE DOUBLE D EXT TUBE ALL OTHER HANGERS REQUIRING A DOUBLE D EXTENSION TUBE UTILIZE THE OLD STYLE.



Pos.	Item Number	Description	Remarks
1A	550819	EXT TUBE S/A ONLY SHT	Short Ext-Swing Away Hanger
1A	550820	EXT TUBE S/A ONLY MED	Med Ext-Swing Away Hanger
1A	550821	EXT TUBE S/A ONLY LONG	Long Ext-Swing Away Hanger
1A	550822	EXT TUBE S/A ONLY X-LONG	X-Long Ext-Swing Away Hanger
1B	550834	EXT TUBE V IN ONLY D2 SHT R	Right Short Ext-Swing Away Hanger
1B	550835	EXT TUBE V IN ONLY D2 SHT L	Left Short Ext-Swing Away Hanger

Pos.	Item Number	Description	Remarks
1B	550836	EXT TUBE V IN ONLY D2 MED R	Right Med Ext-Swing Away Hanger
1B	550837	EXT TUBE V IN ONLY D2 MED L	Left Med Ext-Swing Away Hanger
1B	550838	EXT TUBE V IN ONLY D2 LONG R	Right Long Ext-Swing Away Hanger
1B	550839	EXT TUBE V IN ONLY D2 LONG L	Left Long Ext-Swing Away Hanger
1B	550840	EXT TUBE V IN ONLY D2 X-LONG R	Right X-Long Ext-Swing Away Hanger
1B	550841	EXT TUBE V IN ONLY D2 X-LONG L	Left X-Long Ext-Swing Away Hanger
2A	483718	HANGER EXTENSION SADDLE	USE W/ COMPOSITE FTPLT
2B	483720	HANGER EXTENSION SADDLE LONG	USE W/ ANGLE ADJ FTPLT
1C	550764	S/A HANGER EXT D2 SHORT BLACK	Short Ext ELR Hangers
1C	550765	S/A HANGER EXT D2 MED BLACK	Medium Ext ELR Hangers
1C	550766	S/A HANGER EXT D2 LONG BLACK	Long Ext ELR Hangers
3	500078	INSERT D2 EXT TUBE	
4	483717	HANGER SADDLE	
5	221102	1/4-28 x 3/4 HEX HEAD C/S BLK W/PTCH	
6A	106962	1/4-28 x 1 3/4 BH C/S BLK ZN	USE W/ ANGLE ADJ FTPLT
6B	226165	1/4 -28 x 2 1/2 SOC C/S	USE W/ COMPOSITE FTPLT
6C	226147	1/4 -28 X 1.85 BH C/S	
7	106945	1/4" SAE WASHER	
8A	106941	1/4 -28 AUTOMATION NUT	USE W/ ANGLE ADJ FTPLT
8B	106935	1/4 -28 NYLOCK NUT THIN	USE W/ COMPOSITE FTPLT
9	561055	3/4 SADDLE 1" OD	USE W/ ANGLE ADJ FTPLT
1A,2A-5	921759	EXT TUBE S/A SHT ASSM PCKT	USE W/ COMPOSITE FTPLT
1A,2A-5	921760	EXT TUBE S/A MED ASSM PCKT	USE W/ COMPOSITE FTPLT
1A,2A-5	921761	EXT TUBE S/A LONG ASSM PCKT	USE W/ COMPOSITE FTPLT
1A,2A-5	921762	EXT TUBE S/A X-LONG ASSM PCKT	USE W/ COMPOSITE FTPLT
1B,2A-5	921751	EXT TUBE "V" D2 SHT R ASSM PCKT	RIGHT - USE W/ COMPOSITE FTPLT V HANGER
1B,2A-5	921752	EXT TUBE "V" D2 SHT L ASSM PCKT	LEFT - USE W/ COMPOSITE FTPLT V HANGER
1B,2A-5	921753	EXT TUBE "V" D2 MED R ASSM PCKT	RIGHT - USE W/ COMPOSITE FTPLT V HANGER
1B,2A-5	921754	EXT TUBE "V" D2 MED L ASSM PCKT	LEFT - USE W/ COMPOSITE FTPLT V HANGER
1B,2A-5	921755	EXT TUBE "V" D2 LONG R ASSM PCKT	RIGHT - USE W/ COMPOSITE FTPLT V HANGER
1B,2A-5	921756	EXT TUBE "V" D2 LONG L ASSM PCKT	LEFT - USE W/ COMPOSITE FTPLT V HANGER
1B,2A-5	921757	EXT TUBE "V" D2 X-LONG R ASSM PCKT	RIGHT - USE W/ COMPOSITE FTPLT V HANGER
1B,2A-5	921758	EXT TUBE "V" D2 X-LONG L ASSM PCKT	LEFT - USE W/ COMPOSITE FTPLT V HANGER
1A,2A-7,9	921772	EXT TUBE S/A SHT ANG ADJ PCKT	USE W/ ANGLE ADJ FTPLT
1A,2A-7,9	921773	EXT TUBE S/A MED ANG ADJ PCKT	USE W/ ANGLE ADJ FTPLT
1A,2A-7,9	921774	EXT TUBE S/A LONG ANG ADJ PCKT	USE W/ ANGLE ADJ FTPLT
1A,2A-7,9	921775	EXT TUBE S/A X-LONG ANG ADJ PCKT	USE W/ ANGLE ADJ FTPLT
1B,2A-7,9	921764	EXT TUBE "V" D2 SHT R ANG ADJ PCKT	RIGHT - USE W/ ANGLE ADJ FTPLT V HANGER
1B,2A-7,9	921765	EXT TUBE "V" D2 SHT L ANG ADJ PCKT	LEFT - USE W/ ANGLE ADJ FTPLT V HANGER
1B,2A-7,9	921766	EXT TUBE "V" D2 MED R ANG ADJ PCKT	RIGHT - USE W/ ANGLE ADJ FTPLT V HANGER
1B,2A-7,9	921767	EXT TUBE "V" D2 MED L ANG ADJ PCKT	LEFT - USE W/ ANGLE ADJ FTPLT V HANGER
1B,2A-7,9	921768	EXT TUBE "V" D2 LONG R ANG ADJ PCKT	RIGHT - USE W/ ANGLE ADJ FTPLT V HANGER
1B,2A-7,9	921769	EXT TUBE "V" D2 LONG L ANG ADJ PCKT	LEFT - USE W/ ANGLE ADJ FTPLT V HANGER
1B,2A-7,9	921770	EXT TUBE "V" D2 X-LONG R ANG AD PCKT	RIGHT - USE W/ ANGLE ADJ FTPLT V HANGER
1B,2A-7,9	921771	EXT TUBE "V" D2 X-LONG L ANG AD PCKT	LEFT - USE W/ ANGLE ADJ FTPLT V HANGER

NOTE: Left Side Shown



Pos.	Item Number	Description	Remarks
1	106959	1/4-28 x 5/8 BH C/S	
2	550739	FOOTPLATE MOUNTING BRACKET	
3	226147	1/4-28 x 1.85 BH C/S	
4	281043	#4 x 5/8 PAN PHIL S/TAP	
5	560101	END CAPS FOOTREST	
7	561003	3/4" SADDLE THIN	
8	106935	1/4-28 NYLOCK NUT THIN	
4,5,6A	882337	ELR FOOTPLATE ASSEMBLY 14 -15"	
4,5,6B	882338	ELR FOOTPLATE ASSEMBLY 16 -17"	
4,5,6C	882339	ELR FOOTPLATE ASSEMBLY 18 -20"	
1-5,6A-8	921400S	ELR FOOTPLATE KIT 14 -15"	Does not include Extension
1-5,6B-8	921401S	ELR FOOTPLATE KIT 16 -17"	Does not include Extension
1-5,6C-8	921402S	ELR FOOTPLATE KIT 18 -20"	Does not include Extension

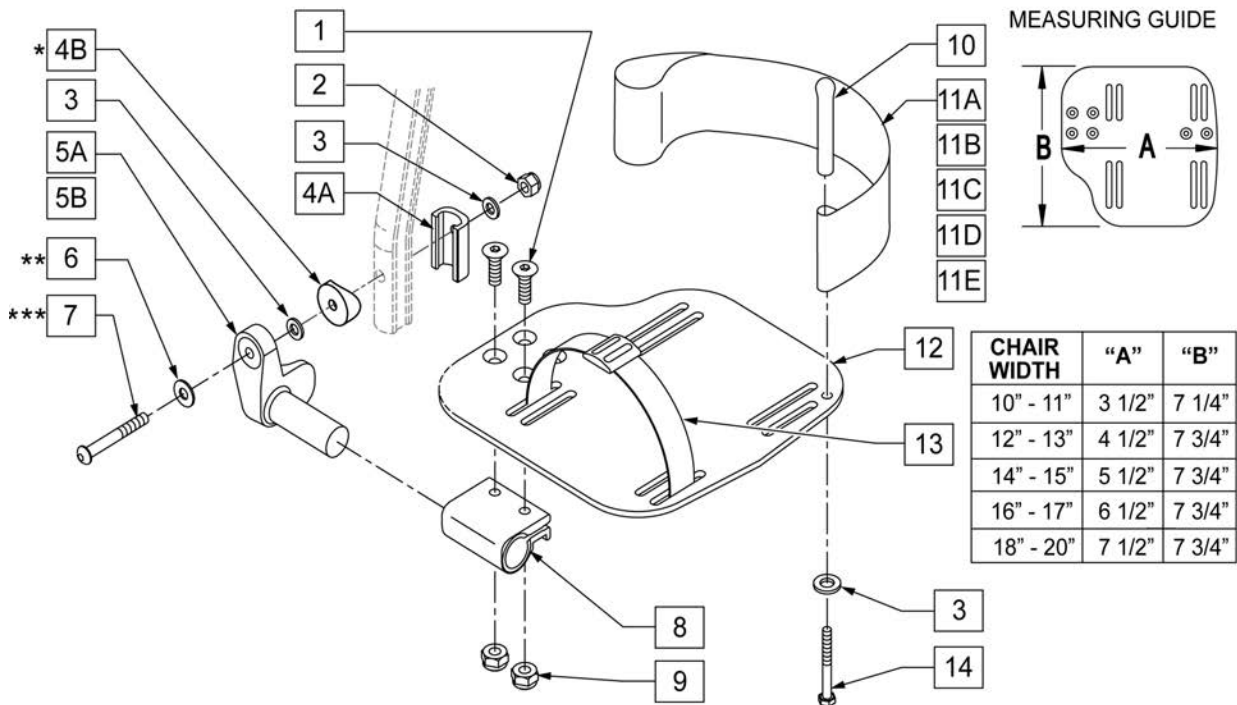
NOTE: FOR HIGH-MOUNT ADULT ANGLE-ADJUSTABLE FOOTPLATE, SEE "HIGH-MOUNT EXTENSION TUBE" PAGE.

NOTE: ORDER ITEM 4B FOR CHAIRS PRIOR TO 8/13/01.

NOTE: ONLY 1 WASHER PRIOR TO 8/13/01.

NOTE: ORDER PART 226167 PRIOR TO 8/13/01.

NOTE: See attached REFERENCE GUIDE.

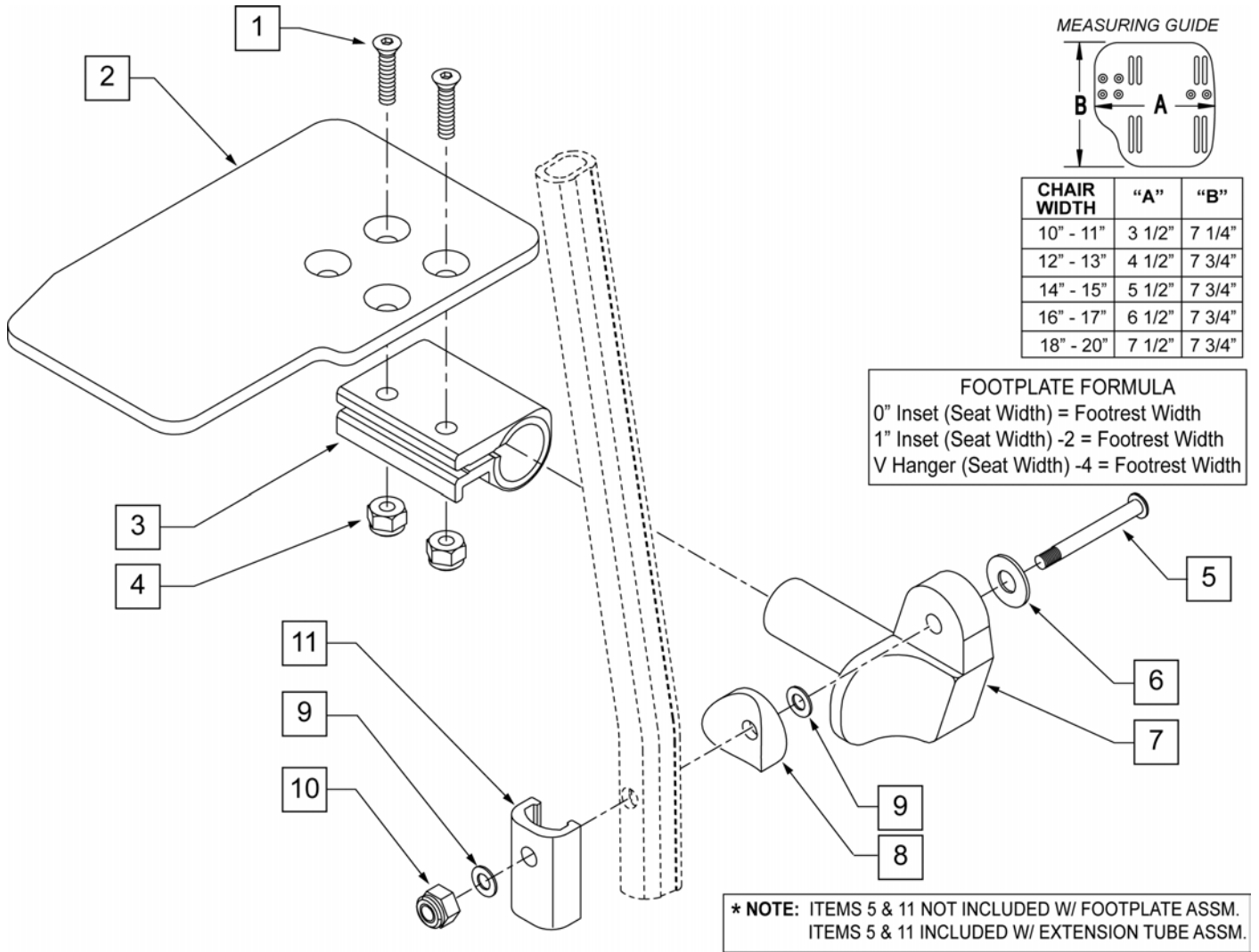


Pos.	Item Number	Description	Remarks
1	106978	1/4-28 x 7/8 FH C/S	
2	106941	1/4-28 AUTOMATION NUT	

Pos.	Item Number	Description	Remarks
3	106943	WASHER FLAT AN 1/4 ROHS	
4A	483720	HANGER EXTENSION SADDLE LONG	USE W/ DOUBLE D EXT TUBE
4B	561055	3/4" SADDLE 1" OD	USE W/ ROUND EXT TUBE
5	541002	FTRST MOUNTING BRKT-3/8 RAD R	RIGHT
5	541003	FTRST MOUNTING BRKT-3/8 RAD L	LEFT
6	106945	WASHER FLAT SAE 1/4 ROHS	
7A	106962	BHCS 1/4-28 X 1-3/4 ROHS	USE W/ DOUBLE D EXT TUBE
7B	226167	1/4-28 x 1.625 BH C/S BLK	USE W/ ROUND EXT TUBE
8	550350	3/4" CLMP ADJ FT PLT	
9	106935	NUT NYLOCK THIN 1/4-28 ROHS	
10	561040	HEEL LOOP PEG	
11A	741154	HEEL LOOP 14-15 CMPST HEMI	USED W/ 10-11" ADULT ANG ADJ FTPLTS
11B	741155	HEEL LOOP 16-17 CMPST HEMI	USED W/ 12 -13" ADULT ANG ADJ FTPLTS
11C	741153	H/L 18-20 CMPST/14-15 ANG ADJ	USED W/ 14-15"/16-17" ADULT ANG ADJ FTPLTS
11D	741253	HEEL LOOP ADLT ADJ F/PLT 18-20	USED W/ 18 -20" ADULT ANG ADJ FTPLTS
12	500656	ADLT ANGL ADJ F/PLT 10/11" R	RIGHT
12	500657	ADLT ANGL ADJ F/PLT 10/11" L	LEFT
12	500658	ADLT ANGL ADJ F/PLT 12/13" R	RIGHT
12	500659	ADLT ANGL ADJ F/PLT 12/13" L	LEFT
12	500660	ADLT ANGL ADJ F/PLT 14/15	RIGHT
12	500661	ADLT ANGL ADJ F/PLT 14/15	LEFT
12	500662	ADLT ANGL ADJ F/PLT 16/17	RIGHT
12	500663	ADLT ANGL ADJ F/PLT 16/17	LEFT
12	500664	ADLT ANGL ADJ F/PLT 18-20	RIGHT
12	500665	ADLT ANGL ADJ F/PLT 18-20	LEFT
13	740260	TOE/ANKLE STRAP ADJ ADLT F/PLT	
14	106958	1/4-20 x 1 HEX C/S	
1-3,5,6,8,9,12	820526	AD ANG ADJ F/PLT R 12"/13" OMIT HL	RIGHT
1-3,5,6,8,9,12	820536	AD ANG ADJ F/PLT L 12"/13" OMT HL	LEFT
1-3,5,6,8,9,12	820460	FP ADLT ADJ 14/15 OMIT HL	RIGHT
1-3,5,6,8,9,12	820462	FP ADLT ADJ 14/15 OMIT HL	LEFT
1-3,5,6,8,9,12	820464	FP ADLT ADJ 16/17 OMIT HL	RIGHT
1-3,5,6,8,9,12	820466	FP ADLT ADJ 16/17 OMIT HL	LEFT
1-3,5,6,8,9,12	820468	FP ADLT ADJ 18-20 OMIT HL	RIGHT
1-3,5,6,8,9,12	820470	FP ADLT ADJ 18-20 OMIT HL	LEFT
1-3,5,6,8,9,12	921466	ADLT ANGL ADJ F/PLT 12"/13" OMIT HL	PAIR
1-3,5,6,8,9,12	921320	FP ADLT ADJ 14/15 OMIT HL	PAIR
1-3,5,6,8,9,12	921322	FP ADLT ADJ 16/17 OMIT HL	PAIR
1-3,5,6,8,9,12	921324	FP ADLT ADJ 18-20 OMIT HL	PAIR
1-3,5,6,8,9,12	820522	AD ANGL ADJ F/PLT R 12/13" H/L	RIGHT
1-3,5,6,8,9,12	820532	AD ANGL ADJ F/PLT L 12/13" H/L	LEFT
1-3,5,6,8-10,11C, 12,14	820461	FP ADLT ADJ 14/15 HL	RIGHT
1-3,5,6,8-10,11C, 12,14	820463	FP ADLT ADJ 14/15 HL	LEFT
1-3,5,6,8-10,11C, 12,14	820465	FP ADLT ADJ 16/17 HL	RIGHT
1-3,5,6,8-10,11C, 12,14	820467	FP ADLT ADJ 16/17 HL	LEFT
1-3,5,6,8-10,11D, 12,14	820469	FP ADLT ADJ 18-20 HL	RIGHT
1-3,5,6,8-10,11D, 12,14	820471	FP ADLT ADJ 18-20 HL	LEFT
1-3,5,6,8-10,11B, 12,14	921462	ADLT ANGL ADJ F/PLATE 12"/13" HL	PAIR
1-3,5,6,8-10,11C, 12,14	921321	FP ADLT ADJ 14/15 HL	PAIR
1-3,5,6,8-10,11C, 12,14	921323	FP ADLT ADJ 16/17 HL	PAIR
1-3,5,6,8-10,11D, 12,14	921325	FP ADLT ADJ 18-20 HL	PAIR
1-3,6,7A,9-10,14	101533	ADLT ANG ADJ FP D2 HDWR KIT	FOR DOUBLE D EXT TUBES
1-3B,4B,6,7B,9,10,14	101534	ADLT ANG ADJ FP RND HDWR KIT	FOR ROUND EXT TUBES (Q2 HP ONLY)

KIDS ANGLE ADJUSTABLE FOOTPLATE EXT MOUNT

[10/2011]



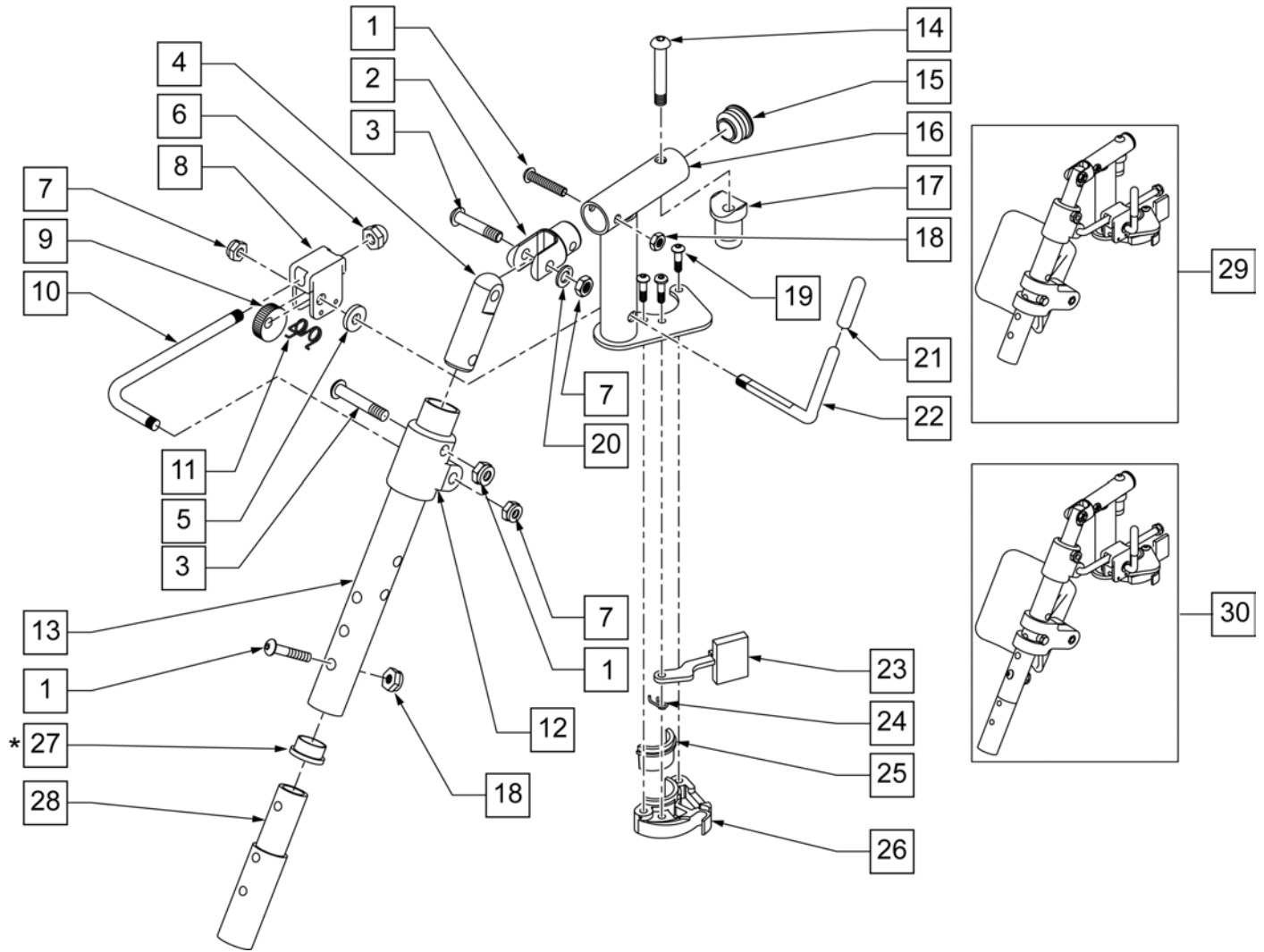
Pos.	Item Number	Description	Remarks
1	106978	FHCS 1/4 -28 x 7/8 ROHS	
2	500635	KIDS ANGL ADJ F/PLT 10" R	Right
2	500636	KIDS ANGL ADJ F/PLT 10" L	Left
2	500637	KIDS ANGL ADJ F/PLT 11" R	Right
2	500638	KIDS ANGL ADJ F/PLT 11" L	Left
2	500639	KIDS ANGL ADJ F/PLT 12" R	Right
2	500640	KIDS ANGL ADJ F/PLT 12" L	Left
2	500641	KIDS ANGL ADJ F/PLT 13" R	Right
2	500642	KIDS ANGL ADJ F/PLT 13" L	Left
2	500643	KIDS ANGL ADJ F/PLT 14" R	Right
2	500644	KIDS ANGL ADJ F/PLT 14" L	Left
2	500645	KIDS ANGL ADJ F/PLT 15" R	Right
2	500646	KIDS ANGL ADJ F/PLT 15" L	Left
2	500647	KIDS ANGL ADJ F/PLT 16" R	Right
2	500648	KIDS ANGL ADJ F/PLT 16" L	Left
3	550350	3/4" CLAMP ADJ FOOTPLATE	
4	106935	NUT NYLOCK THIN 1/4 -28 ROHS	
5	106962	1/4-28 x 1 3/4 BH C/S BLK ZN (D2 EXTENSION TUBES)	

Pos.	Item Number	Description	Remarks
5	226167	1/4-28 x 1.625 BH C/S BLK (ROUND EXTENSION TUBES)	
6	106945	1/4 SAE WASHER	
7	541002	FTRST MOUNTING BRKT-3/8 RAD R	
7	541003	FTRST MOUNTING BRKT-3/8 RAD L	
8	561055	3/4" SADDLE 1" OD	
9	106944	WASHER FLAT THIN AN 1/4 ROHS	
10	106941	NUT AUTOMATION 1/4 -28 ROHS	
1-7,9,10	828850	KIDS ANG ADJ F/PLT EXT-MNT 10"R	Right
1-7,9,10	828851	KIDS ANG ADJ F/PLT EXT-MNT 10"L	Left
1-7,9,10	828852	KIDS ANG ADJ F/PLT EXT-MNT 11"R	Right
1-7,9,10	828853	KIDS ANG ADJ F/PLT EXT-MNT 11"L	Left
1-7,9,10	828854	KIDS ANG ADJ F/PLT EXT-MNT 12"R	Right
1-7,9,10	828855	KIDS ANG ADJ F/PLT EXT-MNT 12"L	Left
1-7,9,10	828856	KIDS ANG ADJ F/PLT EXT-MNT 13"R	Right
1-7,9,10	828857	KIDS ANG ADJ F/PLT EXT-MNT 13"L	Left
1-7,9,10	828858	KIDS ANG ADJ F/PLT EXT-MNT 14"R	Right
1-7,9,10	828859	KIDS ANG ADJ F/PLT EXT-MNT 14"L	Left
1-7,9,10	828860	KIDS ANG ADJ F/PLT EXT-MNT 15"R	Right
1-7,9,10	828861	KIDS ANG ADJ F/PLT EXT-MNT 15"L	Left
1-7,9,10	828862	KIDS ANG ADJ F/PLT EXT-MNT 16"R	Right
1-7,9,10	828863	KIDS ANG ADJ F/PLT EXT-MNT 16"L	Left
1-7,9,10	921280	KIDS ANG ADJ F/PLT EXT-MNT 10"	Pair
1-7,9,10	921281	KIDS ANG ADJ F/PLT EXT-MNT 11"	Pair
1-7,9,10	921282	KIDS ANG ADJ F/PLT EXT-MNT 12"	Pair
1-7,9,10	921283	KIDS ANG ADJ F/PLT EXT-MNT 13"	Pair
1-7,9,10	921284	KIDS ANG ADJ F/PLT EXT-MNT 14"	Pair
1-7,9,10	921285	KIDS ANG ADJ F/PLT EXT-MNT 15"	Pair
1-7,9,10	921286	KIDS ANG ADJ F/PLT EXT-MNT 16"	Pair

90 DEG ELEVATING HANGER

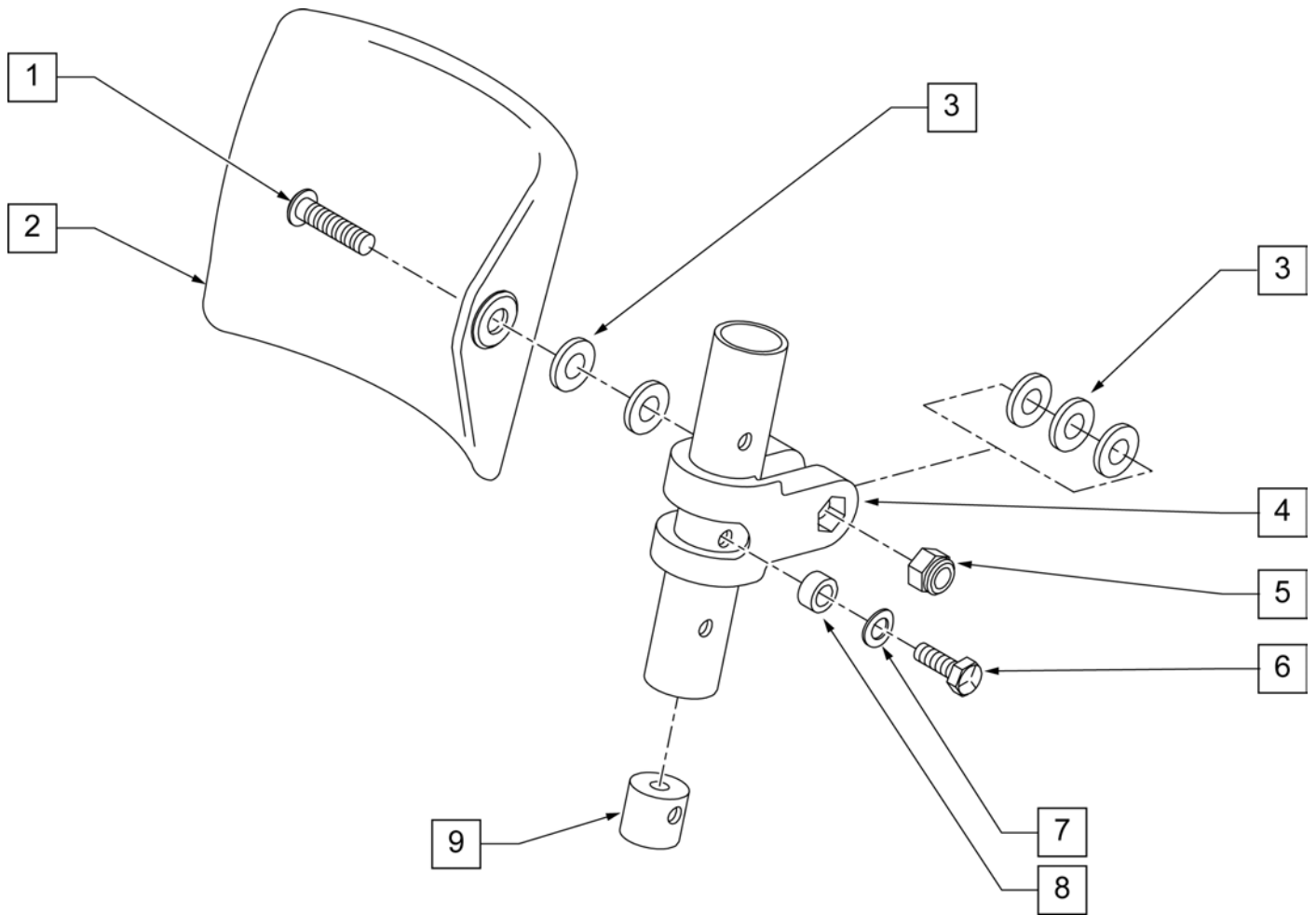
[11/2009]

NOTE: Order Item 27 (561002) when NOT using Footrest Extension.

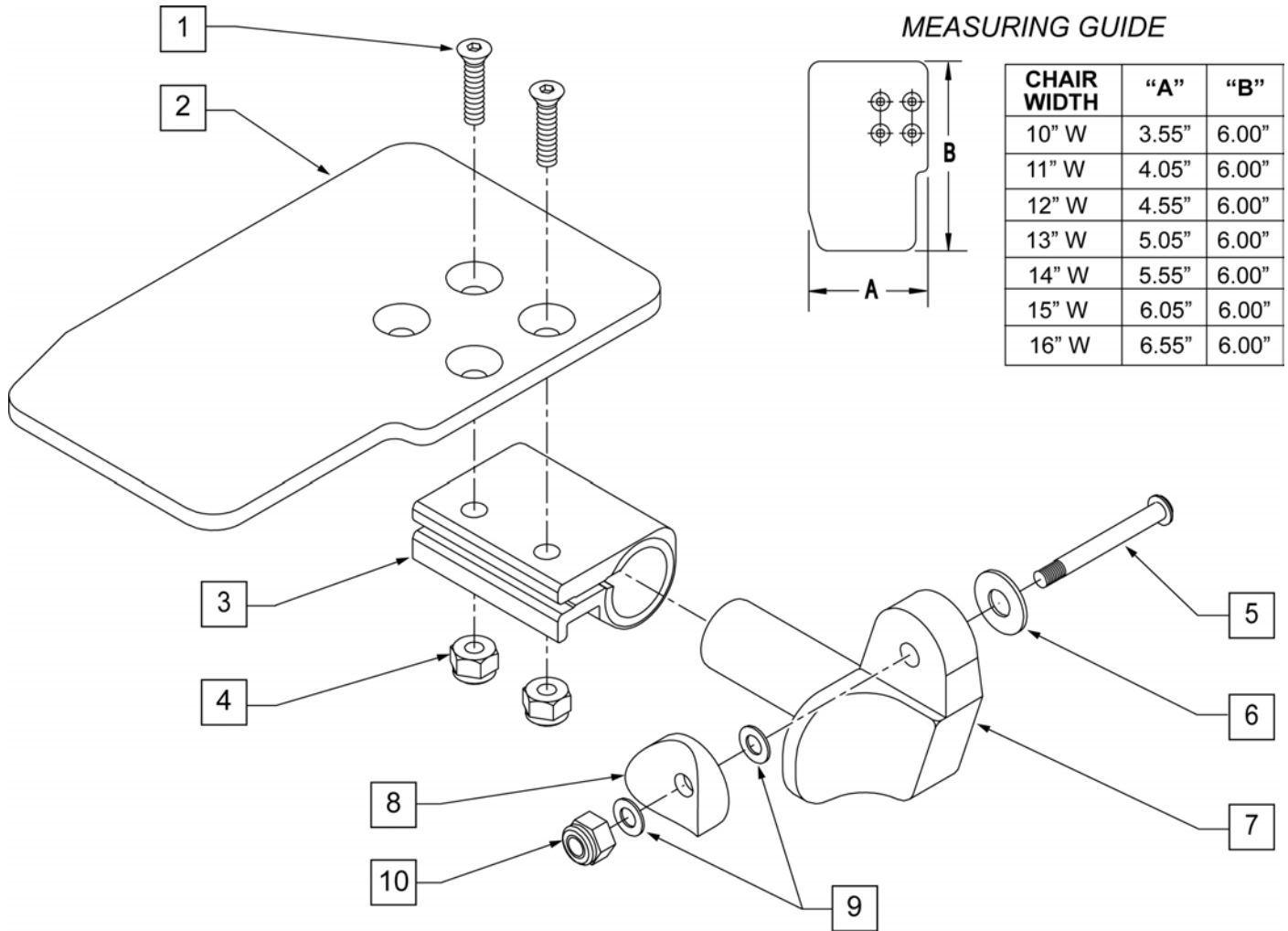


Pos.	Item Number	Description	Remarks
1	107027	BHCS 1/4-28 X 1-1/4 SHLDR ROHS	
2	505281	ELR CLEVIS	
3	107037	BHCS 5/16-24 X 1-1/2 SHLD ROHS	
4	540252	ELR PIVOT PRS	
5	561059	3/4 OD x .318 ID WASHER	
6	202109	5/16-24 ACORN NUT HEX	
7	106939	NUT NYLOCK THIN 5/16-24 ROHS	
8	880990	ELR LOCK HOUSING W/PIN	
9	481119	ELR CAM LOCKING POWDERED METAL	
10	481505	ELR LOCK ROD 90D	
11	321106	ELR TORSION SPRING	
12	560430	ELR ROD UPPER PIVOT	
13	505097S	ELR KIDS TUBE	SPECIFY COLOR
14	106983	BHCS 5/16-18 X 2 SHLDR ROHS	

Pos.	Item Number	Description	Remarks
15	561062	1" INSERT PLUG .065 RIBS	
17	561197	PLASTIC PIVOT SADDLE	
18	106935	NUT NYLOCK THIN 1/4-28 ROHS	
19	107035	BHCS 10-24 X .725 PL ROHS	
20	263100	5/16 AN WASHER FLAT	
21	561049	ELR RELEASE ROD COVER	
23	561079	S/A LATCH LEVER	
24	321136	S/A SPRING L RED	
24	321137	S/A SPRING R CLEAR	
27	561002	1" INSERT PLUG .083	
29	923067S	ELR HNGR ASSM 90D W/PAD	PAIR
30	923068S	ELR HNGR ASSM 90D W/PAD 2" EXT	PAIR
1,18,28	111505	2" FTREST EXT W/ HDWR	
25,26	881500	LATCH BLOCK ASSM R	RIGHT
25,26	881501	LATCH BLOCK ASSM L	LEFT
21,22	882411	ELR 90D ACTUATION ARM ASSM	
1-4,7,14-20,23-28	882413	ELR PIVOT BLOCK ASSM R	RIGHT
1-4,7,14-20,23-28	882414	ELR PIVOT BLOCK ASSM L	LEFT
1-26	641458S	ELR HNGR 90D W/O PAD PNTD R	RIGHT
1-26	641459S	ELR HNGR 90D W/O PAD PNTD L	LEFT
1-26,28	641468S	HANGER ELR 90 W/O PAD R 2" EXT	RIGHT
1-26,28	641469S	HANGER ELR 90 W/O PAD L 2" EXT	LEFT
19,23-26	881521	S/A LATCH KIT CASTING RIGHT	RIGHT
19,23-26	881522	S/A LATCH KIT CASTING LEFT	LEFT



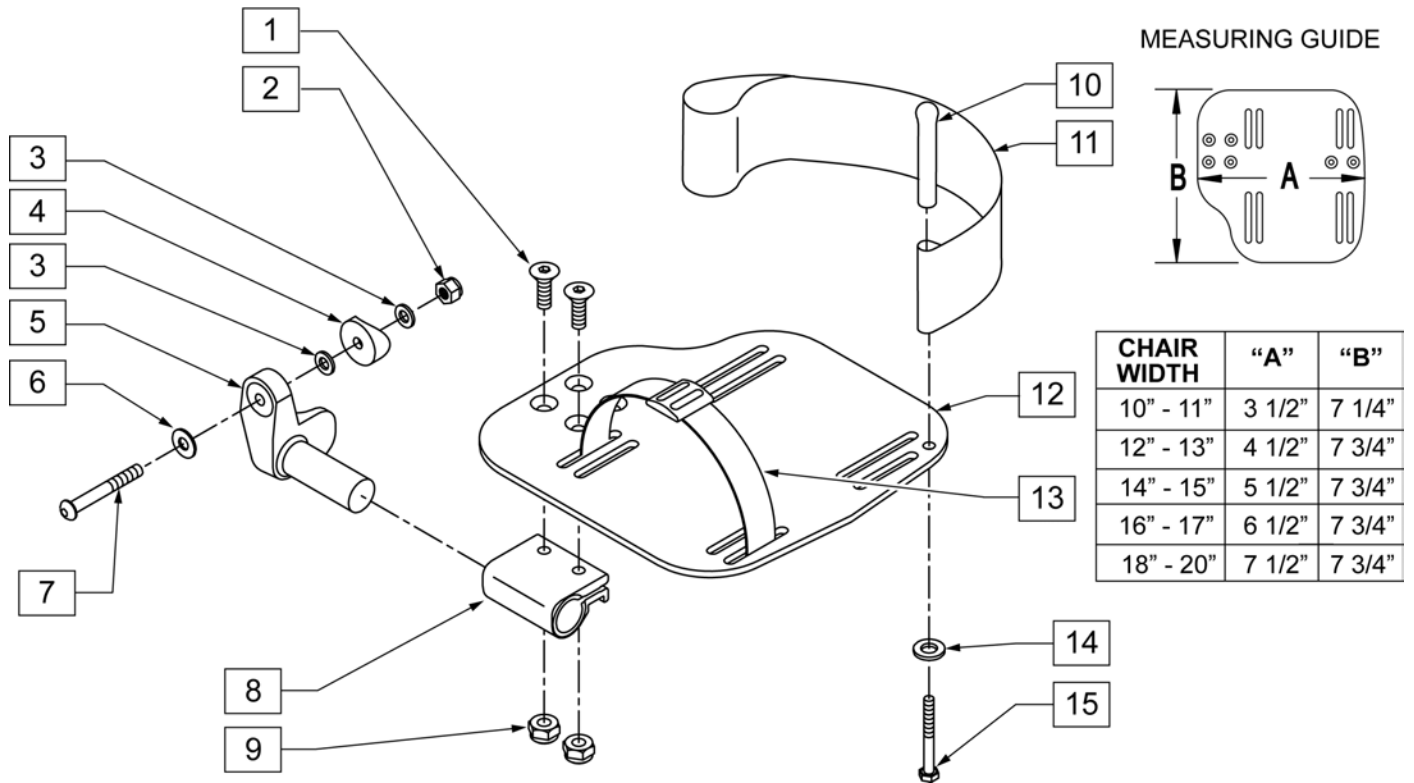
Pos.	Item Number	Description
1	226196	5/16-18 x 2 BH C/S ZN
2	755013	CALF PAD THROUGH STYLE KIDS
3	561016	1" WASHER 5/16" HOLE
4	561097	ELR ELEVATING TUBE CLAMP
5	106937	5/16 -18 NYLOCK NUT THIN
6	107017	1/4-20 x 1 1/4 G8 HEX C/S
7	262130	6mm WASHER WAVE
8	483027	1/4 x 1/4 ALUMINUM SPACER
9	500151	KIDS ALR RETAINING PLUG
1-9	880533	ELR TROUGH PAD ASSM KIDS



Pos.	Item Number	Description	Remarks	Pos.	Item Number	Description	Remarks
1	106978	FHCS 1/4-28 X 7/8 ROHS		7	541001	FTRST MOUNTING BRKT 1 RAD	LEFT
2	500635	KIDS ANGL ADJ F/PLT 10	RIGHT	8	561004	1 SADDLE 1/4 HOLE	
2	500636	KIDS ANGL ADJ F/PLT 10	LEFT	9	106943	WASHER FLAT THIN AN 1/4	
2	500637	KIDS ANGL ADJ F/PLT 11	RIGHT	10	106941	NUT AUTOMATION 1/4-28 ROHS	
2	500638	KIDS ANGL ADJ F/PLT 11	LEFT	1-10	828821	KIDS ANG ADJ F/PLT ASSM 10	RIGHT
2	500639	KIDS ANGL ADJ F/PLT 12	RIGHT	1-10	828822	KIDS ANG ADJ F/PLT ASSM 10	LEFT
2	500640	KIDS ANGL ADJ F/PLT 12	LEFT	1-10	828823	KIDS ANG ADJ F/PLT ASSM 11	RIGHT
2	500641	KIDS ANGL ADJ F/PLT 13	RIGHT	1-10	828824	KIDS ANG ADJ F/PLT ASSM 11	LEFT
2	500642	KIDS ANGL ADJ F/PLT 13	LEFT	1-10	828825	KIDS ANG ADJ F/PLT ASSM 12	RIGHT
2	500643	KIDS ANGL ADJ F/PLT 14	RIGHT	1-10	828826	KIDS ANG ADJ F/PLT ASSM 12	LEFT
2	500644	KIDS ANGL ADJ F/PLT 14	LEFT	1-10	828827	KIDS ANG ADJ F/PLT ASSM 13	RIGHT
2	500645	KIDS ANGL ADJ F/PLT 15	RIGHT	1-10	828828	KIDS ANG ADJ F/PLT ASSM 13	LEFT
2	500646	KIDS ANGL ADJ F/PLT 15	LEFT	1-10	828829	KIDS ANG ADJ F/PLT ASSM 14	RIGHT
2	500647	KIDS ANGL ADJ F/PLT 16	RIGHT	1-10	828830	KIDS ANG ADJ F/PLT ASSM 14	LEFT
2	500648	KIDS ANGL ADJ F/PLT 16	LEFT	1-10	828831	KIDS ANG ADJ F/PLT ASSM 15	RIGHT
3	550350	3/4 CLAMP ADJ FOOTPLATE		1-10	828832	KIDS ANG ADJ F/PLT ASSM 15	LEFT
4	106935	NUT NYLOCK THIN 1/4-28 ROHS		1-10	828833	KIDS ANG ADJ F/PLT ASSM 16	RIGHT
5	226147	1/4-28 X 1.85 BH C/S BLK ZN		1-10	828834	KIDS ANG ADJ F/PLT ASSM 16	LEFT
6	106945	WASHER FLAT SAE 1/4 ROHS		1-10	921226	KIDS ANG ADJ F/PLT ASSM 10	PAIR
7	541000	FTRST MOUNTING BRKT 1 RAD	RIGHT	1-10	921227	KIDS ANG ADJ F/PLT ASSM 11	PAIR

Pos.	Item Number	Description	Remarks	Pos.	Item Number	Description	Remarks
1-10	921228	KIDS ANG ADJ F/PLT ASSM 12	PAIR	1-10	921231	KIDS ANG ADJ F/PLT ASSM 15	PAIR
1-10	921229	KIDS ANG ADJ F/PLT ASSM 13	PAIR	1-10	921232	KIDS ANG ADJ F/PLT ASSM 16	PAIR
1-10	921230	KIDS ANG ADJ F/PLT ASSM 14	PAIR				

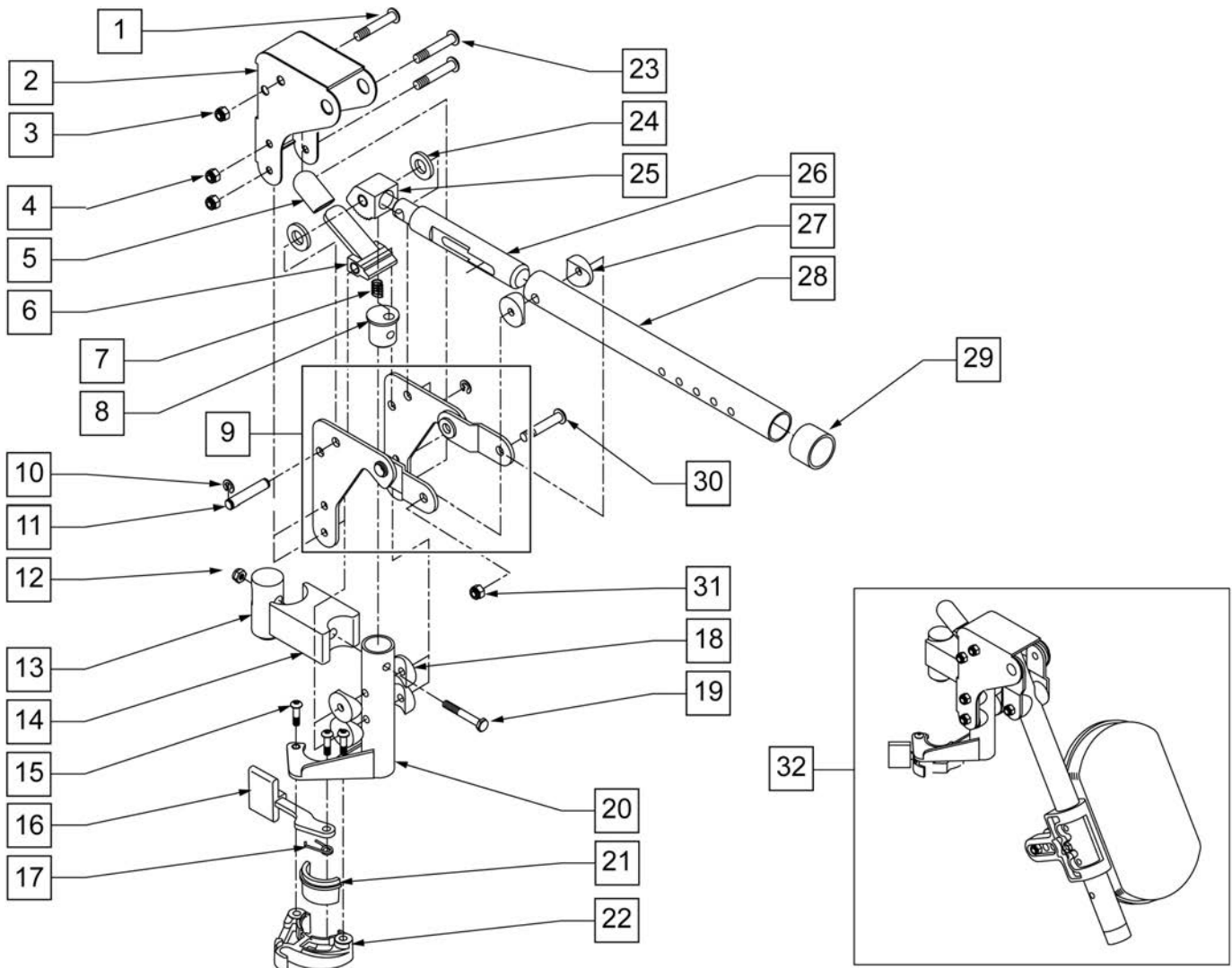
ADULT ANGLE-ADJ FOOTPLATE FRONT MOUNT



Pos.	Item Number	Description	Remarks
1	106978	FHCS 1/4-28 X 7/8 ROHS	
2	106941	NUT AUTOMATION 1/4-28 ROHS	
3	106943	WASHER FLAT AN 1/4 ROHS	
4	561004	1" SADDLE 1/4" HOLE	
5	541000	FOOTREST MOUNTING BRKT-1" RAD	RIGHT
5	541001	FOOTREST MOUNTING BRKT-1" RAD	LEFT
6	106945	WASHER FLAT SAE 1/4 ROHS	
7	106964	BHCS 1/4-28 X 2	
8	550350	3/4" CLAMP ADJ FOOTPLATE	
9	106935	NUT NYLOCK THIN 1/4-28 ROHS	
10	561040	HEEL LOOP PEG	
11	741153	HEEL LOOP 18-20 CMPST/14-15 ANG ADJ	USED W/ 14-15"/16-17" ADULT ANG ADJ FTPLTS
11	741253	HEEL LOOP ADLT ADJ F/PLT 18-20	USED W/ 18 -20" ADULT ANG ADJ FTPLTS
12	500656	ADULT ANGL ADJ F/PLT 10/11	RIGHT
12	500657	ADULT ANGL ADJ F/PLT 10/11	LEFT
12	500658	ADULT ANGL ADJ F/PLT 12/13	RIGHT
12	500659	ADULT ANGL ADJ F/PLT 12/13	LEFT
12	500660	ADULT ANGL ADJ F/PLT 14/15	RIGHT
12	500661	ADULT ANGL ADJ F/PLT 14/15	LEFT
12	500662	ADULT ANGL ADJ F/PLT 16/17	RIGHT
12	500663	ADULT ANGL ADJ F/PLT 16/17	LEFT
12	500664	ADULT ANGL ADJ F/PLT 18-20	RIGHT
12	500665	ADULT ANGL ADJ F/PLT 18-20	LEFT
13	740260	TOE-ANKLE STRAP ADJ ADULT FOOTPLATE	
14	106943	WASHER FLAT AN 1/4 ROHS	

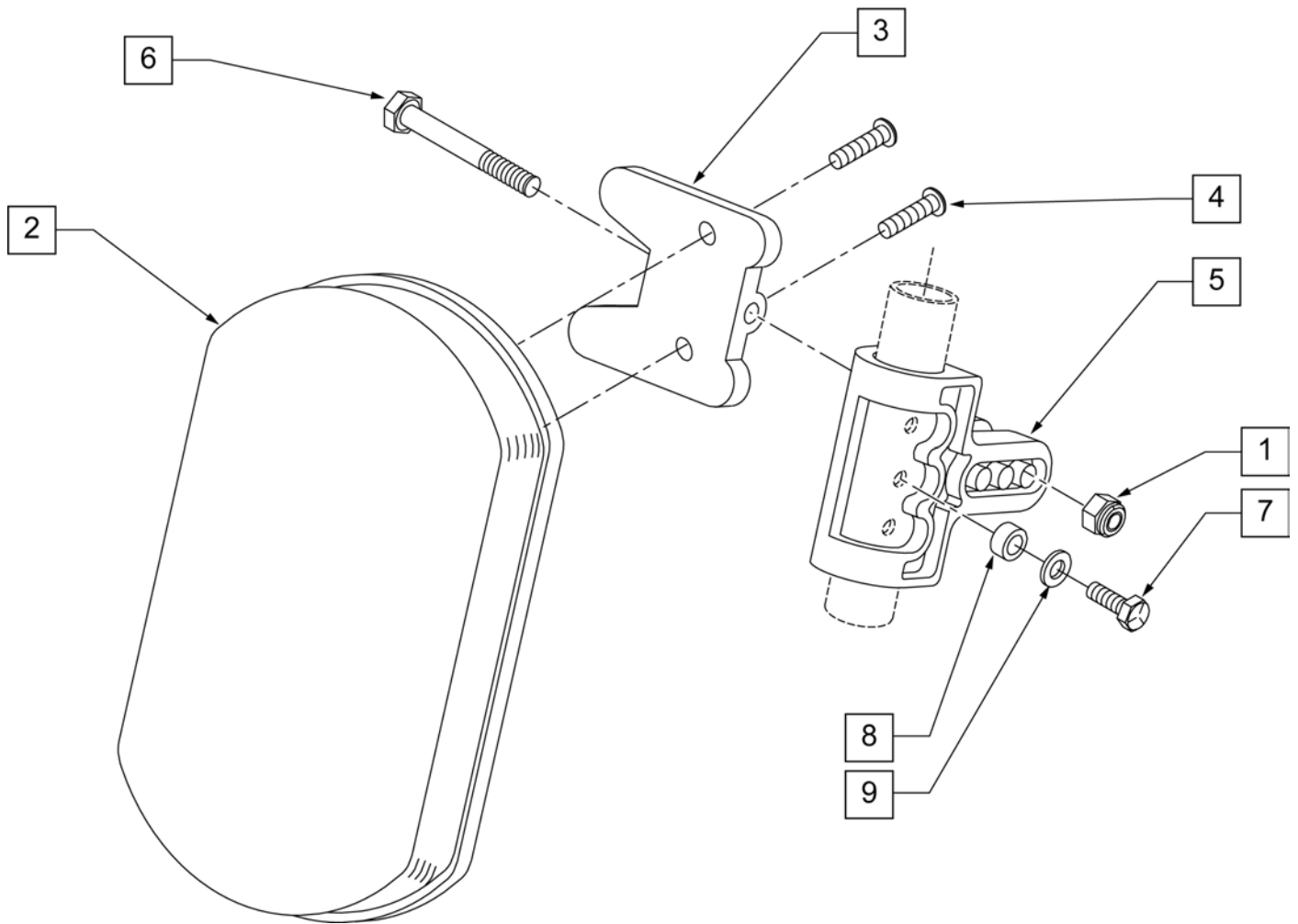
Pos.	Item Number	Description	Remarks
15	106958	HHCS 1/4-20 X 1 ROHS	
1-9,12	820544	FP ADULT ADJ 90D 10/11 R	RIGHT
1-9,12	820554	FP ADULT ADJ 90D 10/11 L	LEFT
1-9,12	820546	FP ADULT ADJ 90D 12/13 R	RIGHT
1-9,12	820556	FP ADULT ADJ 90D 12/13 L	LEFT
1-9,12	820472	FP ADULT ADJ 90D 14/15 R	RIGHT
1-9,12	820473	FP ADULT ADJ 90D 14/15 L	LEFT
1-9,12	820474	FP ADULT ADJ 90D 16/17 R	RIGHT
1-9,12	820475	FP ADULT ADJ 90D 16/17 L	LEFT
1-9,12	820476	FP ADULT ADJ 90D 18-20 R	RIGHT
1-9,12	820477	FP ADULT ADJ 90D 18-20 L	LEFT
1-9,12	921474	ADULT ANGL ADJ 90D 10/11 OMIT H/L	PAIR
1-9,12	921476	ADULT ANGL ADJ 90D 12/13 OMIT H/L	PAIR
1-9,12	921330	ADULT ANGL ADJ 90D 14/15 OMIT H/L	PAIR
1-9,12	921331	ADULT ANGL ADJ 90D 16/17 OMIT H/L	PAIR
1-9,12	921332	ADULT ANGL ADJ 90D 18-20 OMIT H/L	PAIR
1-12,14,15	820540	F/PLT ADULT ADJ 90D 10/11 R W/ HL	RIGHT
1-12,14,15	820550	F/PLT ADULT ADJ 90D 10/11 L W/ HL	LEFT
1-12,14,15	820542	F/PLT ADULT ADJ 90D 12/13 R W/ HL	RIGHT
1-12,14,15	820552	F/PLT ADULT ADJ 90D 12/13 L W/ HL	LEFT
1-12,14,15	820478	F/PLT ADULT ADJ 90D 14/15 R W/ HL	RIGHT
1-12,14,15	820479	F/PLT ADULT ADJ 90D 14/15 L W/ HL	LEFT
1-12,14,15	820480	F/PLT ADULT ADJ 90D 16/17 R W/ HL	RIGHT
1-12,14,15	820481	F/PLT ADULT ADJ 90D 16/17 L W/ HL	LEFT
1-12,14,15	820482	F/PLT ADULT ADJ 90D 18-20 R W/ HL	RIGHT
1-12,14,15	820483	F/PLT ADULT ADJ 90D 18-20 L W/ HL	LEFT
1-12,14,15	921470	F/PLT ADULT ADJ 90D 10/11 W/ HL	PAIR
1-12,14,15	921472	F/PLT ADULT ADJ 90D 12/13 W/ HL	PAIR
1-12,14,15	921333	F/PLT ADULT ADJ 90D 14/15 W/ HL	PAIR
1-12,14,15	921334	F/PLT ADULT ADJ 90D 16/17 W/ HL	PAIR
1-12,14,15	921335	F/PLT ADULT ADJ 90D 18-20 W/ HL	PAIR

NOTE: WHEN USING AN ARTICULATING LEGREST ASSEMBLY, THE PULL-TO-LOCK WHEEL LOCK MUST BE USED.



Pos.	Item Number	Description	Remarks
1	106983	5/16-18 x 2 BH C/S SHT THREAD	
2	562720	ALR COVER STD	
3	106937	5/16-18 NYLOCK NUT THIN	
4	106935	1/4-28 NYLOCK NUT THIN	
5	560501	ALR RELEASE LEVER COVER	
6	505902	ALR RELEASE LEVER	
7	321141	650L x 6 COIL SPRING	
8	483060	ALR SPRING PLUG	
9	880526	ALR BRACKET W/LINK R	RIGHT
9	880527	ALR BRACKET W/LINK L	LEFT
10	342000	1/4" E-CLIP	
11	481052	ALR RETAINING STUD	
12	106934	1/4-28 NYLOCK NUT	
13	122991	ALR PIVOT SADDLE WITH LEDGE	

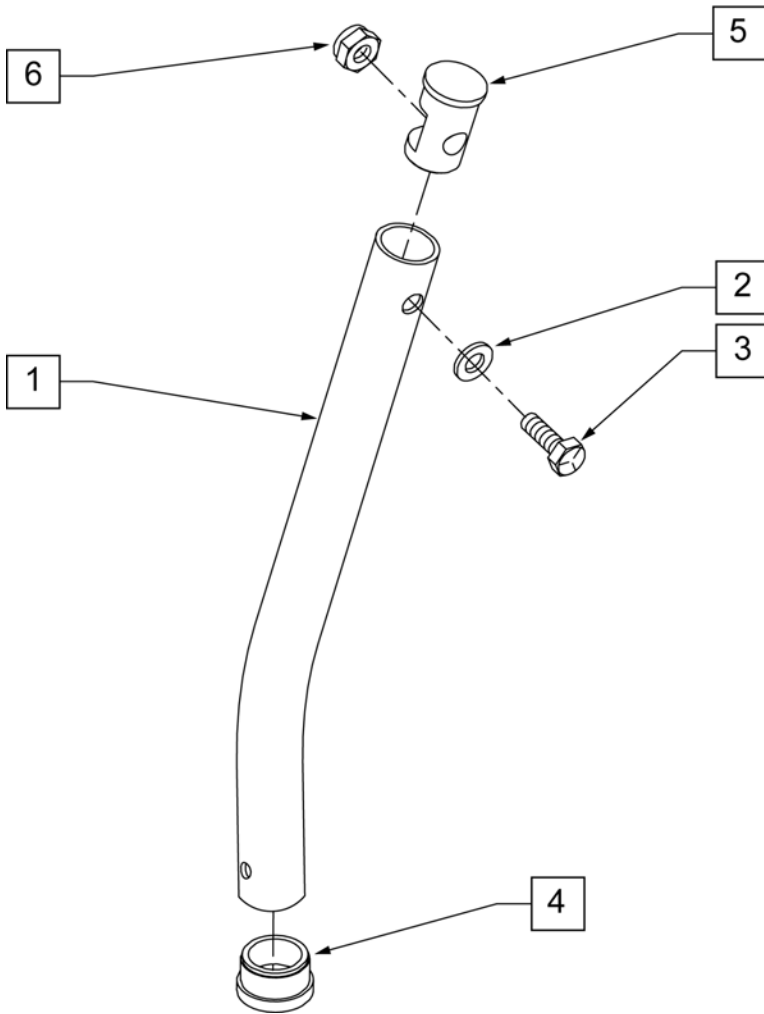
Pos.	Item Number	Description	Remarks
14	122992	ALR PIVOT SADDLE BLOCK W/NOTCH	
15	226057	10/24 x .725 BTTN HD SOC BZ	
16	561079	S/A LATCH LEVER	
17	321136	S/A SPRING L RED	
17	321137	S/A SPRING R CLEAR	
18	561004	1" SADDLE 1/4" HOLE	
19	107016	1/4-28 x 3 G8 HEX C/S	
20	882466	ALR S/A TUBE ASSM L	LEFT
20	882467	ALR S/A TUBE ASSM R	RIGHT
23	106964	1/4-28 x 2 BH C/S	
24	561016	1" WASHER 5/16" HOLE	
25	505900	ALR RATCHET BLOCK	
26	483062	ALR RATCHET ROD	
27	561006	1" SADDLE 5/16" HOLE	
28	505026S	ALR TUBE ONLY	
29	561082	1" TUBE END BUSHING THIN	
30	226195	5/16-18 x 1.82 BH C/S	
31	106937	NUT NYLOCK THIN 5/16-18 ROHS	
21,22	881500	LATCH BLOCK ASSM R	RIGHT
21,22	881501	LATCH BLOCK ASSM L	LEFT
1-26	880092	HANGER ALR SUB ASSM R	RIGHT
1-26	880093	HANGER ALR SUB ASSM L	LEFT
1-31	641464S	HANGER ALR W/O PAD PNTD R	RIGHT
1-31	641465S	HANGER ALR W/O PAD PNTD L	LEFT
32	923051S	ALR HANGER ASSM W/PAD ALUM LB	PAIR
15-17,21,22	881521	S/A LATCH KIT CASTING RIGHT	
15-17,21,22	881522	S/A LATCH KIT CASTING LEFT	



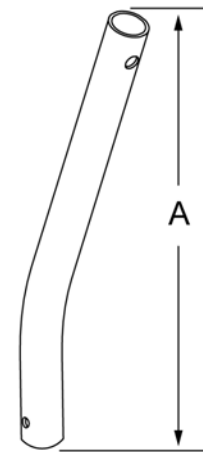
Pos.	Item Number	Description
1	106936	5/16-18 NYLOCK NUT THICK
2	755010	ALR/ELR PAD
3	561096	ALR/ELR CALF PAD BRACKET
4	281182	1/4-20 x 5/8 PAN PHIL
5	561099	CALF CLAMP ALR
6	107019	HHCS 5/16-18 X 3-1/2 ROHS
7	107017	1/4-20 x 1 1/4 G8 HEX C/S
8	483027	1/4 x 1/4 ALUMINUM SPACER BLK
9	104414	WAVE WASHER 6 MM
1-6	881399	ALR CALF PAD W/BRACKET
1,3-9	881398	ALR CALF CLAMP ASSM W/O PAD
1-9	881400	ALR CALF PAD ASSEMBLY (EA)

NOTE: (Discontinued on Quickie 2 for 60° and 70° Hangers 10/23/99- Parts only).

NOTE: Used on Articulating Hanger Assemblies.



MEASURING GUIDE



	"A"
SHORT	6 5/8"
MED	9"
LONG	11 5/8"
X-LONG	13 1/2"

Pos.	Item Number	Description
1	521010	FOOTREST EXT TUBE ONLY SHT BLK
1	521011	FOOTREST EXT TUBE ONLY MED BLK
1	521012	FOOTREST EXT TUBE ONLY LNG BLK
1	521013	FOOTREST EXT TUBE ONLY X-LNG BLK
2	104414	WAVE WASHER 6 MM
3	106958	HHCS 1/4-20 X 1 ROHS
4	561000-QU	3/4" INSERT PLUG .083
5	483553	FOOTREST INSERT PLUG Q2
6	106932	NUT NYLOCK 1/4-20 ROHS
1-6	921221	FOOTREST EXT TUBE SHT ASSM BLK (EA)
1-6	921222	FOOTREST EXT TUBE MED ASSM BLK (EA)
1-6	921223	FOOTREST EXT TUBE LNG ASSM BLK (EA)
1-6	921224	FOOTREST EXT TUBE X-LNG ASSM BLK (EA)

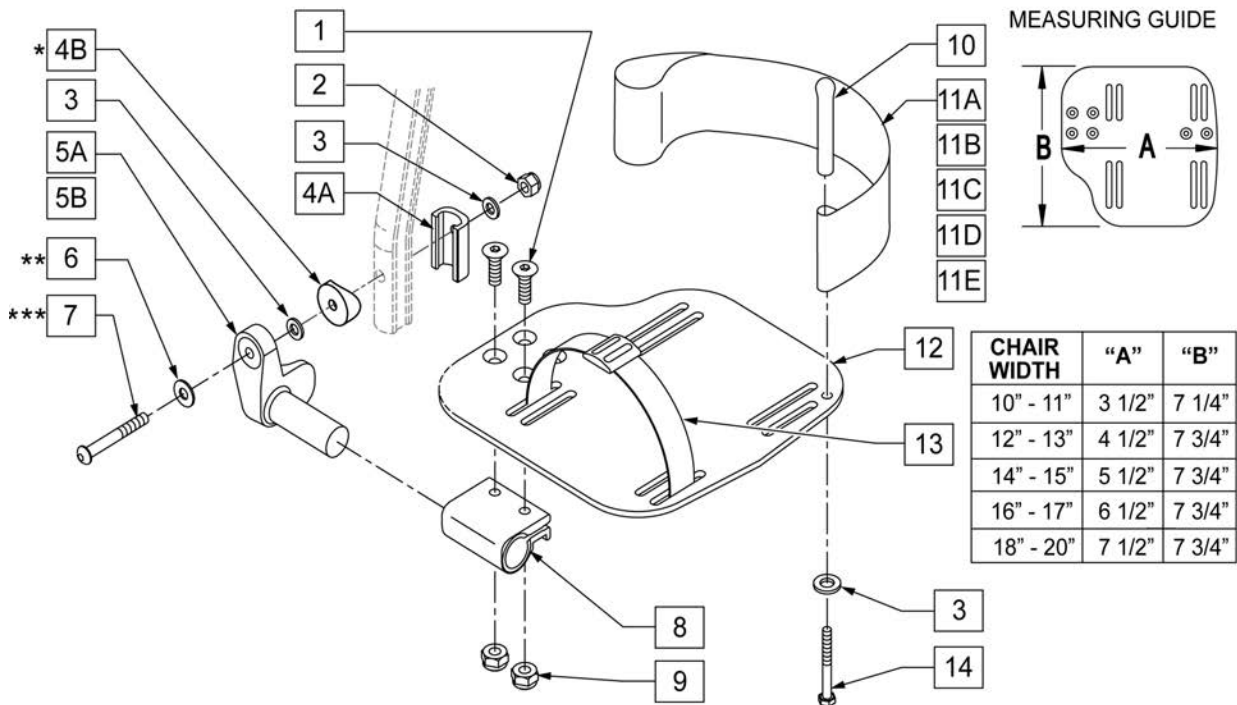
NOTE: FOR HIGH-MOUNT ADULT ANGLE-ADJUSTABLE FOOTPLATE, SEE "HIGH-MOUNT EXTENSION TUBE" PAGE.

NOTE: ORDER ITEM 4B FOR CHAIRS PRIOR TO 8/13/01.

NOTE: ONLY 1 WASHER PRIOR TO 8/13/01.

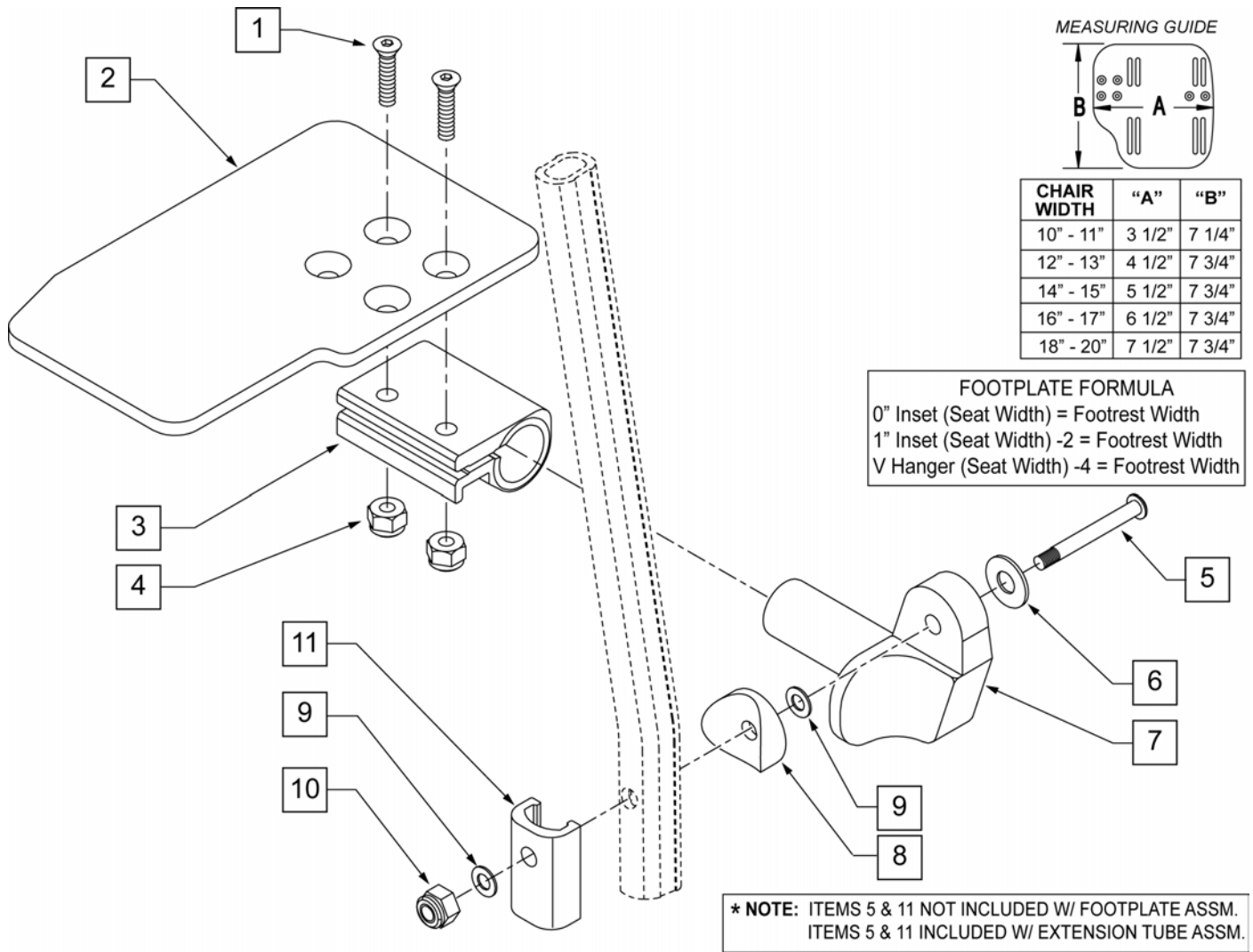
NOTE: ORDER PART 226167 PRIOR TO 8/13/01.

NOTE: See attached REFERENCE GUIDE.



Pos.	Item Number	Description	Remarks
1	106978	1/4-28 x 7/8 FH C/S	
2	106941	1/4-28 AUTOMATION NUT	

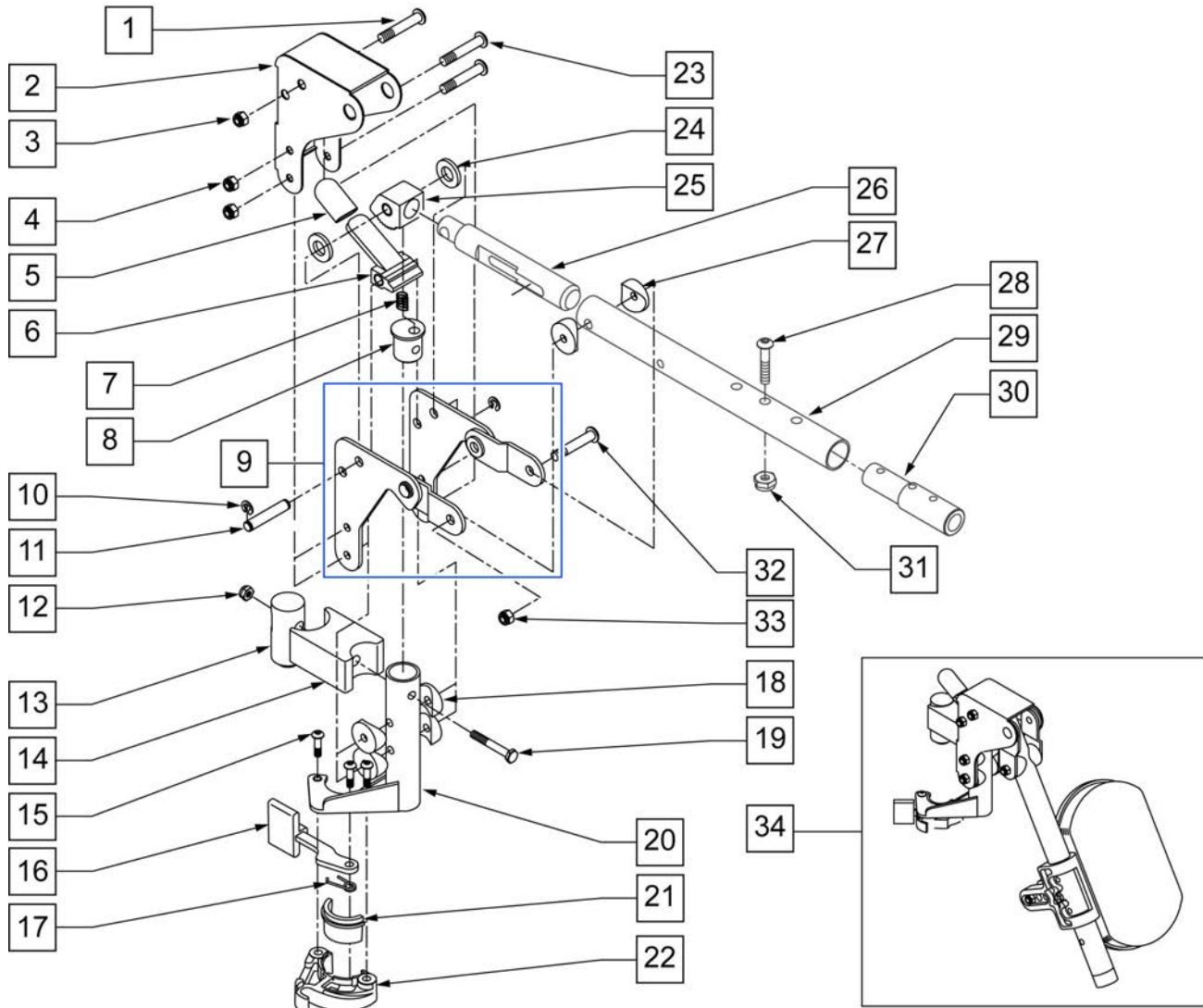
Pos.	Item Number	Description	Remarks
3	106943	WASHER FLAT AN 1/4 ROHS	
4A	483720	HANGER EXTENSION SADDLE LONG	USE W/ DOUBLE D EXT TUBE
4B	561055	3/4" SADDLE 1" OD	USE W/ ROUND EXT TUBE
5	541002	FTRST MOUNTING BRKT-3/8 RAD R	RIGHT
5	541003	FTRST MOUNTING BRKT-3/8 RAD L	LEFT
6	106945	WASHER FLAT SAE 1/4 ROHS	
7A	106962	BHCS 1/4-28 X 1-3/4 ROHS	USE W/ DOUBLE D EXT TUBE
7B	226167	1/4-28 x 1.625 BH C/S BLK	USE W/ ROUND EXT TUBE
8	550350	3/4" CLMP ADJ FT PLT	
9	106935	NUT NYLOCK THIN 1/4-28 ROHS	
10	561040	HEEL LOOP PEG	
11A	741154	HEEL LOOP 14-15 CMPST HEMI	USED W/ 10-11" ADULT ANG ADJ FTPLTS
11B	741155	HEEL LOOP 16-17 CMPST HEMI	USED W/ 12 -13" ADULT ANG ADJ FTPLTS
11C	741153	H/L 18-20 CMPST/14-15 ANG ADJ	USED W/ 14-15"/16-17" ADULT ANG ADJ FTPLTS
11D	741253	HEEL LOOP ADLT ADJ F/PLT 18-20	USED W/ 18 -20" ADULT ANG ADJ FTPLTS
12	500656	ADLT ANGL ADJ F/PLT 10/11" R	RIGHT
12	500657	ADLT ANGL ADJ F/PLT 10/11" L	LEFT
12	500658	ADLT ANGL ADJ F/PLT 12/13" R	RIGHT
12	500659	ADLT ANGL ADJ F/PLT 12/13" L	LEFT
12	500660	ADLT ANGL ADJ F/PLT 14/15	RIGHT
12	500661	ADLT ANGL ADJ F/PLT 14/15	LEFT
12	500662	ADLT ANGL ADJ F/PLT 16/17	RIGHT
12	500663	ADLT ANGL ADJ F/PLT 16/17	LEFT
12	500664	ADLT ANGL ADJ F/PLT 18-20	RIGHT
12	500665	ADLT ANGL ADJ F/PLT 18-20	LEFT
13	740260	TOE/ANKLE STRAP ADJ ADLT F/PLT	
14	106958	1/4-20 x 1 HEX C/S	
1-3,5,6,8,9,12	820526	AD ANG ADJ F/PLT R 12"/13" OMIT HL	RIGHT
1-3,5,6,8,9,12	820536	AD ANG ADJ F/PLT L 12"/13" OMT HL	LEFT
1-3,5,6,8,9,12	820460	FP ADLT ADJ 14/15 OMIT HL	RIGHT
1-3,5,6,8,9,12	820462	FP ADLT ADJ 14/15 OMIT HL	LEFT
1-3,5,6,8,9,12	820464	FP ADLT ADJ 16/17 OMIT HL	RIGHT
1-3,5,6,8,9,12	820466	FP ADLT ADJ 16/17 OMIT HL	LEFT
1-3,5,6,8,9,12	820468	FP ADLT ADJ 18-20 OMIT HL	RIGHT
1-3,5,6,8,9,12	820470	FP ADLT ADJ 18-20 OMIT HL	LEFT
1-3,5,6,8,9,12	921466	ADLT ANGL ADJ F/PLT 12"/13" OMIT HL	PAIR
1-3,5,6,8,9,12	921320	FP ADLT ADJ 14/15 OMIT HL	PAIR
1-3,5,6,8,9,12	921322	FP ADLT ADJ 16/17 OMIT HL	PAIR
1-3,5,6,8,9,12	921324	FP ADLT ADJ 18-20 OMIT HL	PAIR
1-3,5,6,8,9,12	820522	AD ANGL ADJ F/PLT R 12/13" H/L	RIGHT
1-3,5,6,8,9,12	820532	AD ANGL ADJ F/PLT L 12/13" H/L	LEFT
1-3,5,6,8-10,11C, 12,14	820461	FP ADLT ADJ 14/15 HL	RIGHT
1-3,5,6,8-10,11C, 12,14	820463	FP ADLT ADJ 14/15 HL	LEFT
1-3,5,6,8-10,11C, 12,14	820465	FP ADLT ADJ 16/17 HL	RIGHT
1-3,5,6,8-10,11C, 12,14	820467	FP ADLT ADJ 16/17 HL	LEFT
1-3,5,6,8-10,11D, 12,14	820469	FP ADLT ADJ 18-20 HL	RIGHT
1-3,5,6,8-10,11D, 12,14	820471	FP ADLT ADJ 18-20 HL	LEFT
1-3,5,6,8-10,11B, 12,14	921462	ADLT ANGL ADJ F/PLATE 12"/13" HL	PAIR
1-3,5,6,8-10,11C, 12,14	921321	FP ADLT ADJ 14/15 HL	PAIR
1-3,5,6,8-10,11C, 12,14	921323	FP ADLT ADJ 16/17 HL	PAIR
1-3,5,6,8-10,11D, 12,14	921325	FP ADLT ADJ 18-20 HL	PAIR
1-3,6,7A,9-10,14	101533	ADLT ANG ADJ FP D2 HDWR KIT	FOR DOUBLE D EXT TUBES
1-3B,4B,6,7B,9,10,14	101534	ADLT ANG ADJ FP RND HDWR KIT	FOR ROUND EXT TUBES (Q2 HP ONLY)



Pos.	Item Number	Description	Remarks
1	106978	FHCS 1/4 -28 x 7/8 ROHS	
2	500635	KIDS ANGL ADJ F/PLT 10" R	Right
2	500636	KIDS ANGL ADJ F/PLT 10" L	Left
2	500637	KIDS ANGL ADJ F/PLT 11" R	Right
2	500638	KIDS ANGL ADJ F/PLT 11" L	Left
2	500639	KIDS ANGL ADJ F/PLT 12" R	Right
2	500640	KIDS ANGL ADJ F/PLT 12" L	Left
2	500641	KIDS ANGL ADJ F/PLT 13" R	Right
2	500642	KIDS ANGL ADJ F/PLT 13" L	Left
2	500643	KIDS ANGL ADJ F/PLT 14" R	Right
2	500644	KIDS ANGL ADJ F/PLT 14" L	Left
2	500645	KIDS ANGL ADJ F/PLT 15" R	Right
2	500646	KIDS ANGL ADJ F/PLT 15" L	Left
2	500647	KIDS ANGL ADJ F/PLT 16" R	Right
2	500648	KIDS ANGL ADJ F/PLT 16" L	Left
3	550350	3/4" CLAMP ADJ FOOTPLATE	
4	106935	NUT NYLOCK THIN 1/4 -28 ROHS	
5	106962	1/4-28 x 1 3/4 BH C/S BLK ZN (D2 EXTENSION TUBES)	

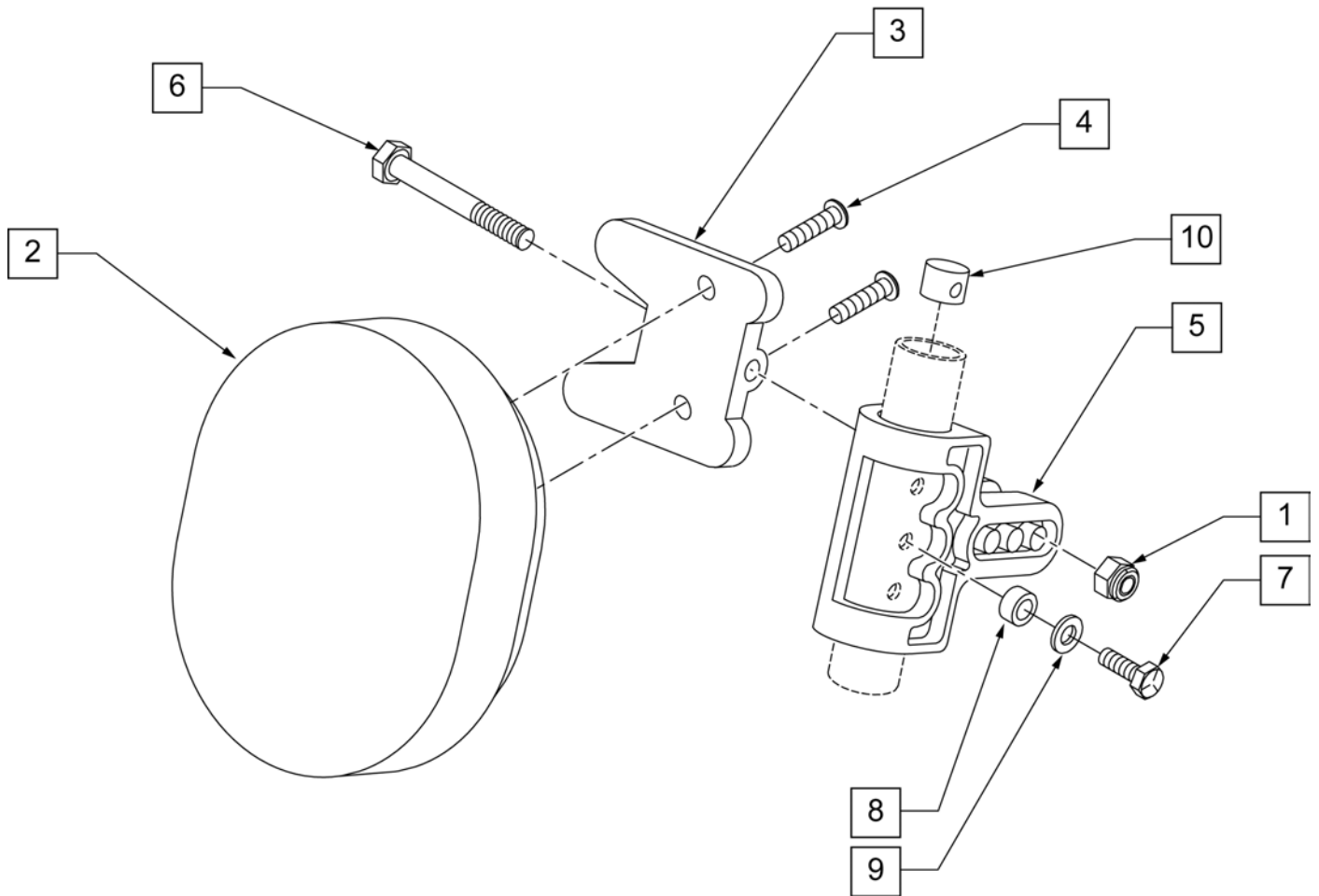
Pos.	Item Number	Description	Remarks
5	226167	1/4-28 x 1.625 BH C/S BLK (ROUND EXTENSION TUBES)	
6	106945	1/4 SAE WASHER	
7	541002	FTRST MOUNTING BRKT-3/8 RAD R	
7	541003	FTRST MOUNTING BRKT-3/8 RAD L	
8	561055	3/4" SADDLE 1" OD	
9	106944	WASHER FLAT THIN AN 1/4 ROHS	
10	106941	NUT AUTOMATION 1/4 -28 ROHS	
1-7,9,10	828850	KIDS ANG ADJ F/PLT EXT-MNT 10"R	Right
1-7,9,10	828851	KIDS ANG ADJ F/PLT EXT-MNT 10"L	Left
1-7,9,10	828852	KIDS ANG ADJ F/PLT EXT-MNT 11"R	Right
1-7,9,10	828853	KIDS ANG ADJ F/PLT EXT-MNT 11"L	Left
1-7,9,10	828854	KIDS ANG ADJ F/PLT EXT-MNT 12"R	Right
1-7,9,10	828855	KIDS ANG ADJ F/PLT EXT-MNT 12"L	Left
1-7,9,10	828856	KIDS ANG ADJ F/PLT EXT-MNT 13"R	Right
1-7,9,10	828857	KIDS ANG ADJ F/PLT EXT-MNT 13"L	Left
1-7,9,10	828858	KIDS ANG ADJ F/PLT EXT-MNT 14"R	Right
1-7,9,10	828859	KIDS ANG ADJ F/PLT EXT-MNT 14"L	Left
1-7,9,10	828860	KIDS ANG ADJ F/PLT EXT-MNT 15"R	Right
1-7,9,10	828861	KIDS ANG ADJ F/PLT EXT-MNT 15"L	Left
1-7,9,10	828862	KIDS ANG ADJ F/PLT EXT-MNT 16"R	Right
1-7,9,10	828863	KIDS ANG ADJ F/PLT EXT-MNT 16"L	Left
1-7,9,10	921280	KIDS ANG ADJ F/PLT EXT-MNT 10"	Pair
1-7,9,10	921281	KIDS ANG ADJ F/PLT EXT-MNT 11"	Pair
1-7,9,10	921282	KIDS ANG ADJ F/PLT EXT-MNT 12"	Pair
1-7,9,10	921283	KIDS ANG ADJ F/PLT EXT-MNT 13"	Pair
1-7,9,10	921284	KIDS ANG ADJ F/PLT EXT-MNT 14"	Pair
1-7,9,10	921285	KIDS ANG ADJ F/PLT EXT-MNT 15"	Pair
1-7,9,10	921286	KIDS ANG ADJ F/PLT EXT-MNT 16"	Pair

NOTE: WHEN USING AN ARTICULATING LEGREST ASSEMBLY, THE PULL-TO-LOCK WHEEL LOCK MUST BE USED.

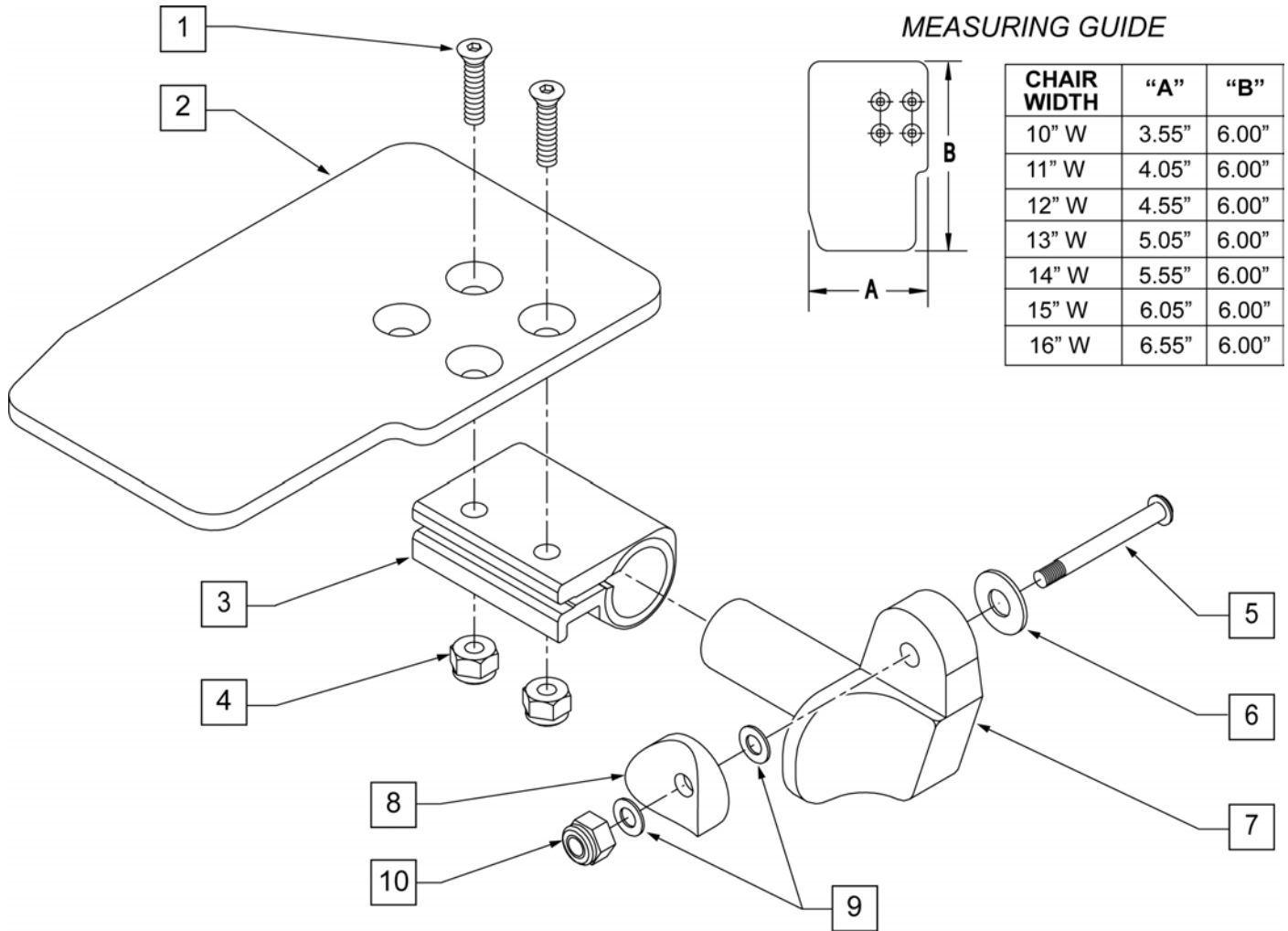


Pos.	Item Number	Description	Remarks
1	106983	5/16-18 x 2 BH C/S SHT THREAD	
2	562720	ALR COVER STD	
3	106937	5/16-18 NYLOCK NUT THIN	
4	106935	NUT NYLOCK THIN 1/4-28 ROHS	
5	560501	ALR RELEASE LEVER COVER	
6	505902	ALR RELEASE LEVER	
7	321141	650L x 6 COIL SPRING	
8	483060	ALR SPRING PLUG	
9	880526	ALR BRACKET W/LINK R	
9	880527	ALR BRACKET W/LINK L	
10	342000	1/4" E-CLIP	
11	481052	ALR RETAINING STUD	
12	106934	1/4-28 NYLOCK NUT	

Pos.	Item Number	Description	Remarks
13	500177	ALR PIVOT SADDLE .125	
14	500178	ALR PIVOT SADDLE BLOCK	
15	226057	10/24 x .725 BTTN HD SOC BZ	
16	561079	S/A LATCH LEVER	
17	321136	S/A SPRING R CLEAR	
17	321137	S/A SPRING R	
18	561004	1' SADDLE 1/4 HOLE	
19	107016	1/4-28 x 3 G8 HEX C/S	
20	882466	ALR S/A TUBE ASSM L	
20	882467	ALR S/A TUBE ASSM R	
23	106964	1/4-28 x 2 BH C/S	
24	561016	1" WASHER 5/16 HOLE	
25	505900	ALR RATCHET BLOCK	
26	483062	ALR RATCHET ROD	
27	561006	1" SADDLE 5/16" HOLE	
28	106961	1/4-28 x 1 1/4 BH C/S	
29	505025S	KIDS ALR LEGREST TUBE 11-13"	
30	500150	2" FOOTREST EXT TUBE	
31	106935	NUT NYLOCK THIN 1/4-28 ROHS	
32	226195	5/16-18 x 1.82 BH C/S	
33	106937	5/16-18 NYLOCK NUT THIN	
34	923053S	KIDS ALR HANGER ASSEM W/PAD	(PR) (SPECIFY COLOR)
28,30,31	111505	2" FTREST EXT W/ HDWR	
21,22	881500	LATCH BLOCK ASSM R	
21,22	881501	LATCH BLOCK ASSM L	
1-31	641432S	KIDS ALR HNGR W/O PAD R 2" EXT	
1-31	641433S	KIDS ALR HNGR W/O PAD L 2" EXT	

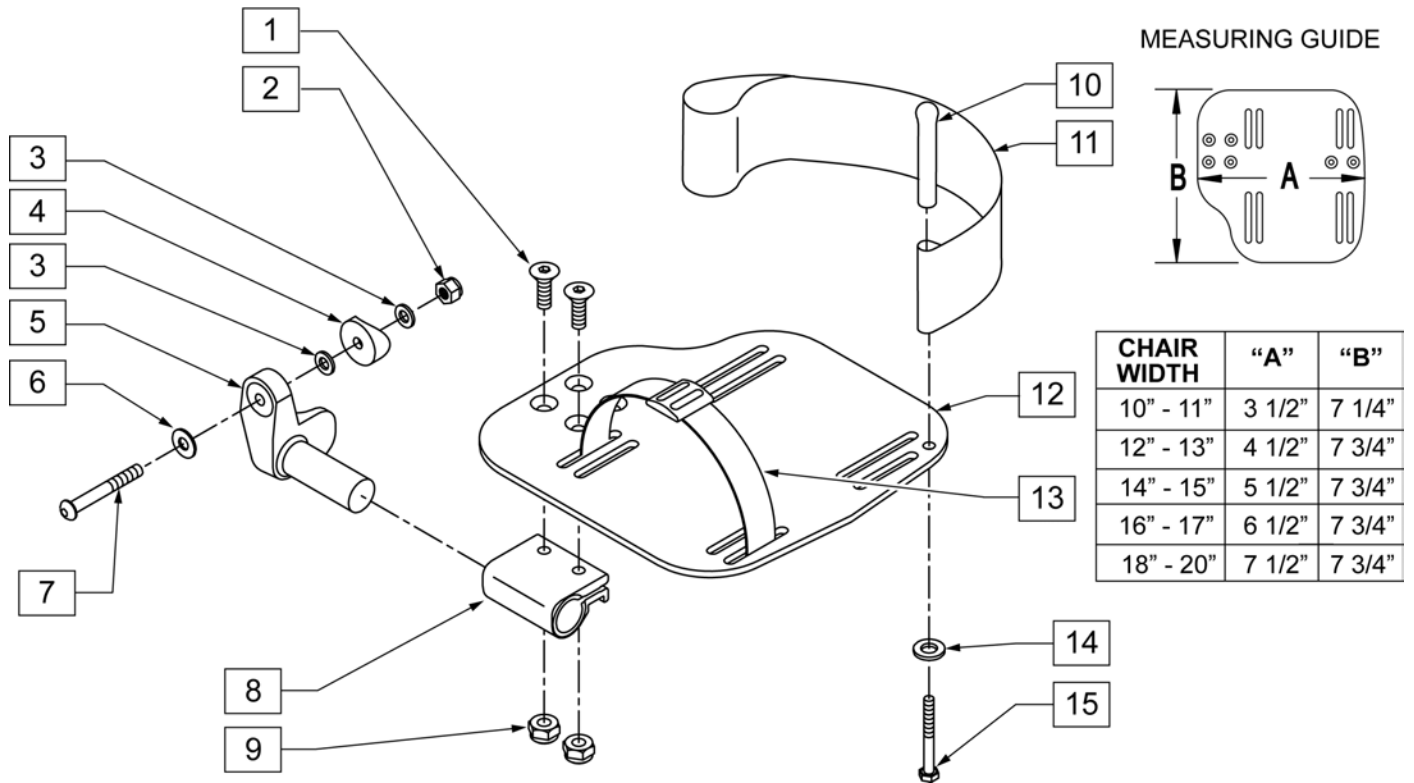


Pos.	Item Number	Description
1	106936	5/16-18 NYLOCK NUT THICK
2	755020	4 x 5 OVAL PAD
3	561096	ALR/ELR CALF PAD BRACKET
4	281181	1/4-20 x 3/4 PAN PHIL
5	561099	CALF CLAMP ALR
6	107019	HHCS 5/16-18 X 3-1/2 ROHS
7	107017	1/4-20 x 1 1/4 G8 HEX C/S
8	483027	1/4 x 1/4 ALUMINUM SPACER
9	262130	6mm WASHER WAVE
10	500151	KIDS ALR RETAINING PLUG
1-6	881401	KIDS ALR OVAL PAD W/BRACKET
1-10	881402	KIDS ALR OVAL PAD ASSEMBLY (EA)



Pos.	Item Number	Description	Remarks	Pos.	Item Number	Description	Remarks
1	106978	FHCS 1/4-28 X 7/8 ROHS		7	541001	FTRST MOUNTING BRKT 1 RAD	LEFT
2	500635	KIDS ANGL ADJ F/PLT 10	RIGHT	8	561004	1 SADDLE 1/4 HOLE	
2	500636	KIDS ANGL ADJ F/PLT 10	LEFT	9	106943	WASHER FLAT THIN AN 1/4	
2	500637	KIDS ANGL ADJ F/PLT 11	RIGHT	10	106941	NUT AUTOMATION 1/4-28 ROHS	
2	500638	KIDS ANGL ADJ F/PLT 11	LEFT	1-10	828821	KIDS ANG ADJ F/PLT ASSM 10	RIGHT
2	500639	KIDS ANGL ADJ F/PLT 12	RIGHT	1-10	828822	KIDS ANG ADJ F/PLT ASSM 10	LEFT
2	500640	KIDS ANGL ADJ F/PLT 12	LEFT	1-10	828823	KIDS ANG ADJ F/PLT ASSM 11	RIGHT
2	500641	KIDS ANGL ADJ F/PLT 13	RIGHT	1-10	828824	KIDS ANG ADJ F/PLT ASSM 11	LEFT
2	500642	KIDS ANGL ADJ F/PLT 13	LEFT	1-10	828825	KIDS ANG ADJ F/PLT ASSM 12	RIGHT
2	500643	KIDS ANGL ADJ F/PLT 14	RIGHT	1-10	828826	KIDS ANG ADJ F/PLT ASSM 12	LEFT
2	500644	KIDS ANGL ADJ F/PLT 14	LEFT	1-10	828827	KIDS ANG ADJ F/PLT ASSM 13	RIGHT
2	500645	KIDS ANGL ADJ F/PLT 15	RIGHT	1-10	828828	KIDS ANG ADJ F/PLT ASSM 13	LEFT
2	500646	KIDS ANGL ADJ F/PLT 15	LEFT	1-10	828829	KIDS ANG ADJ F/PLT ASSM 14	RIGHT
2	500647	KIDS ANGL ADJ F/PLT 16	RIGHT	1-10	828830	KIDS ANG ADJ F/PLT ASSM 14	LEFT
2	500648	KIDS ANGL ADJ F/PLT 16	LEFT	1-10	828831	KIDS ANG ADJ F/PLT ASSM 15	RIGHT
3	550350	3/4 CLAMP ADJ FOOTPLATE		1-10	828832	KIDS ANG ADJ F/PLT ASSM 15	LEFT
4	106935	NUT NYLOCK THIN 1/4-28 ROHS		1-10	828833	KIDS ANG ADJ F/PLT ASSM 16	RIGHT
5	226147	1/4-28 X 1.85 BH C/S BLK ZN		1-10	828834	KIDS ANG ADJ F/PLT ASSM 16	LEFT
6	106945	WASHER FLAT SAE 1/4 ROHS		1-10	921226	KIDS ANG ADJ F/PLT ASSM 10	PAIR
7	541000	FTRST MOUNTING BRKT 1 RAD	RIGHT	1-10	921227	KIDS ANG ADJ F/PLT ASSM 11	PAIR

Pos.	Item Number	Description	Remarks	Pos.	Item Number	Description	Remarks
1-10	921228	KIDS ANG ADJ F/PLT ASSM 12	PAIR	1-10	921231	KIDS ANG ADJ F/PLT ASSM 15	PAIR
1-10	921229	KIDS ANG ADJ F/PLT ASSM 13	PAIR	1-10	921232	KIDS ANG ADJ F/PLT ASSM 16	PAIR
1-10	921230	KIDS ANG ADJ F/PLT ASSM 14	PAIR				



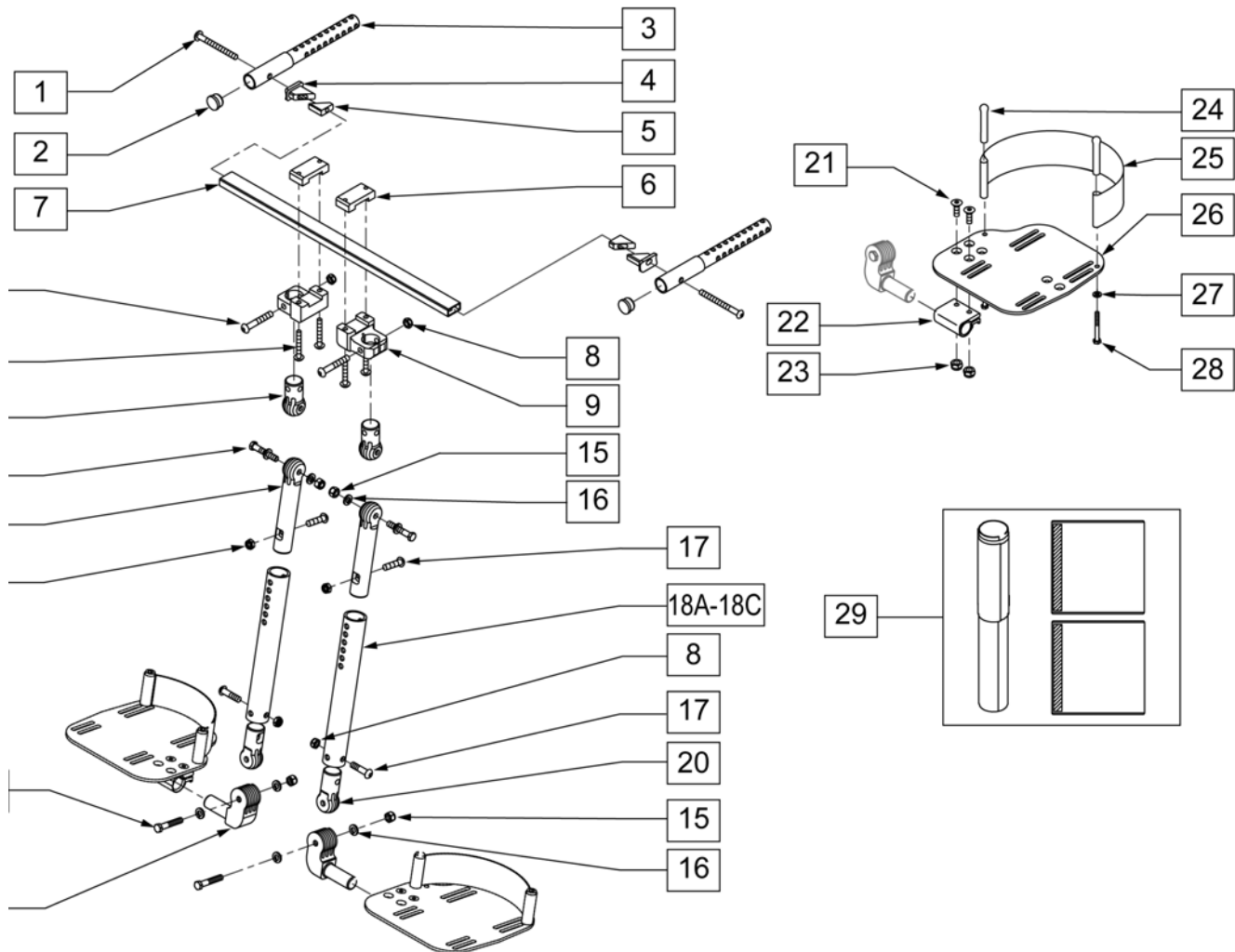
Pos.	Item Number	Description	Remarks
1	106978	FHCS 1/4-28 X 7/8 ROHS	
2	106941	NUT AUTOMATION 1/4-28 ROHS	
3	106943	WASHER FLAT AN 1/4 ROHS	
4	561004	1" SADDLE 1/4" HOLE	
5	541000	FOOTREST MOUNTING BRKT-1" RAD	RIGHT
5	541001	FOOTREST MOUNTING BRKT-1" RAD	LEFT
6	106945	WASHER FLAT SAE 1/4 ROHS	
7	106964	BHCS 1/4-28 X 2	
8	550350	3/4" CLAMP ADJ FOOTPLATE	
9	106935	NUT NYLOCK THIN 1/4-28 ROHS	
10	561040	HEEL LOOP PEG	
11	741153	HEEL LOOP 18-20 CMPST/14-15 ANG ADJ	USED W/ 14-15"/16-17" ADULT ANG ADJ FTPLTS
11	741253	HEEL LOOP ADLT ADJ F/PLT 18-20	USED W/ 18 -20" ADULT ANG ADJ FTPLTS
12	500656	ADULT ANGL ADJ F/PLT 10/11	RIGHT
12	500657	ADULT ANGL ADJ F/PLT 10/11	LEFT
12	500658	ADULT ANGL ADJ F/PLT 12/13	RIGHT
12	500659	ADULT ANGL ADJ F/PLT 12/13	LEFT
12	500660	ADULT ANGL ADJ F/PLT 14/15	RIGHT
12	500661	ADULT ANGL ADJ F/PLT 14/15	LEFT
12	500662	ADULT ANGL ADJ F/PLT 16/17	RIGHT
12	500663	ADULT ANGL ADJ F/PLT 16/17	LEFT
12	500664	ADULT ANGL ADJ F/PLT 18-20	RIGHT
12	500665	ADULT ANGL ADJ F/PLT 18-20	LEFT
13	740260	TOE-ANKLE STRAP ADJ ADULT FOOTPLATE	
14	106943	WASHER FLAT AN 1/4 ROHS	

Pos.	Item Number	Description	Remarks
15	106958	HHCS 1/4-20 X 1 ROHS	
1-9,12	820544	FP ADULT ADJ 90D 10/11 R	RIGHT
1-9,12	820554	FP ADULT ADJ 90D 10/11 L	LEFT
1-9,12	820546	FP ADULT ADJ 90D 12/13 R	RIGHT
1-9,12	820556	FP ADULT ADJ 90D 12/13 L	LEFT
1-9,12	820472	FP ADULT ADJ 90D 14/15 R	RIGHT
1-9,12	820473	FP ADULT ADJ 90D 14/15 L	LEFT
1-9,12	820474	FP ADULT ADJ 90D 16/17 R	RIGHT
1-9,12	820475	FP ADULT ADJ 90D 16/17 L	LEFT
1-9,12	820476	FP ADULT ADJ 90D 18-20 R	RIGHT
1-9,12	820477	FP ADULT ADJ 90D 18-20 L	LEFT
1-9,12	921474	ADULT ANGL ADJ 90D 10/11 OMIT H/L	PAIR
1-9,12	921476	ADULT ANGL ADJ 90D 12/13 OMIT H/L	PAIR
1-9,12	921330	ADULT ANGL ADJ 90D 14/15 OMIT H/L	PAIR
1-9,12	921331	ADULT ANGL ADJ 90D 16/17 OMIT H/L	PAIR
1-9,12	921332	ADULT ANGL ADJ 90D 18-20 OMIT H/L	PAIR
1-12,14,15	820540	F/PLT ADULT ADJ 90D 10/11 R W/ HL	RIGHT
1-12,14,15	820550	F/PLT ADULT ADJ 90D 10/11 L W/ HL	LEFT
1-12,14,15	820542	F/PLT ADULT ADJ 90D 12/13 R W/ HL	RIGHT
1-12,14,15	820552	F/PLT ADULT ADJ 90D 12/13 L W/ HL	LEFT
1-12,14,15	820478	F/PLT ADULT ADJ 90D 14/15 R W/ HL	RIGHT
1-12,14,15	820479	F/PLT ADULT ADJ 90D 14/15 L W/ HL	LEFT
1-12,14,15	820480	F/PLT ADULT ADJ 90D 16/17 R W/ HL	RIGHT
1-12,14,15	820481	F/PLT ADULT ADJ 90D 16/17 L W/ HL	LEFT
1-12,14,15	820482	F/PLT ADULT ADJ 90D 18-20 R W/ HL	RIGHT
1-12,14,15	820483	F/PLT ADULT ADJ 90D 18-20 L W/ HL	LEFT
1-12,14,15	921470	F/PLT ADULT ADJ 90D 10/11 W/ HL	PAIR
1-12,14,15	921472	F/PLT ADULT ADJ 90D 12/13 W/ HL	PAIR
1-12,14,15	921333	F/PLT ADULT ADJ 90D 14/15 W/ HL	PAIR
1-12,14,15	921334	F/PLT ADULT ADJ 90D 16/17 W/ HL	PAIR
1-12,14,15	921335	F/PLT ADULT ADJ 90D 18-20 W/ HL	PAIR

NOTE: 20" WIDE FOOTPLATE AND COMPONENTS ARE ALSO USED FOR THE 21" AND 22" WIDTHS.

NOTE: WHEN RETRO-FITTING CONTRACTURE FOOTREST TO AN EXISTING IRIS CHAIR WITH S/N PREFIX CGT, NEW SEAT RAILS ARE REQUIRED. ITEM 520234 QUANTITY 2.

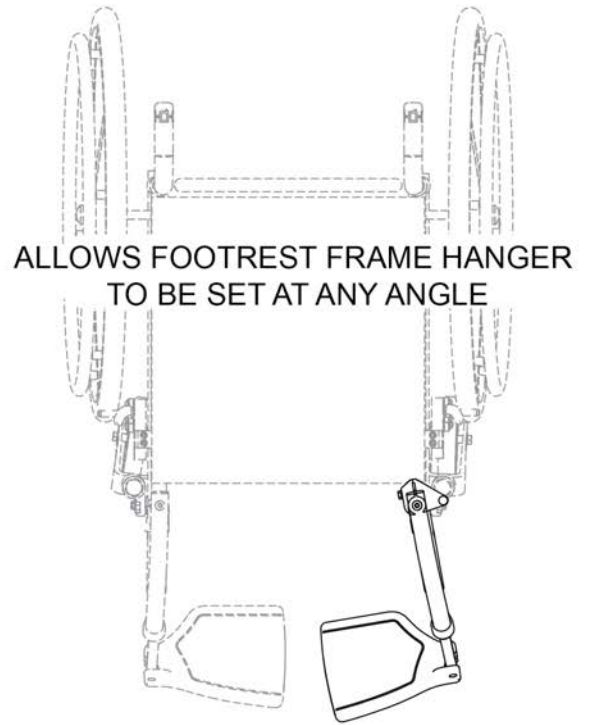
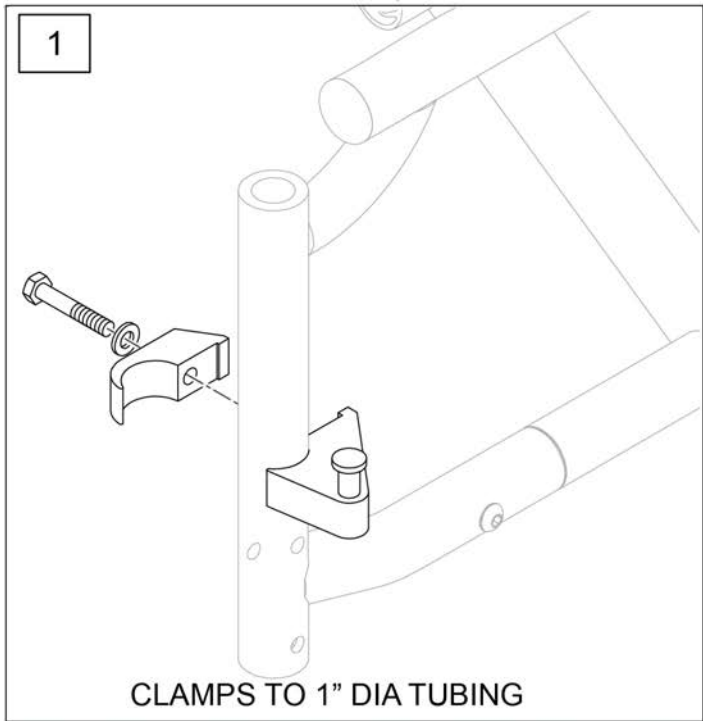
NOTE: WHEN RETRO-FITTING CONTRACTURE FOOTREST TO AN EXISTING IRIS CHAIR WITH S/N PREFIX IRS OR IRSE, NEW SEAT RAILS ARE REQUIRED. ITEM 105800-004 (NON-HEAVY DUTY) QUANTITY 2 OR 105800-008 (HEAVY DUTY) QUANTITY 2.



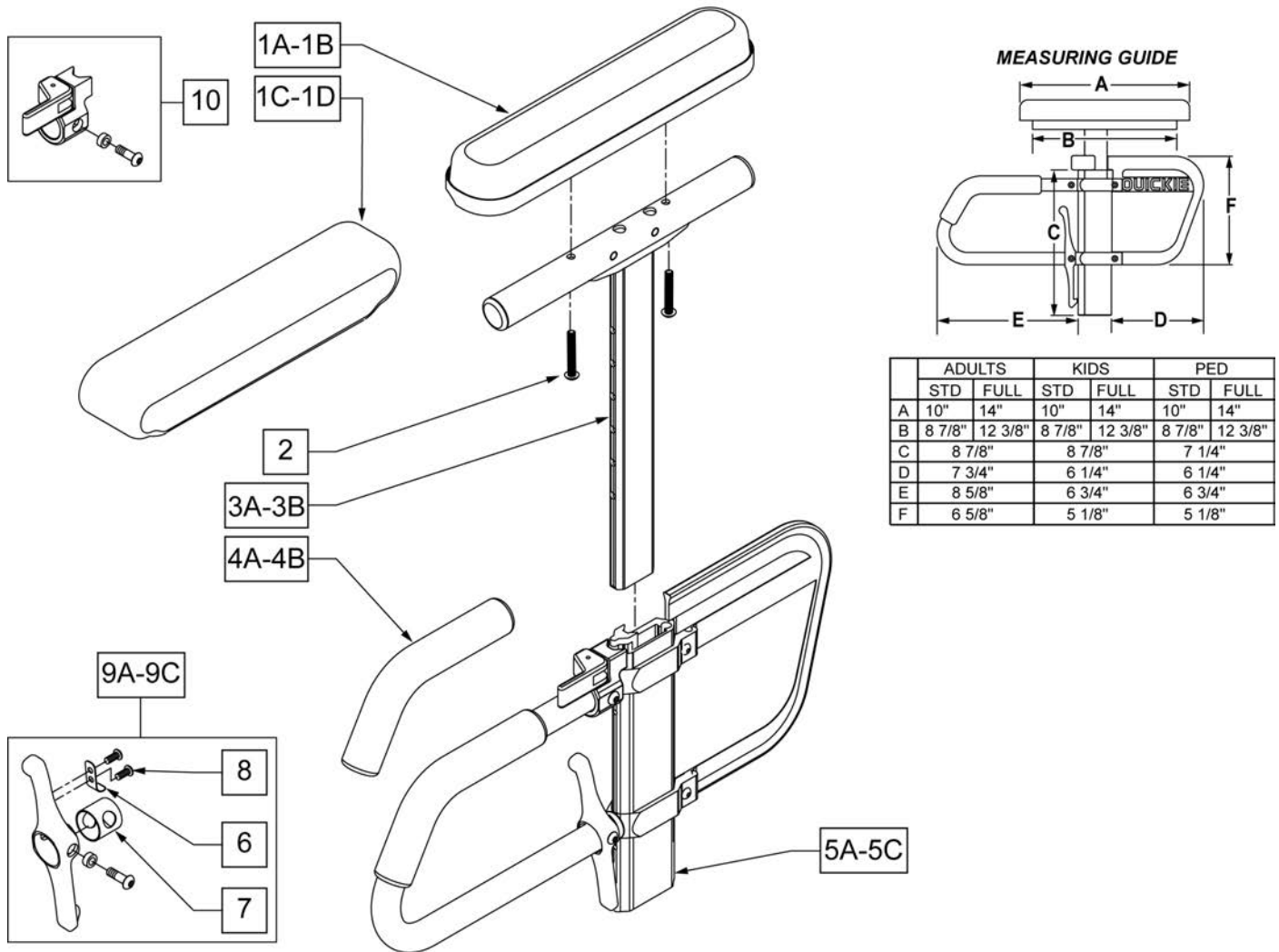
Pos.	Item Number	Description	Remarks
1	107227	1/4 -28 x 2 1/2 BH C/S BLK	
2	561002	1 INSERT PLUG .083	
3	540597	WELDMENT CONTRACTURE FOOTREST	
4	500792	CONTRACTURE FOOTREST TAB BODY	

Pos.	Item Number	Description	Remarks
5	500791	CONTRACTURE FOOTREST TAB SLIDE	
6	550465	CLAMP TOP QTS	
7	521460	CONTRACTURE FOOTREST RAIL 14"	
7	521461	CONTRACTURE FOOTREST RAIL 15"	
7	521462	CONTRACTURE FOOTREST RAIL 16"	
7	521463	CONTRACTURE FOOTREST RAIL 17"	
7	521464	CONTRACTURE FOOTREST RAIL 18"	
7	521465	CONTRACTURE FOOTREST RAIL 19"	
7	521466	CONTRACTURE FOOTREST RAIL 20"	
7	521467	CONTRACTURE FOOTREST RAIL 21"	
7	521468	CONTRACTURE FOOTREST RAIL 22"	
8	202117	5/16-18 NYLOCK NUT THICK BLK	
9	483180	OFFSET CLAMP BODY QTS	
10	106983	BHCS 5/16 -18 x 2 SHOULDER ROHS	
11	106961	BHCS 1/4 -28 x 1 1/4 ROHS	
12	483191	EXTERIOR LOCKING JOINT QTS	
13	222235	5/16-18 x 1 3/4 HEX C/S BLK	
14	503005	ADJUSTMENT LOCKING JOINT	
15	202117	5/16-18 NYLOCK NUT THICK BLK	
16	265103	5/16 WASHER MED BLK LK SPLT	
17	222109	5/16-18 x 1 1/4 BH C/S BLK ZN	
18A	524041	SHORT CONTRACTURE FOOTREST MOUNT TUBE	10.5" -13"Leg Lengths
18B	524044	MEDIUM CONTRACTURE FOOTREST MOUNT TUBE	12.5" -15"Leg Lengths
18C	524045	CONTRACTURE FOOTREST MOUNT TUBE-LONG	14.5 -17"Leg Lengths
19	483189	FOOTREST JOINT QTS	
20	483181	INTERIOR LOCKING JOINT QTS	
21	106978	FHCS 1/4 -28 x 7/8 ROHS	
22	550350	3/4 CLAMP ADJUSTABLE FOOT PLATE	
23	106935	NUT NYLOCK THIN 1/4 -28 ROHS	
24	561040	HEEL LOOP PEG	
25	741130	HEEL LOOP MULTI-POSITION 14/15	
25	741131	HEEL LOOP MULTI-POSITION 16/17	
25	741132	HEEL LOOP MULTI-POSITION 18-20	
26A	500660	ADULT ANGLE ADJUSTABLE FOOT PLATE 14/15	RIGHT
26A	500661	ADULT ANGLE ADJUSTABLE FOOT PLATE 14/15	LEFT
26B	500662	ADULT ANGLE ADJUSTABLE FOOT PLATE 16/17	RIGHT
26B	500663	ADULT ANGLE ADJUSTABLE FOOT PLATE 16/17	LEFT
26C	500664	ADULT ANGLE ADJUSTABLE FOOT PLATE 18-20	RIGHT
26C	500665	ADULT ANGLE ADJUSTABLE FOOT PLATE 18-20	LEFT
27	106944	WASHER FLAT THIN AN 1/4 ROHS	
28	106958	HHCS 1/4 -28 x 1 ROHS	
29	731101	COVER PAD CONTRACTURE FOOT REST	
8, 12-20	888810	CONTRACTURE FOOT REST MOUNT TUBE ASSM-SHORT	SHORT
8, 12-20	888811	CONTRACTURE FOOT REST MOUNT TUBE ASSM-MED	MED
1-18A,19-29	921958	CONTRACTURE FOOT REST KIT IRIS 14 SHORT	
1-18B,19-29	921959	CONTRACTURE FOOT REST KIT IRIS 14 MED	
1-18C,19-29	921960	CONTRACTURE FOOT REST KIT IRIS 14" LONG	
1-18A,19-29	921961	CONTRACTURE FOOT REST KIT IRIS 15 SHORT	
1-18B,19-29	921962	CONTRACTURE FOOT REST KIT IRIS 15 MED	
1-18C,19-29	921963	CONTRACTURE FOOT REST KIT IRIS 15" LONG	
1-18A,19-29	921964	CONTRACTURE FOOT REST KIT IRIS 16 SHORT	
1-18B,19-29	921965	CONTRACTURE FOOT REST KIT IRIS 16 MED	
1-18C,19-29	921966	CONTRACTURE FOOT REST KIT IRIS 16" LONG	
1-18A,19-29	921967	CONTRACTURE FOOT REST KIT IRIS 17 SHORT	
1-18B,19-29	921968	CONTRACTURE FOOT REST KIT IRIS 17 MED	
1-18C,19-29	921969	CONTRACTURE FOOT REST KIT IRIS 17" LONG	

Pos.	Item Number	Description	Remarks
1-18A,19-29	921970	CONTRACTURE FOOT REST KIT IRIS 18 SHORT	
1-18B,19-29	921971	CONTRACTURE FOOT REST KIT IRIS 18 MED	
1-18C,19-29	921972	CONTRACTURE FOOT REST KIT IRIS 18" LONG	
1-18A,19-29	921973	CONTRACTURE FOOT REST KIT IRIS 19 SHORT	
1-18B,19-29	921974	CONTRACTURE FOOT REST KIT IRIS 19 MED	
1-18C,19-29	921975	CONTRACTURE FOOT REST KIT IRIS 19" LONG	
1-18A,19-29	921976	CONTRACTURE FOOT REST KIT IRIS 20 SHORT	
1-18B,19-29	921977	CONTRACTURE FOOT REST KIT IRIS 20 MED	
1-18C,19-29	921978	CONTRACTURE FOOT REST KIT IRIS 20" LONG	
1-18A,19-29	921979	CONTRACTURE FOOT REST KIT IRIS 21 SHORT	
1-18B,19-29	921984	CONTRACTURE FOOT REST KIT IRIS 21 MED	
1-18C,19-29	921985	CONTRACTURE FOOT REST KIT IRIS 21" LONG	
1-18A,19-29	921986	CONTRACTURE FOOT REST KIT IRIS 22 SHORT	
1-18B,19-29	921987	CONTRACTURE FOOT REST KIT IRIS 22 MED	
1-18C,19-29	921988	CONTRACTURE FOOT REST KIT IRIS 22" LONG	



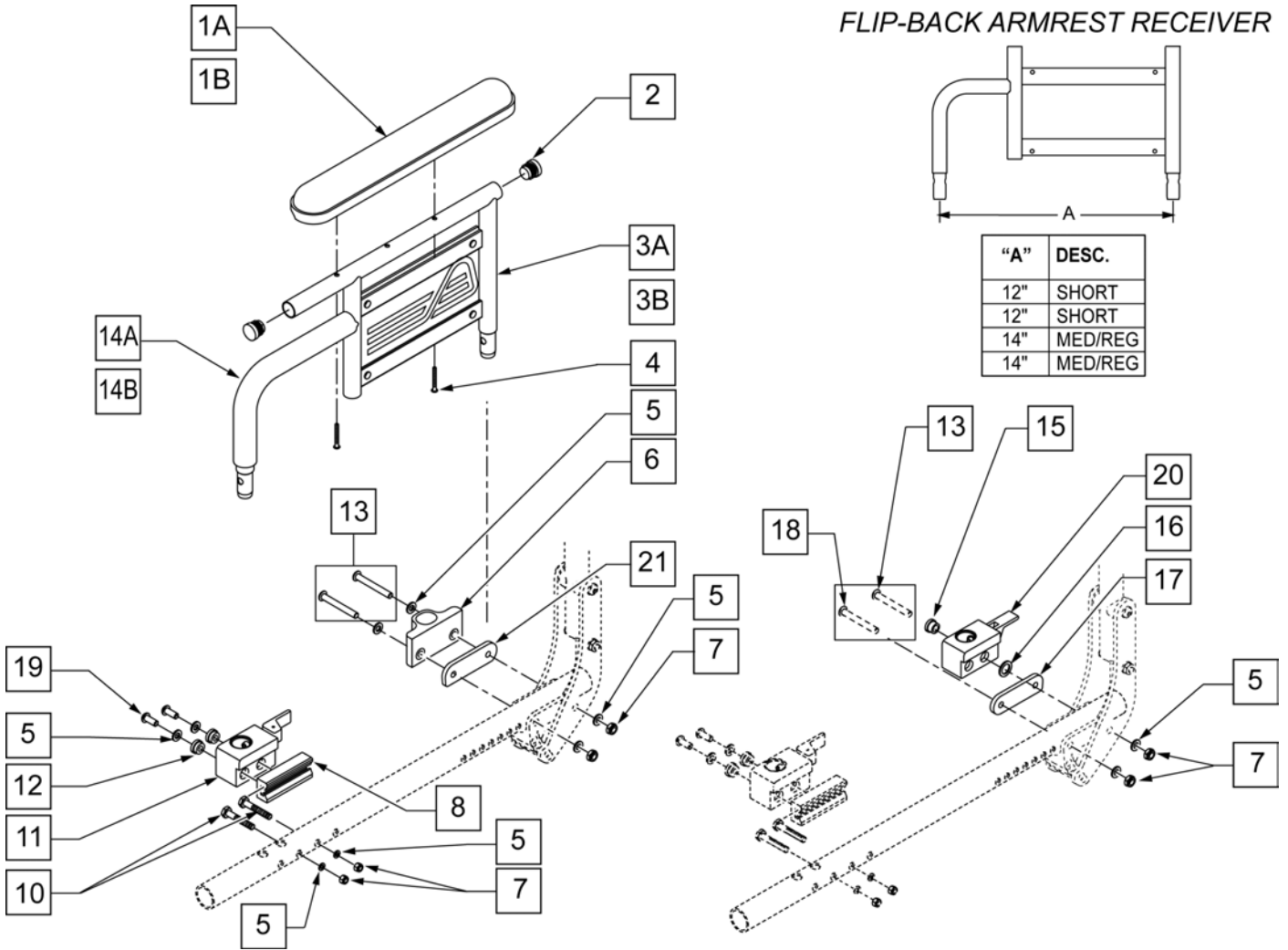
Pos.	Item Number	Description	Remarks
1	112807	LATCH STUD SUPPORT R MULTIPOS	Single
1	112808	LATCH STUD SUPPORT L MULTIPOS	Single
1	112809	LATCH STUD SUPPORT PR MULTIPOS	Pair



Pos.	Item Number	Description	Remarks
1A	561024	ARMREST PAD 10" DESK	DESK PAD
1B	561031	ARMREST PAD 14" FULL	FULL PAD
1C	561280	ARMREST PAD 10" L W/F	LEFT - DESK WATERFALL PAD
1C	561281	ARMREST PAD 10" R W/F	RIGHT - DESK WATERFALL PAD
1D	561284	ARMREST PAD 14" L W/F	LEFT - FULL WATERFALL PAD
1D	561285	ARMREST PAD 14" R W/F	RIGHT - FULL WATERFALL PAD
2	226038	10-32 x 1 3/8 BH C/S BLK	
4A	560610	5" x .705 x .125 FOAM TUBE	ADULT
4B	560627	7-1/2" x .705 x .125 FOAM TUBE	PEDS/KIDS
5A	882084	HT ADJ LOWER DC ARM ASSM STD R	RIGHT - STANDARD/ADULT
5A	882085	HT ADJ LOWER DC ARM ASSM STD L	LEFT - STANDARD/ADULT
5B	882082	HT ADJ LOWER DC ARM ASM KIDS R	RIGHT - KIDS
5B	882083	HT ADJ LOWER DC ARM ASM KIDS L	LEFT - KIDS
5C	882080	HT ADJ LOWER ARM ASSM PE D R	RIGHT - PEDIATRIC
5C	882081	HT ADJ LOWER ARM ASSM PE D L	LEFT - PEDIATRIC
6	321721	LEVER RETURN SPRING	
7	562825	RELEASE LEVER INNER SLEEVE	
8	281045	#6 x 1/4 PAN PHIL S/M/S	

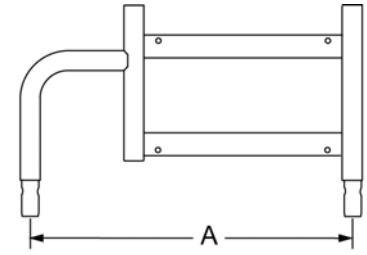
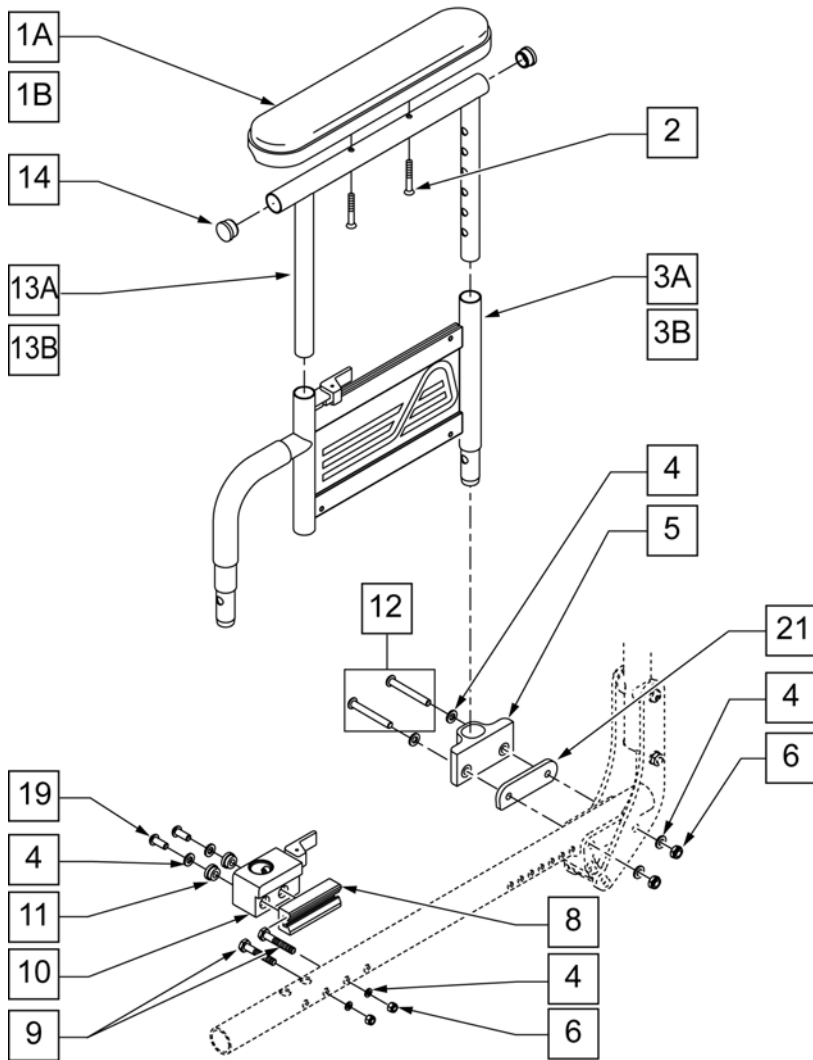
Pos.	Item Number	Description	Remarks
9A	888000	HT ADJ REC REL LEVER ASSM STD	ADULT
9B	888001	HT ADJ REC REL LEVER ASSM KIDS	KIDS
9C	888002	HT ADJ REC REL LEVER ASSM PEDS	PEDS
10	888003	HT ADJ UPPER ARM REL ASSM R	RIGHT
10	888004	HT ADJ UPPER ARM REL ASSM L	LEFT
>>>>		ADULT UPPER ASSEMBLIES	
1A-3A	880192	HT ADJ UPPER ARM ASSM DESK R	RIGHT - ADULT DESK PAD
1A-3A	880198	HT ADJ UPPER ARM ASSM DESK L	LEFT - ADULT DESK PAD
1B-3A	880193	HT ADJ UPPER ARM ASSM FL R	RIGHT - ADULT FULL PAD
1B-3A	880199	HT ADJ UPPER ARM ASSM FL L	LEFT - ADULT FULL PAD
>>>>		ADULT UPPER ASSEMBLIES	
1C-3A	881230	HT ADJ UPPER L ARM ASSM DESK W/F	RIGHT - ADULT DESK WATER FALL PAD
1C-3A	881231	HT ADJ UPPER R ARM ASSM DESK W/F	LEFT - ADULT DESK WATER FALL PAD
1D-3A	881232	HT ADJ UPPER L ARM ASSM FL W/F	RIGHT - ADULT FULL WATER FALL PAD
1D-3A	881233	HT ADJ UPPER R ARM ASSM FL W/F	LEFT - ADULT FULL WATER FALL PAD
>>>>		PEDIATRIC AND KIDS UPPER ASSEMBLIES	
1A-3B	880174	HT ADJ UPPER ARM PED PWR DESK R	RIGHT - PED/KIDS DESK PAD
1A-3B	880175	HT ADJ UPPER ARM PED PWR DESK L	LEFT - PED/KIDS DESK PAD
1B-3B	880176	HT ADJ UPPER ARM PED PWR FULL R	RIGHT - PED/KIDS FULL PAD
1B-3B	880177	HT ADJ UPPER ARM PED PWR FULL L	LEFT - PED/KIDS FULL PAD
>>>>		PEDIATRIC AND KIDS UPPER ASSEMBLIES	
1C-3B	888341	HT ADJ PED UPPER R ARM ASSM D WF	RIGHT - PED/KIDS DESK WATER FALL PAD
1C-3B	888342	HT ADJ PED UPPER L ARM ASSM D WF	LEFT - PED/KIDS DESK WATER FALL PAD
1D-3B	888343	HT ADJ PED UPPER R ARM ASSM F WF	RIGHT - PED/KIDS FULL WATER FALL PAD
1D-3B	888344	HT ADJ PED UPPER L ARM ASSM F WF	LEFT - PED/KIDS FULL WATER FALL PAD
>>>>		COMPLETE ADULT ARMREST ASSEMBLY	
1A-3A-5A	880210	HT ADJ STD R W/DESK ARM PAD	RIGHT - ADULT - DESK PAD
1A-3A-5A	880211	HT ADJ STD L W/DESK ARM PAD	LEFT - ADULT - DESK PAD
1B-3A-5A	880212	HT ADJ STD R W/FULL ARM PAD	RIGHT - ADULT - FULL PAD
1B-3A-5A	880213	HT ADJ STD L W/FULL ARM PAD	LEFT - ADULT - FULL PAD
1C-3A-5A	881301	HT ADJ STD R W/DESK W/F PAD	RIGHT - ADULT - WATERFALL DESK PAD
1C-3A-5A	881300	HT ADJ STD L W/DESK W/F PAD	LEFT - ADULT - WATERFALL DESK PAD
1D-3A-5A	881305	HT ADJ STD R W/FULL W/F PAD	RIGHT - ADULT - WATERFALL FULL PAD
1D-3A-5A	881304	HT ADJ STD L W/FULL W/F PAD	LEFT - ADULT - WATERFALL FULL PAD
>>>>		COMPLETE KIDS ARMREST ASSEMBLY	
1A-3B-5B	880214	HT ADJ KIDS R W/DESK ARM PAD	RIGHT - KIDS - DESK PAD
1A-3B-5B	880215	HT ADJ KIDS L W/DESK ARM PAD	LEFT - KIDS - DESK PAD
1B-3B-5B	880216	HT ADJ KIDS R W/FULL ARM PAD	RIGHT - KIDS - FULL PAD
1B-3B-5B	880217	HT ADJ KIDS L W/FULL ARM PAD	LEFT - KIDS - FULL PAD
1C-3B-5B	881303	HT ADJ KIDS R W/DESK W/F PAD	RIGHT - KIDS - WATERFALL DESK PAD
1C-3B-5B	881302	HT ADJ KIDS L W/DESK W/F PAD	LEFT - KIDS - WATERFALL DESK PAD
1D-3B-5B	881307	HT ADJ KIDS R W/FULL W/F PAD	RIGHT - KIDS - WATERFALL FULL PAD
1D-3B-5B	881306	HT ADJ KIDS L W/FULL W/F PAD	LEFT - KIDS - WATERFALL FULL PAD
>>>>		COMPLETE PEDIATRIC ARMREST ASSEMBLY	
1A-3B-5C	880226	HT ADJ PED R W/DESK ARM PAD	RIGHT - PEDS - DESK PAD
1A-3B-5C	880227	HT ADJ PED L W/DESK ARM PAD	LEFT - PEDS - DESK PAD
1B-3B-5C	880228	HT ADJ PED R W/FULL ARM PAD	RIGHT - PEDS - FULL PAD
1B-3B-5C	880229	HT ADJ PED L W/FULL ARM PAD	LEFT - PEDS - FULL PAD
1C-3B-5C	888345	HT ADJ PED R W/DESK W/F PAD	RIGHT - PEDS - WATERFALL DESK PAD
1C-3B-5C	888346	HT ADJ PED L W/DESK W/F PAD	LEFT - PEDS - WATERFALL DESK PAD
1D-3B-5C	888347	HT ADJ PED R W/FULL W/F PAD	RIGHT - PEDS - WATERFALL FULL PAD
1D-3B-5C	888348	HT ADJ PED L W/FULL W/F PAD	LEFT - PEDS - WATERFALL FULL PAD

FLIP-BACK ARMREST RECEIVER



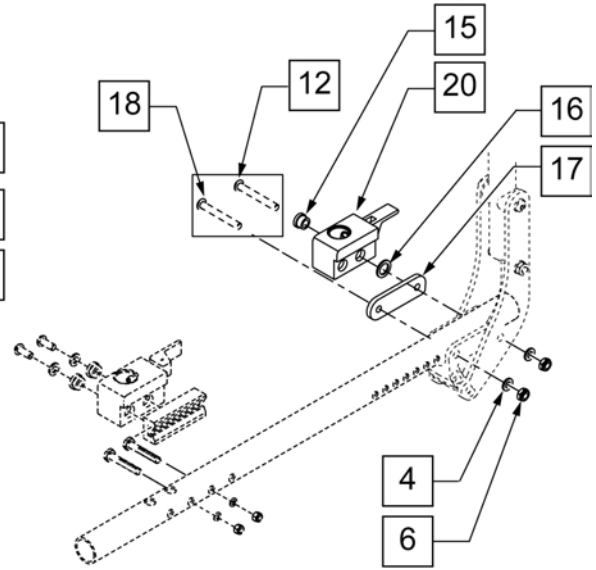
Pos.	Item Number	Description	Remarks
1A	561024	ARMREST PAD 10" DESK	
1B	561031	ARMREST PAD 14" FULL	
2	560735	7/8" ROUND TUBE PLUG	
4	107023	BHCS 10-32 x 1 3/8 ROHS	
5	106943	WASHER FLAT AN 1/4 ROHS	
6	552190	RECEIVER ARMREST DUAL POST REAR FIXED	
7	106935	NUT NYLOCK THIN 1/4 -28 ROHS	
8	506137	ADAPTER FR UNI RECEIVER 1.0 OFFSET	
10	106972	HHCS 1/4 -28 x 1 1/2 ROHS	
11	506366	UNIVERSAL ARMREST RECEIVER ASSM RH	RIGHT-FRONT
11	506367	UNIVERSAL ARMREST RECEIVER ASSM LH	LEFT -FRONT
12	340143	BUSHING .257 ID x .25 LG SST	
13	106967	BHCS 1/4 -28 x 2 1/2 SHLDR ROHS	
14A	560514	FOAM 8" x .840 TUBE	MEDIUM
14B	560515	FOAM 6" x .840 TUBE	SHORT
15	340144	BUSHING STEEL .257 ID x .346 LG SST	
16	561273	1/2 x 3/4 x .060 NYLON WASHER	
17	506140	BACKREST PIVOT ARMREST RECEIVER	
18	106966	BHCS 1/4 -28 x 2 1/4 SHLDR ROHS	

Pos.	Item Number	Description	Remarks
19	226313	BHCS 1/4 -28 x 5/8 SHLDR ROHS	
20	506368	UNIVERSAL ARMREST RECEIVER ASSM RV	RIGHT-REAR
20	506369	UNIVERSAL ARMREST RECEIVER ASSM LV	LEFT -REAR
21	506140	ADAPTER PVT DP UNIV ARMREST IRIS	FITS CHAIRS W/ SN# Prefix CGT Only.
5,7,8,10-12,19	506408	UNIVERSAL DP ARM REC ASSM RFH QTS/IR	RIGHT
5,7,8,10-12,19	506409	UNIVERSAL DP ARM REC ASSM LFH QTS/IR	LEFT
5,7,8,10-12,19,21	920598	DP/DP HEIGHT ADJ ARM RECEIVER KIT	FITS CHAIRS W/ SN# Prefix CGT Only. Left & Rt
1A,2,3A,4	881616	DUAL POST ARM W/ DESK QTS SHORT R	DESK R SHORT
1A,2,3A,4	881617	DUAL POST ARM W/ DESK QTS SHORT L	DESK L SHORT
1B,2,3A,4	881618	DUAL POST ARM W/ FULL QTS SHORT R	FULL R SHORT
1B,2,3A,4	881619	DUAL POST ARM W/ FULL QTS SHORT L	FULL L SHORT
1A,2,3B,4	881580	DUAL POST ARM SHORT W/ DESK R PWR	DESK R MED
1A,2,3B,4	881581	DUAL POST ARM SHORT W/ DESK L PWR	DESK L MED
1B,2,3B,4	881582	DUAL POST ARM SHORT W/ FULL R PWR	FULL R MED
1B,2,3B,4	881583	DUAL POST ARM SHORT W/ FULL L PWR	FULL L MED
5,7,15-17,20	506410	UNIV DP ARMREST RECEIVER ASSM RRV IRIS	RIGHT-REAR
5,7,15-17,20	506411	UNIV DP ARMREST RECEIVER ASSM LRV IRIS	LEFT -REAR
5,7,8,10-12,15-17,20	920599	DP FB/DPST FB HA ARM RECEIVER KIT	FLIP BACK ARM REC. KIT (Includes Frt & Rear Rec's)



ASSEMBLY PART NO.	"A"	DESC.
881686	12"	SHORT
881687	12"	SHORT
881556	14"	MED/REG
881557	14"	MED/REG

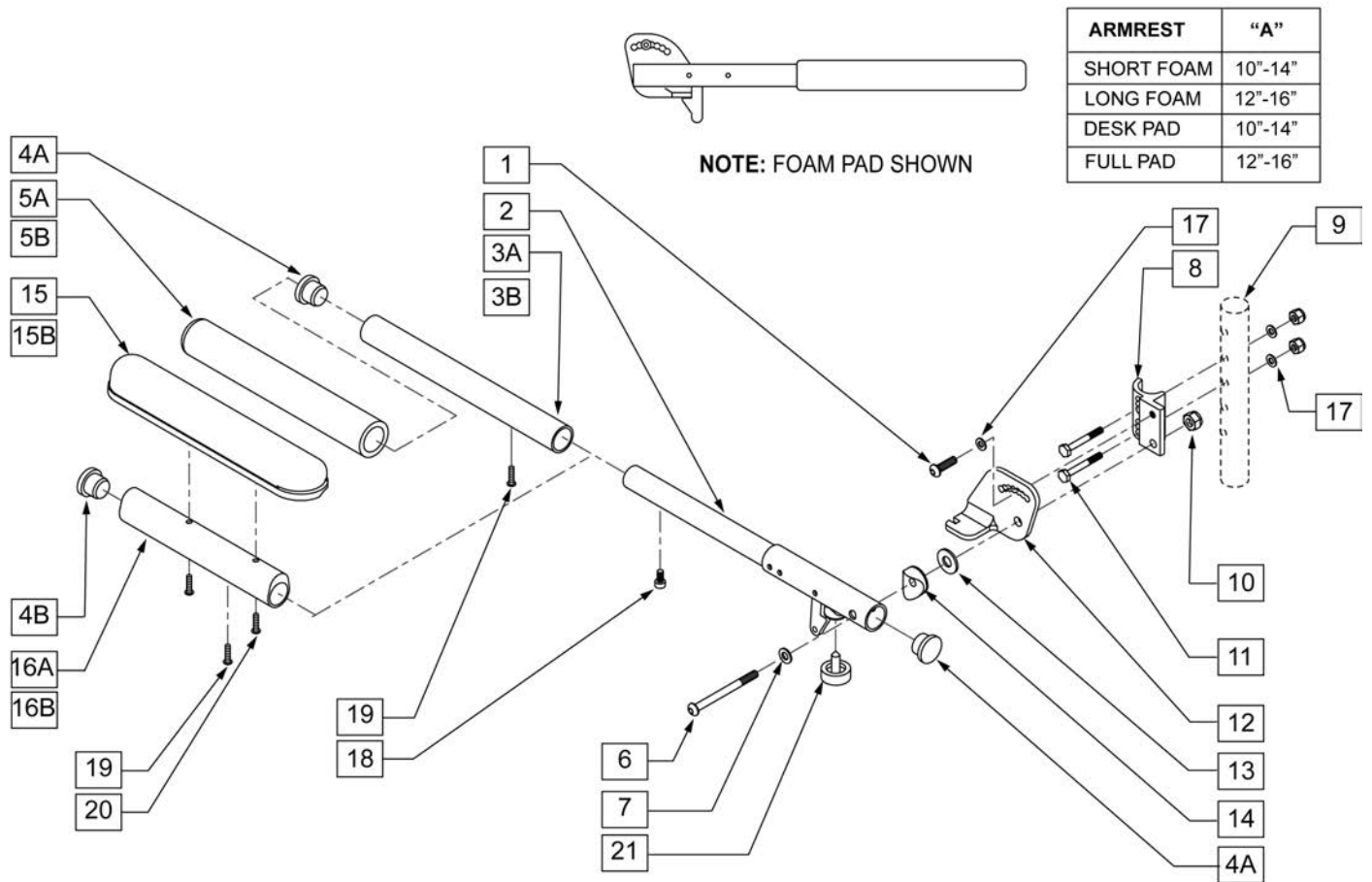
FLIP-BACK ARMREST RECEIVER



Pos.	Item Number	Description	Remarks
1A	561024	ARMREST PAD 10" DESK	
1B	561031	ARMREST PAD 14" FULL	
2	107023	BHCS 10-32 x 1 3/8 ROHS	
3A	881686	DUAL POST ADJ LOWER ARM R	SHORT RIGHT
3A	881687	DUAL POST ADJ LOWER ARM L	SHORT LEFT
3B	881556	ARM ASSM LOWER HT ADJ REGULAR R	REG/MED RIGHT
3B	881557	ARM ASSM LOWER HT ADJ REGULAR L	REG/MED LEFT
4	106943	WASHER FLAT AN 1/4 ROHS	
5	552190	RECEIVER ARMREST DUAL POST REAR FIXED	
6	106935	NUT NYLOCK THIN 1/4 -28 ROHS	
8	506137	ADAPTER FR UNI RECEIVER 1.0 OFFSET	
9	106972	HHCS 1/4 -28 x 1 1/2 ROHS	
10	506366	UNIVERSAL ARMREST RECEIVER ASSM RH	RIGHT-FRONT
10	506367	UNIVERSAL ARMREST RECEIVER ASSM LH	LEFT -FRONT
11	340143	BUSHING .257 ID x .25 LG SST	
12	106967	BHCS 1/4 -28 x 2 1/2 SHLDR ROHS	
13A	521841	DUAL POST ADJ UPPER ARM DESK	

Pos.	Item Number	Description	Remarks
13B	521843	DUAL POST ADJ UPPER ARM FULL	
14	560735	7/8" ROUND TUBE PLUG	
15	340144	BUSHING STEEL .257 ID x .346 LG SST	
16	561273	1/2 x 3/4 x .060 NYLON WASHER	
17	506140	BACKREST PIVOT ARMREST RECEIVER	
18	106966	BHCS 1/4 -28 x 2 1/4 SHOULDER ROHS	
19	226313	BHCS 1/4 -28 x 5/8 PL ROHS	
20	506368	UNIVERSAL ARMREST RECEIVER ASSM RV	RIGHT-REAR
20	506369	UNIVERSAL ARMREST RECEIVER ASSM LV	LEFT -REAR
21	506140	ADAPTER PVT DP UNIV ARMREST IRIS	FITS CHAIRS W/ SN# Prefix CGT Only.
4,6,8-11,19	506408	UNIVERSAL DP ARM REC ASSM RFH QTS/IR	RIGHT-FRONT
4,6,8-11,19	506409	UNIVERSAL DP ARM REC ASSM LFH QTS/IR	LEFT -FRONT
4,6,8-11,19	920598	DP/DP HEIGHT ADJ ARM RECEIVER KIT	FITS CHAIRS W/ SN# Prefix CGT Only.
1A,2,14,13A	881446	DUAL POST UHA ARMREST RH INC DESK	DESK RIGHT
1A,2,14,13A	881447	DUAL POST UHA ARMREST LH INC DESK	DESK LEFT
1B,2,14,13B	881448	DUAL POST UHA ARMREST RH INC FULL	FULL RIGHT
1B,2,14,13B	881449	DUAL POST UHA ARMREST LH INC FULL	FULL LEFT
4,6,15,16,17,20	506410	UNIV DP ARMREST RECEIVER ASSM RRV IRIS	RIGHT-REAR
4,6,15,16,17,20	506411	UNIV DP ARMREST RECEIVER ASSM LRV IRIS	LEFT -REAR
4,6,8-11,15-17,19,20	920599	DP FB/DPST FB HA ARM RECEIVER KIT	FLIP BACK ARM REC. KIT (Includes Frt & Rear Rec's)
1A,2,3A,13A,14	881682	DUAL POST ADJ ARM W/DESK QTS R	RIGHT - DESK LENGTH PAD - SHORT ARM LENGTH
1A,2,3A,13A,14	881683	DUAL POST ADJ ARM W/DESK QTS L	LEFT - DESK LENGTH PAD - SHORT ARM LENGTH
1B,2,3A,13B,14	881684	DUAL POST ADJ ARM W/FULL QTS R	RIGHT - FULL LENGTH PAD - SHORT ARM LENGTH
1B,2,3A,13B,14	881685	DUAL POST ADJ ARM W/FULL QTS L	LEFT - FULL LENGTH PAD - SHORT ARM LENGTH
1A,2,3B,13A,14	881560	DUAL POST ADJ ARM SHT W/DESK R	RIGHT - DESK LENGTH PAD - REG/MED ARM LENGTH
1A,2,3B,13A,14	881561	DUAL POST ADJ ARM SHT W/DESK L	LEFT - DESK LENGTH PAD - REG/MED ARM LENGTH
1B,2,3B,13B,14	881566	DUAL POST ADJ ARM SHT W/FULL R	RIGHT - FULL LENGTH PAD - REG/MED ARM LENGTH
1B,2,3B,13B,14	881567	DUAL POST ADJ ARM SHT W/FULL L	LEFT - FULL LENGTH PAD - REG/MED ARM LENGTH

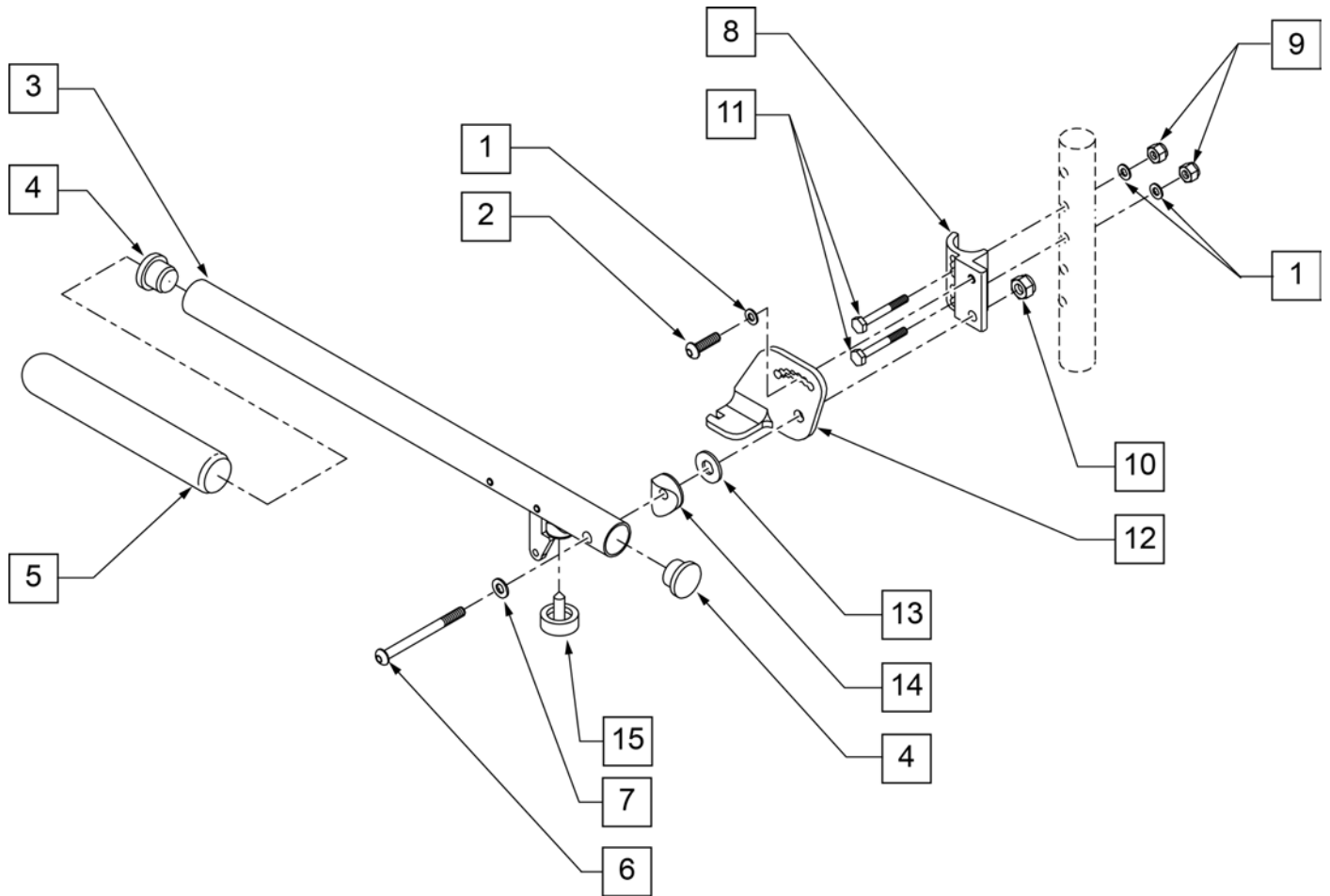
NOTE: FOR ARMRESTS PRIOR TO 7/22/96 USE RETRO FIT KIT TO REPLACE ADJUSTABLE FLIP-UP ARM CLAMP.



Pos.	Item Number	Description	Remarks
1	107025	BHCS 1/4-28 x 1/2 ROHS	
4A	561002	1" INSERT PLUG .083	
4B	561062	1" INSERT PLUG .065	
5A	560299	7 x .940 x .20 FOAM GRIP	SHORT PAD
5B	560640	9" X .93" X .155" FOAM GRIP	LONG PAD
6	106983	BHCS 5/16-18 x 2 SHLDR ROHS	
7	106947	WASHER FLAT THIN AN 5/16 ROHS	
8	550168	ADJUSTABLE LOCK FLIP-UP ARM MOUNT	RIGHT
8	550169	ADJUSTABLE LOCK FLIP-UP ARM MOUNT	LEFT
9	106935	NYLOCK NUT THIN 1/4 -28 ROHS	
10	202117	5/16-18 NYLOCK NUT THICK BLK	
11	106972	HHCS 1/4-28 x 1 1/2 ROHS	
12	550474	ADJUSTABLE FLIP-BACK ARM BRACKET	RIGHT
12	550475	ADJUSTABLE FLIP-BACK ARM BRACKET	LEFT
13	561016	1" WASHER 5/16" HOLE	
14	561006	1" SADDLE 5/16" HOLE	
15A	561024	ARMREST PAD 10" DESK	

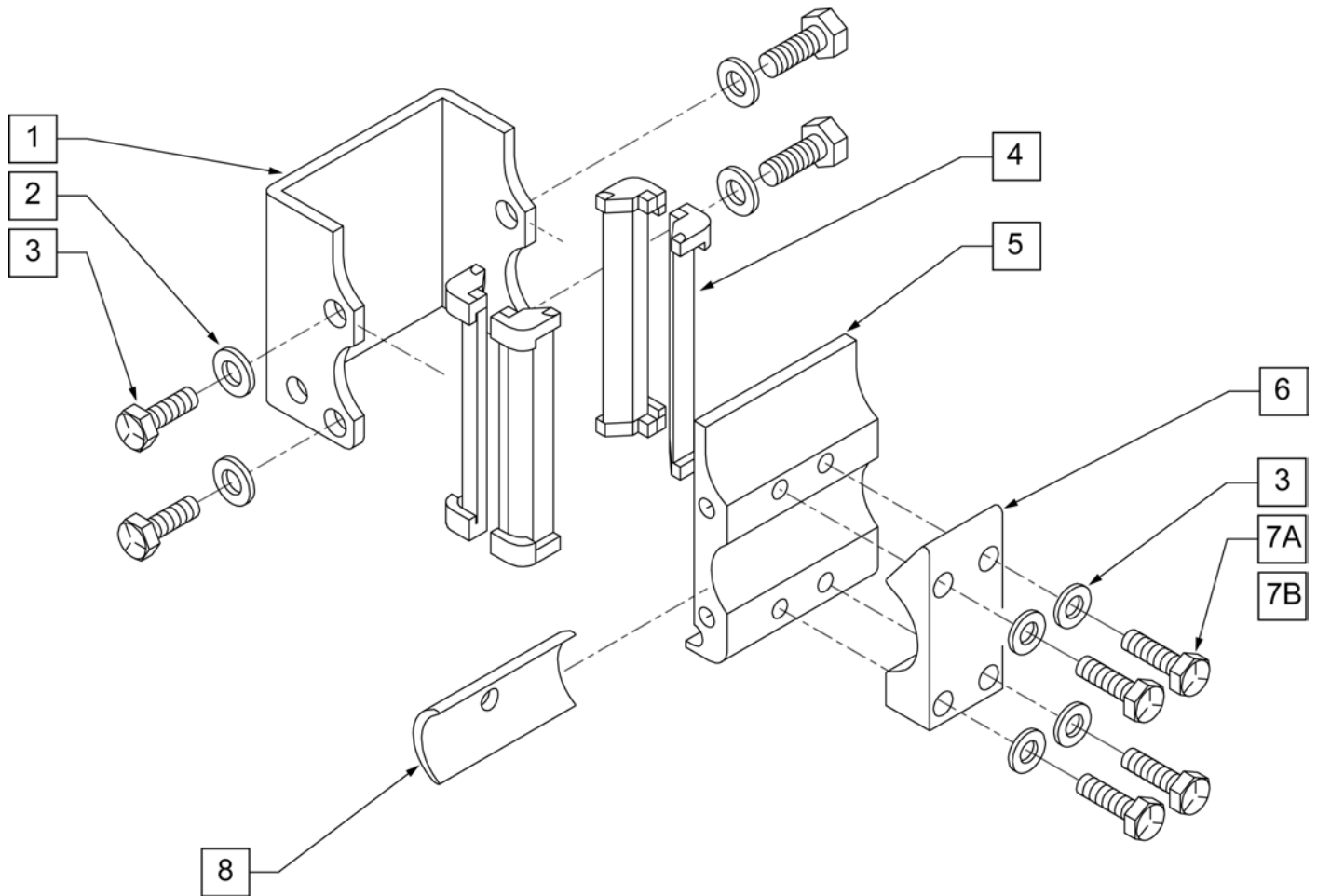
Pos.	Item Number	Description	Remarks
15B	561031	ARMREST PAD 14" FULL	
17	106943	WASHER FLAT AN 1/4 ROHS	
18	107036	SHCS 8 -32 x 3/8 ROHS	
19	225110	10-32 X 1/2" SET SCREW	
20	107022	BHCS 10-32 X 5/8 ROHS	
21	560252	1" COVED STEM BUMPER	
3B, 4A, 5B, 19	882074	FOAM PAD LONG ADJUSTABLE LENGTH	LONG PAD ASSM ONLY
3A, 4A, 5A, 19	882075	FOAM PAD LONG ADJUSTABLE LENGTH	SHORT PAD ASSM ONLY
4B,15B,16B,19,20	882070	FULL PAD ADJUSTABLE LENGTH ASSM	RIGHT FULL PAD ASSM ONLY
4B,15B,16B,19,20	882071	FULL PAD ADJUSTABLE LENGTH ASSM	LEFT FULL PAD ASSM ONLY
4B,15A,16A,19,20	882072	DESK PAD ADJUSTABLE LENGTH ASSM	RIGHT DESK PAD ASSM ONLY
4B,15A,16A,19,20	882073	DESK PAD ADJUSTABLE LENGTH ASSM	LEFT DESK PAD ASSM ONLY
1,2,6-14,17,22	882088	ADJ LENGTH LOCKING FLIP-UP ASSM R	RIGHT ARM ASSM W/O PAD
1,2,6-14,17,22	882089	ADJ LENGTH LOCKING FLIP-UP ASSM R	LEFT ARM ASSM W/O PAD
1,2,3B,4A,5B,6-14,17,19 -21	900454	ADJ LENGTH LOCKING FLIP-UP FOAM LONG	PAIR - LONG FOAM ARM ASSM
1,2,3B,4A,5B,6-14,17,19 -21	881294	ADJ LENGTH LOCKING FLIP-UP FOAM LONG	RIGHT - LONG FOAM ARM ASSM
1,2,3B,4A,5B,6-14,17,19 -21	881295	ADJ LENGTH LOCKING FLIP-UP FOAM LONG	LEFT - LONG FOAM ARM ASSM
1,2,3A,4A,5A,6-14,17,19 -21	900455	ADJ LENGTH LOCKING FLIP-UP FOAM SHORT	PAIR - SHORT FOAM ARM ASSM
1,2,3A,4A,5A,6-14,17,19 -21	881296	ADJ LENGTH LOCKING FLIP-UP FOAM SHORT	RIGHT - SHORT FOAM ARM ASSM
1,2,3A,4A,5A,6-14,17,19 -21	881297	ADJ LENGTH LOCKING FLIP-UP FOAM SHORT	LEFT - SHORT FOAM ARM ASSM
1,2,4B,6-14,15B,16B,17-21	900452	ADJ LENGTH LOCKING FLIP-UP ASSM FULL	PAIR - FULL PAD ARM ASSM
1,2,4B,6-14,15B,16B,17-21	881290	ADJ LENGTH LOCKING FLIP-UP FULL PAD	RIGHT - FULL PAD ARM ASSM
1,2,4B,6-14,15B,16B,17-21	881291	ADJ LENGTH LOCKING FLIP-UP FULL PAD	LEFT - FULL PAD ARM ASSM
1,2,4B,6-14,15A,16A,17-21	900453	ADJ LENGTH LOCKING FLIP-UP ASSM DESK	PAIR - DESK PAD ARM ASSM
1,2,4B,6-14,15A,16A,17-21	881292	ADJ LENGTH LOCKING FLIP-UP DESK PAD	RIGHT - DESK PAD ARM ASSM
1,2,4B,6-14,15A,16A,17-21	881293	ADJ LENGTH LOCKING FLIP-UP DESK PAD	LEFT - DESK PAD ARM ASSM

ADJUSTABLE LOCKING FLIP-UP ARMREST

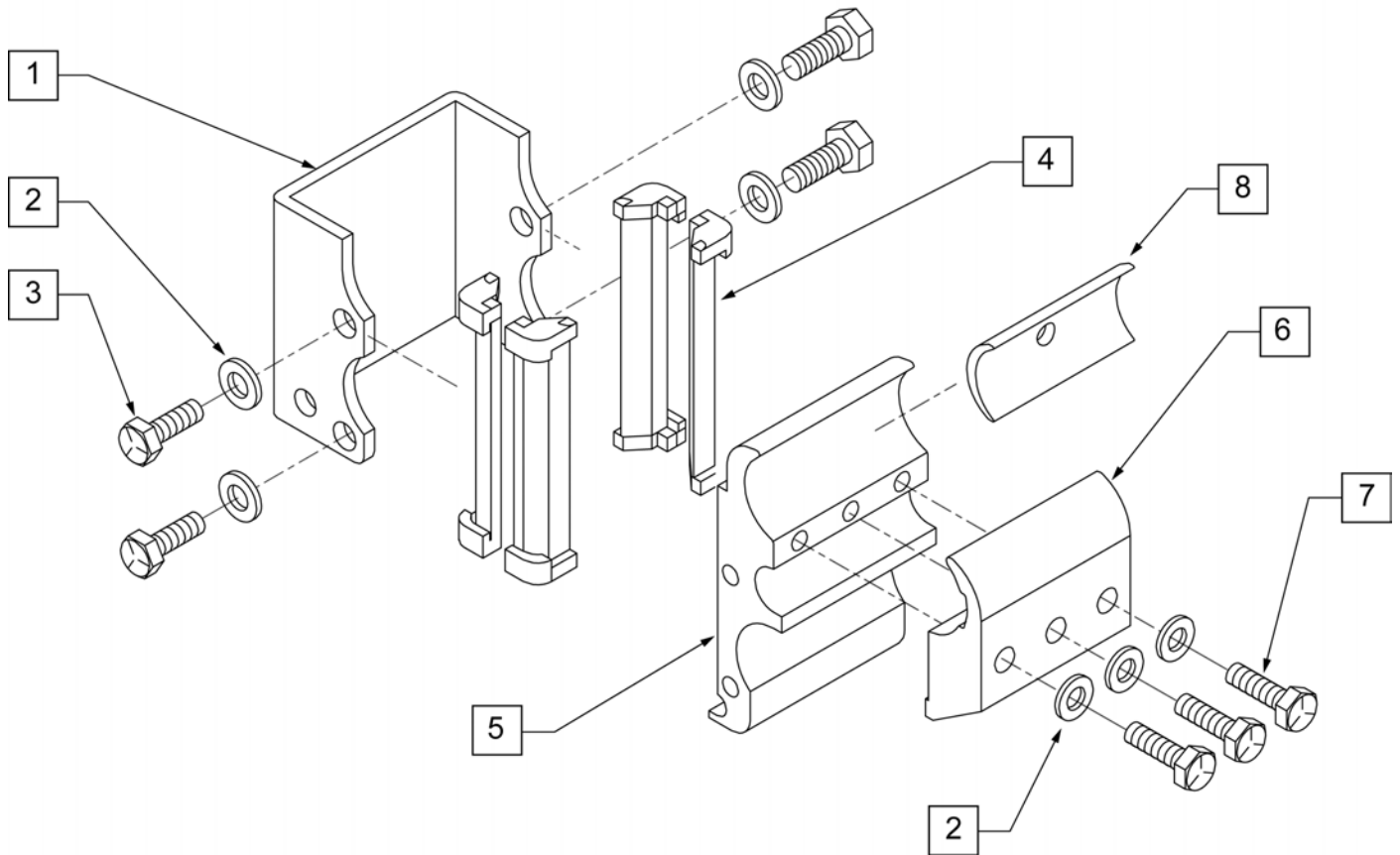


Pos.	Item Number	Description	Remarks
1	106943	1/4 AN WASHER FLAT	
2	107025	1/4-28 x 1/2 BH C/S	
4	561002	1" INSERT PLUG .083	
5	560640	9 x .93 x .155 FOAM GRIP	
6	106983	5/16-18 x 2 BH C/S SHT THREAD	
7	106947	5/16 WASHER FLAT THIN	
8	550168	ADJ LOCK FLIP-UP ARM MNT R	
8	550169	ADJ LOCK FLIP-UP ARM MNT L	
9	106935	1/4-28 NYLOCK NUT THIN	
10	202117	5/16-18 NYLOCK NUT THICK BLK	
11	106972	1/4-28 x 1 1/2 G8 HEX C/S	
12	550474	ADJ FLIP-BACK ARM BRACKET R	
12	550475	ADJ FLIP BACK ARM BRACKET L	
13	561016	1" WASHER 5/16" HOLE	
14	561006	1" SADDLE 5/16" HOLE	
15	560252	1" COVED STEM BUMPER	
3-5	880274	ADJ FLIP-BACK TUBE W/LATCH	
1,2,6,8-10	881272	ADJ LOCK F-UP ARMREST RETRO R	USE FOR ARMREST PRIOR TO 7/22/96
1,2,6,8-10	881273	ADJ LOCK F-UP ARMREST RETRO L	USE FOR ARMREST PRIOR TO 7/22/96
1-15	880272	ADJ FLIP BACK ARMREST R	
1-15	880273	ADJ FLIP BACK ARMREST L	
1-15	900449	ADJ LOCK FLIP-UP ARMREST ASSM	PAIR

- NOTE: USED ON QUICKIE 2 CHAIRS W/ S/N PREFIX Q2..
- NOTE: USED ON ZIPPIE GS CHAIRS W/ S/N PREFIX ZGS & ZGE.
- NOTE: USED ON QUICKIE IRIS CHAIRS.
- NOTE: USED ON QUICKIE LX/LXI CHAIRS.
- NOTE: USED ON ZIPPIE Z-BOP CHAIRS.
- NOTE: USED ON ZIPPIE TS CHAIRS
- NOTE: USED ON BREEZY 600 CHAIRS.

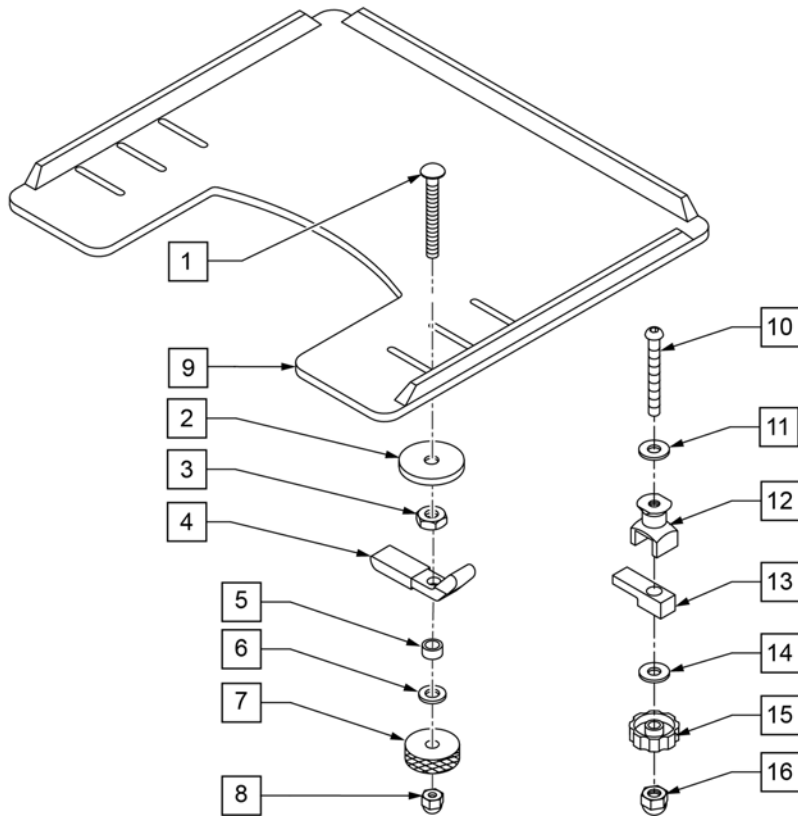


Pos.	Item Number	Description	Remarks
1	550485	HEIGHT ADJUSTABLE RECEIVER CHANNEL	
2	221096	1/4-28 x 5/8 HEX C/S	
3	106943	1/4 AN WASHER FLAT	
4	561134	HEIGHT ADJUSTABLE RECEIVER LINER	
5	550483	HEIGHT ADJUSTABLE RECEIVER STD	
6	550490	HEIGHT ADJUSTABLE RECEIVER CLAMP 4 HOLE	
7A	106971	1/4-28 x 1 3/8 HEX C/S	
7B	106972	1/4-28 X 1 1/2 G8 HEX C/S	USE WITH RECIEVER SPACER
8	550486	HEIGHT ADJUSTABLE RECEIVER SPACER	Used to space Armrest 1/8" from frame on each side
1-5	880230	HEIGHT ADJUSTABLE RECIEVER STD W/O CLAMP	
1-7A	880240	HEIGHT ADJUSTABLE RECIEVER STD W/ CLAMP	
1-7B,8	880245	HEIGHT ADJUSTABLE RECIEVER STD W/ CLAMP AND SPACER	

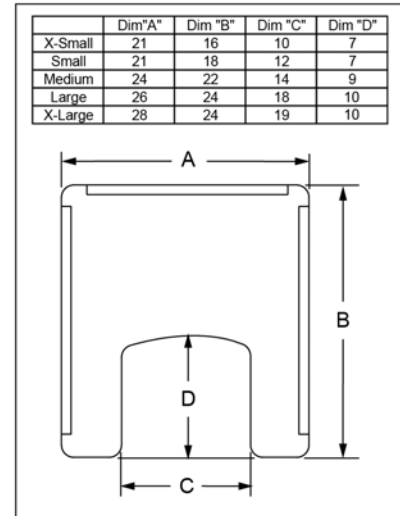


Pos.	Item Number	Description	Remarks
1	550485	HEIGHT ADJUSTABLE RECEIVER CHANNEL	
2	106943	WASHER FLAT AN 1/4 ROHS	
3	221096	1/4-28 x 5/8 HEX C/S	
4	561134	HEIGHT ADJUSTABLE RECEIVER LINER	
5	550484	HEIGHT ADJUSTABLE RECEIVER LOW	
6	550491	HEIGHT ADJUSTABLE RECIEVER CLAMP LOW	
7	221133	1/4-28 x 1 1/2 G8 HEX C/S	
8	550486	HEIGHT ADJUSTABLE RECEIVER SPACER	Used to space Armrest 1/8" from frame on each side
1-5	880231	HEIGHT ADJUSTABLE RECIEVER KIDS W/O CLAMP	
1-7	880241	HEIGHT ADJUSTABLE RECIEVER KIDS W/ CLAMP	
1-8	880249	HEIGHT ADJUSTABLE RECIEVER KIDS W/ CLAMP AND SPACER	

NOTE: WHEN ADDING A TRAY TO AN EXISTING CHAIR WITH DESK OR FULL LENGTH ARM PADS, ADD 1" TO CURRENT SEAT WIDTH TO ACHIEVE THE BEST TRAY SIZE.



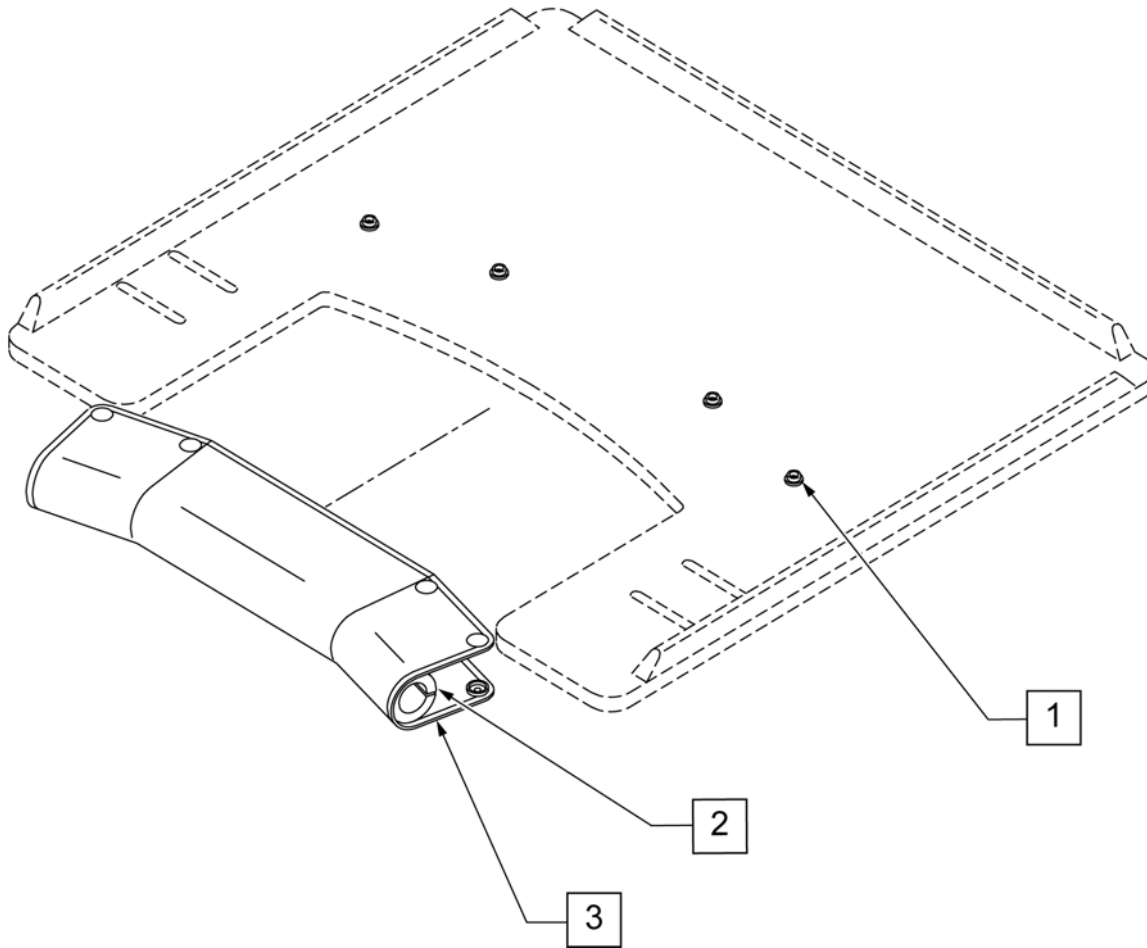
MEASURING GUIDE



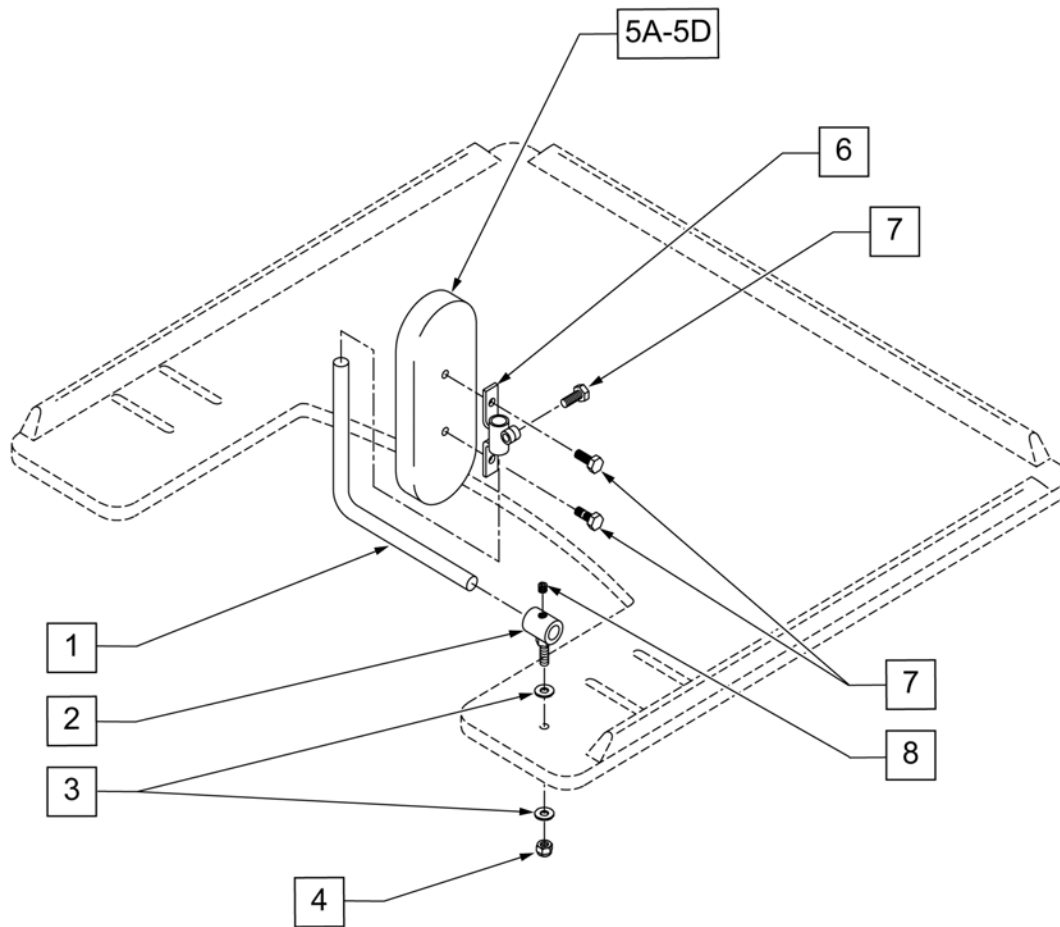
Pos.	Item Number	Description	Remarks
1	226199	5/16-18 x 3 1/2 CARR BOLT	
2	263112	5/16 WASHER FENDER	
3	202110	5/16-18 NUT THIN	
4	550400	TRAY CLAMP	
5	481113	SPACER 5/16 X .380	
6	263100	5/16 AN WASHER FLAT	
7	483026	KNURLED TRAY KNOB	
8	202112	5/16-18 ACORN NUT	
1-8	881051	TRAY HARDWARE KIT TUFFAK NEW STYLE	Pair
9A	562619	TRAY TOP EX-SM W/RAIL	
9B	562620	TRAY TOP SM W/RAIL	
9C	562621	TRAY TOP MED W/RAIL	
9D	562622	TRAY TOP LRG W/RAIL	
9E	562623	TRAY TOP X-LRG W/RAIL	
10-15	881053	TRAY HARDWARE ADJ ARM PWR (14219)	Pair
1-8,9A	902306	TRAY ASSEMBLY EX-SM TUFFAK (10 -12")	Fits 10"-12" wide chairs
1-8,9B	902303	TRAY ASSEMBLY SM TUFFAK (13 -14")	Fits 13"-14" wide chairs
1-8,9C	902304	TRAY ASSEMBLY MED TUFFAK (15 -17")	Fits 15"-17" wide chairs
1-8,9D	902305	TRAY ASSEMBLY LRG TUFFAK (18 -20")	Fits 18"-20" wide chairs
1-8,9E	902309	TRAY ASSEMBLY X-LRG TUFFAK (21 -22")	Fits 21"-22" wide chairs
9A,10-15	902330	TRAY ASSM X-SM TFK 10-12/CAM	Fits 10"-12" wide chairs

Pos.	Item Number	Description	Remarks
9B,10-15	902331	TRAY ASSM SM TUFFAK 13-14/CAM	Fits 13"-14" wide chairs
9C,10-15	902332	TRAY ASSM MED TUFFAK 15-17/CAM	Fits 15"-17" wide chairs
9D,10-15	902333	TRAY ASSM LRG TUFFAK 18-20/CAM	Fits 18"-20" wide chairs

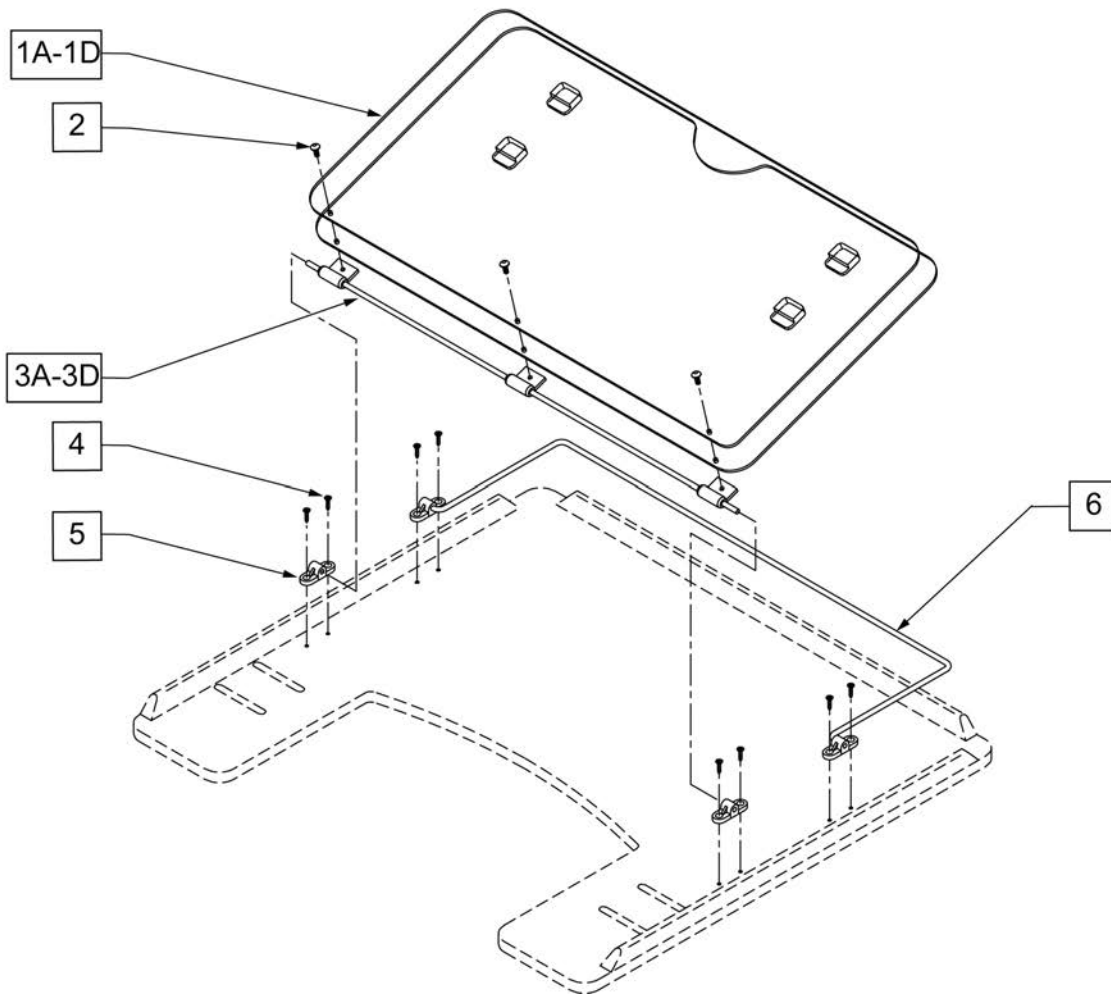
Note: Pad cannot be added to an existing tray as snaps must be installed at the factory to function correctly.



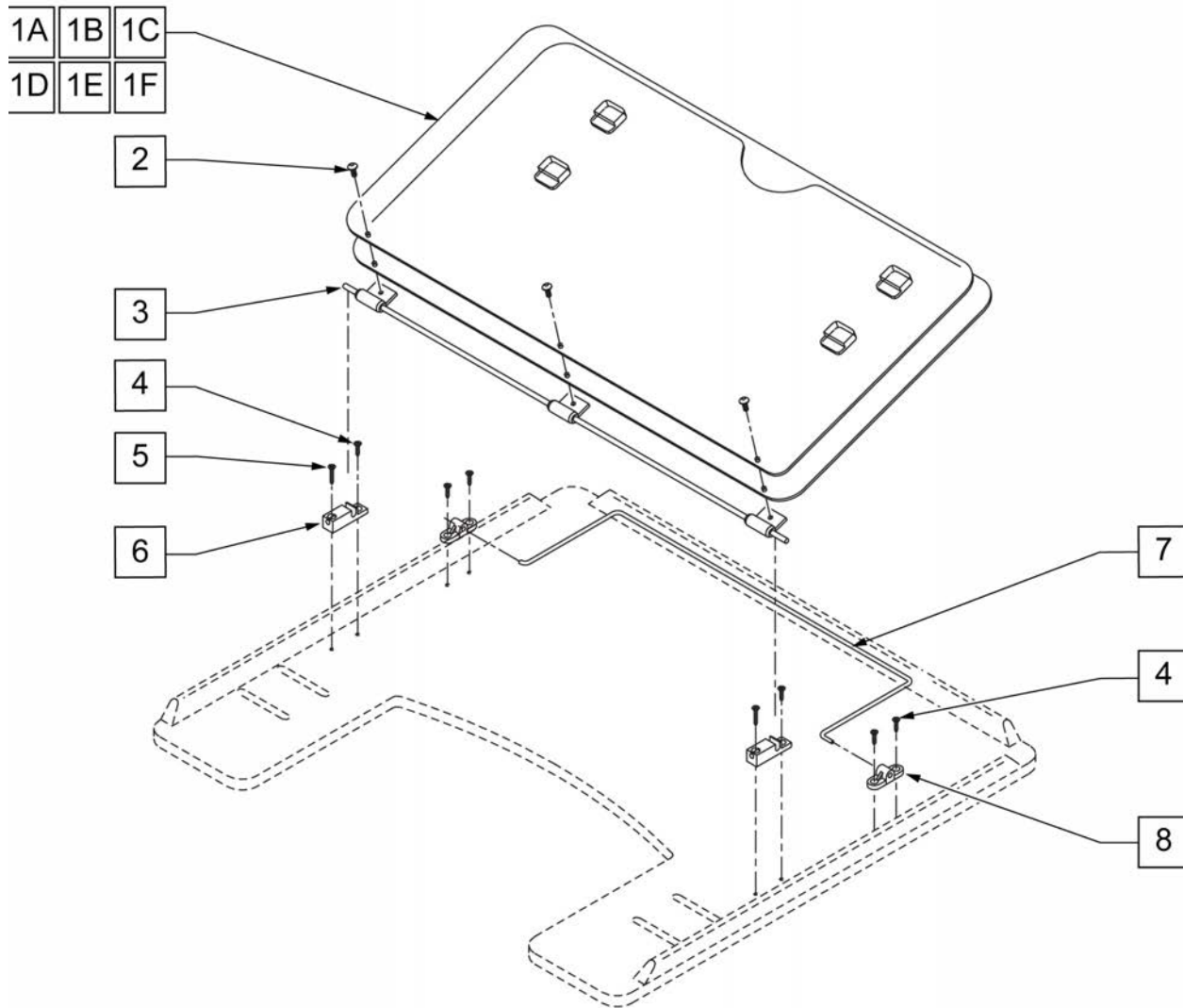
Pos.	Item Number	Description	Remarks
1-3	9PS	PADDED STOMACH CUT OUT	(SPECIFY COLOR)



Pos.	Item Number	Description	Remarks
1	450752	HEADREST ADJUSTMENT BAR	
2	450751	HEADREST PAD BUSHING	
3	2702	#10 SAE FLAT WASHER	
4	106932	1/4 -20 NYLOCK NUT HIGH	
5A	15022	4X6 RECTANGULAR PAD	
5B	15013	5 x 7 OVAL PAD	
5C	755020	4 x 5 OVAL PAD	
5D	15018	4 x 6 OVAL PAD	
6	450750	HEADREST PAD BRACKET	
7	221105-QU	1/4-20 x 3/4" HEX C/S	
8	2270	5/16-18 x 1/4" SOC SET SCREW	
1-4,5A,6-8	14980A	TRAY PROTRACTION ASSM-4X6 RECT	PAIR
1-4,5B,6-8	14980B	TRAY PROTRACTION ASSM-5X7 OVAL	PAIR
1-4,5C,6-8	14980D	TRAY PROTRACTION ASSM-4X5 OVAL	PAIR
1-4,5D,6-8	14980E	TRAY PROTRACTION ASSM-4X6 OVAL	PAIR

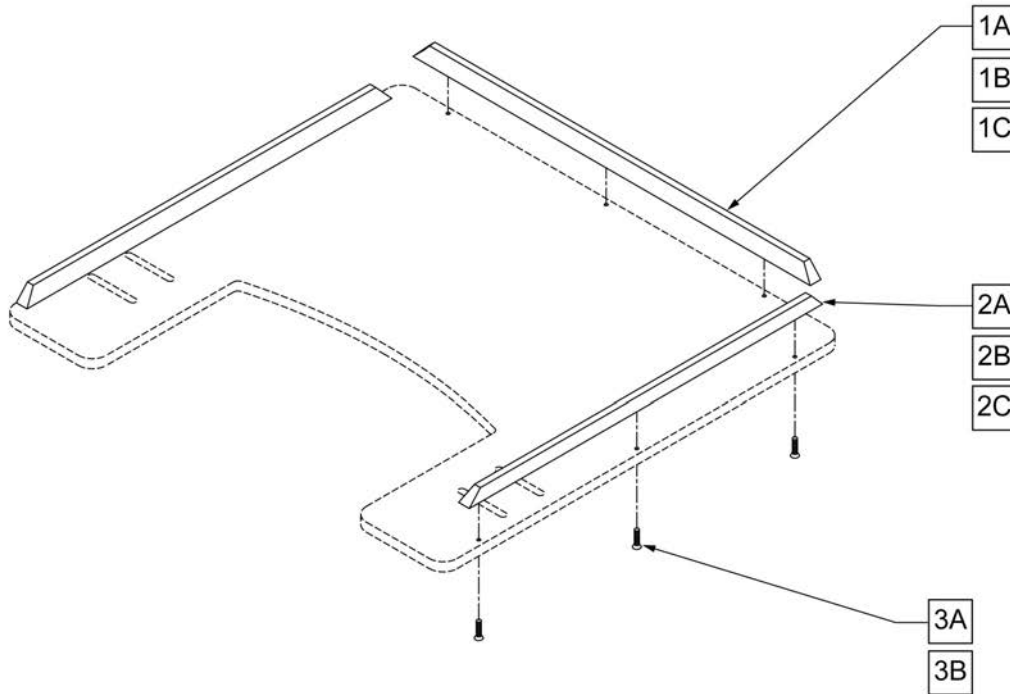


Pos.	Item Number	Description
1A,2	17916	9-1 STYLE 3 OVERLAY ONLY
1B,2	17917	9-2 STYLE 3 OVERLAY ONLY
1C,2	17918	9-5 STYLE 3 OVERLAY ONLY
1D,2	17939	9-6 STYLE 3 OVERLAY ONLY
2	226017	10-32 x 3/8 BH C/S BLK
3A	17922	9-1 HINGED OVERLAY PIVOT BAR
3B	17923	9-2 HINGED OVERLAY PIVOT BAR
3C	17924	9-5 HINGED OVERLAY PIVOT BAR
3D	17929	9-6 HINGED OVERLAY PIVOT BAR
4	2266	#6 x 1/2" FL DH PHL SCREW
5	4061	TRAY OVERLAY MOUNTING BRACKET
6A	17925	TRAY OVERLAY ROD
6B	17926	9-2 OVERLAY ROD
6C	17927	9-5 OVERLAY ROD
6D	17928	9-6 TRAY OVERLAY ROD
1A-6A	17919	9-1 STYLE 3 OVERLAY ASSM
1B-6B	17920	9-2 STYLE 3 OVERLAY ASSM
1C-6C	17921	9-5 STYLE 3 OVERLAY ASSM
1D-6D	17902	9-6 STYLE 3 OVERLAY ASSY



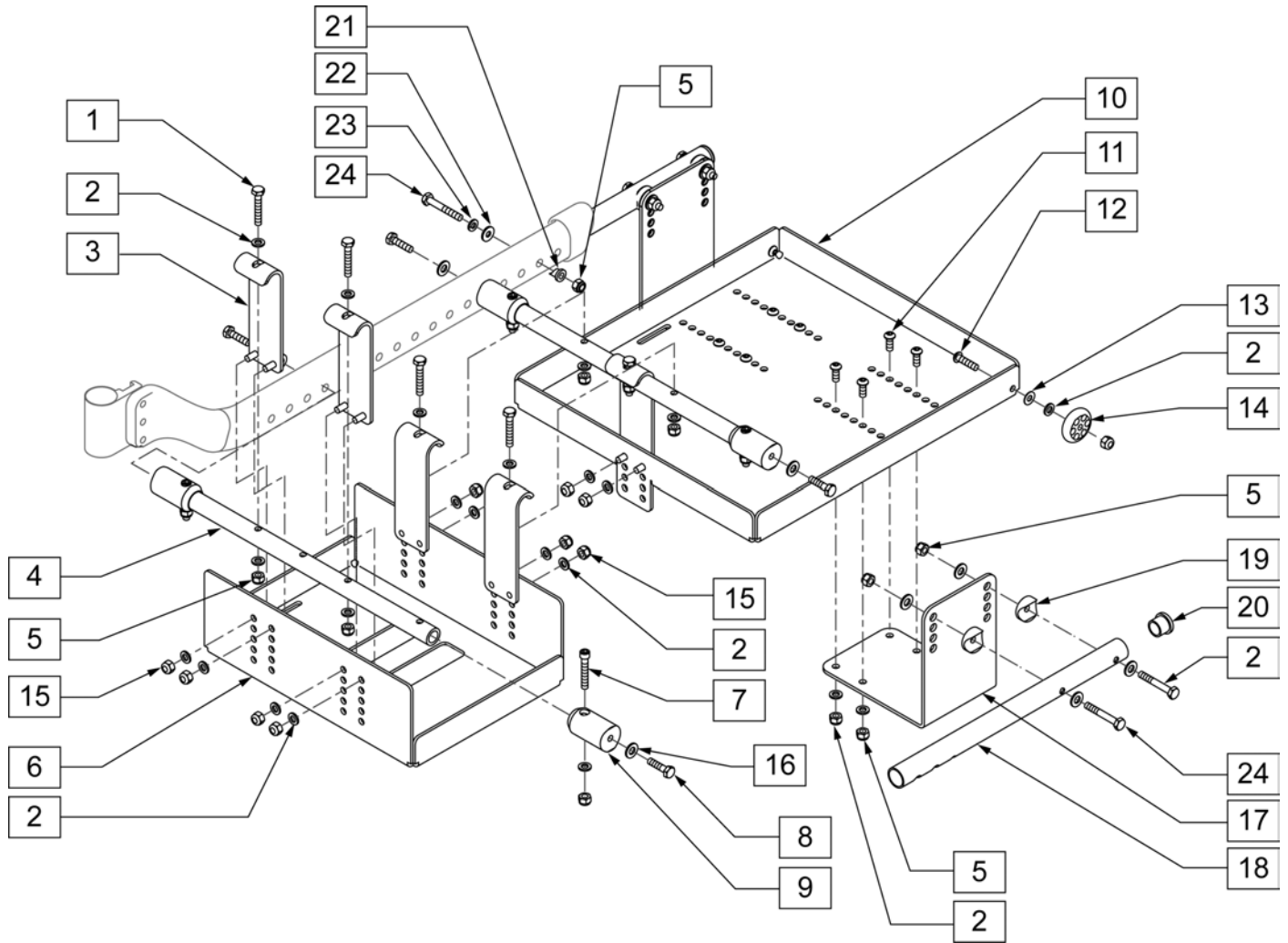
Pos.	Item Number	Description	Pos.	Item Number	Description
1A	17935	9-1 STYLE 2 OVERLAY	3D	17929	9-6 HINGED OVERLAY PIVOT BAR
1B	17936	9-2 STYLE 2 OVERLAY	4	2266	#6 x 1/2" FL DH PHL SCREW
1C	17937	9-5 STYLE 2 OVERLAY	5	230047	#6 x 3/4" FH PHIL S/M SCREW
1D	17938	9-6 STYLE 2 OVERLAY	6	14232	TRAY OVERLAY - QUICK RELEASE
1E	17930	STYLE #1 LEARNING BOARD	7A	17925	TRAY OVERLAY ROD
1F	17931	STYLE #1 FULL LEARNING BOARD	7B	17926	9-2 OVERLAY ROD
1A,2	17916	9-1 STYLE 3 OVERLAY ONLY	7C	17927	9-5 OVERLAY ROD
1B,2	17917	9-2 STYLE 3 OVERLAY ONLY	7D	17928	9-6 TRAY OVERLAY ROD
1C,2	17918	9-5 STYLE 3 OVERLAY ONLY	8	4061	TRAY OVERLAY MOUNTING BRACKET
1D,2	17939	9-6 STYLE 3 OVERLAY ONLY	1-8	17903	9-1 STYLE 3A OVERLAY ASSEMBLY
2	226017	10-32 x 3/8 BH C/S BLK	1-8	17904	9-2 STYLE 3A OVERLAY ASSEMBLY
3A	17922	9-1 HINGED OVERLAY PIVOT BAR	1-8	17905	9-5 STYLE 3A OVERLAY ASSEMBLY
3B	17923	9-2 HINGED OVERLAY PIVOT BAR	1-8	17906	9-6 STYLE 3A OVERLAY ASSEMBLY
3C	17924	9-5 HINGED OVERLAY PIVOT BAR			

NOTE: ONE 19" RIB AND TWO 15 1/2" RIBS FIT THE EXTRA-SMALL, SMALL, 9-0 AND 9-1 TRAY TABLES. ONE 21" RIB AND TWO 19" RIBS FIT THE MEDIUM AND 9-2 TRAY TABLES. ONE 23 1/2" RIB AND TWO 21" RIBS FIT THE LARGE, 9-2, 9-5, AND 9-6 TRAY TABLES.



Pos.	Item Number	Description	Pos.	Item Number	Description
1A	9004	19" WOOD TRAY RIBS	2A	9004	19" WOOD TRAY RIBS
1A	9005	21" WOOD TRAY RIBS	2A	9005	21" WOOD TRAY RIBS
1A	9006-QU	23 1/2" WOOD TRAY RIBS	2B	9007-QU	15 1/2" HEAVY DUTY RIB FOR WOOD TRAY
1B	9010	19" HEAVY DUTY RIB FOR WOOD TRAY	2B	9010	19" HEAVY DUTY RIB FOR WOOD TRAY
1B	9013	21" HEAVY DUTY RIB FOR WOOD TRAY	2B	9013	21" HEAVY DUTY RIB FOR WOOD TRAY
1B	9016	23 1/2" HEAVY DUTY RIB FOR WOOD TRAY	2C	9008-QU	15 1/2" HEAVY DUTY RIB FOR 3/8" TUFFAK
1C	9011-QU	19" HEAVY DUTY RIB FOR 3/8" TUFFAK	2C	9011-QU	19" HEAVY DUTY RIB FOR 3/8" TUFFAK
1C	9014	21" HEAVY DUTY RIB FOR 3/8" TUFFAK	2C	9014	21" HEAVY DUTY RIB FOR 3/8" TUFFAK
1C	9017	23 1/2" HEAVY DUTY RIB FOR 3/8" TUFFAK	3A	2268	#6 x 5/8" OVAL PHILLIPS SCREW
2A	9003	15 1/2" WOOD TRAY RIBS	3B	230047	#6 x 3/4" FH PHIL S/M SCREW

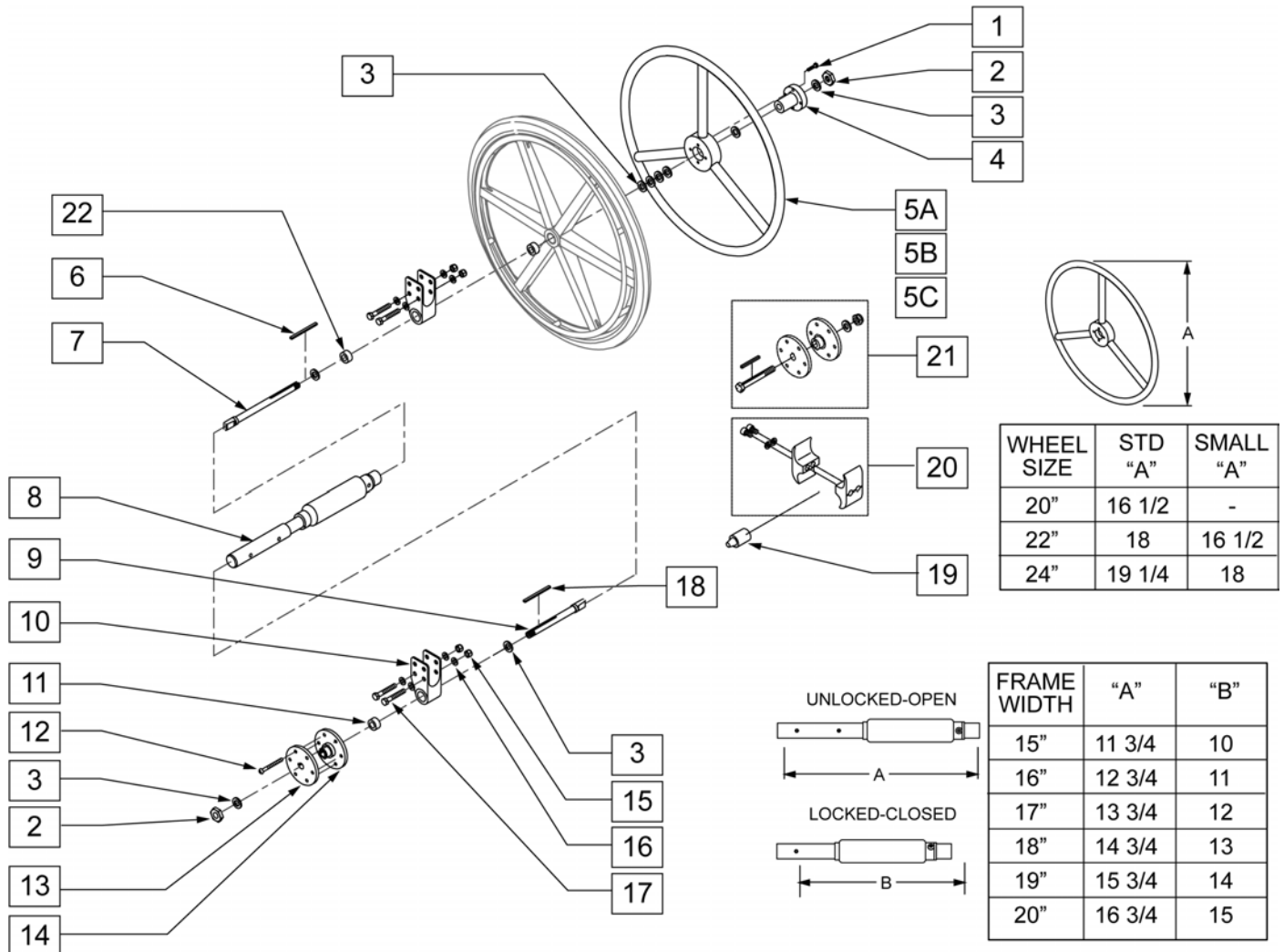
NOTE: FITS CHAIRS W/ SERIAL NUMBER PREFIX CGT ONLY.



Pos.	Item Number	Description	Pos.	Item Number	Description
1	106972	1/4 -28 x 1 1/2 G8 HEX C/S	10	505823	VENTILATOR TRAY
2	106943	1/4" AN WASHER FLAT	11	106959	1/4 -28 x 5/8 BH C/S
3	505969	HOOK BATTERY TRAY	12	227110	1/4 -28 x 1 BH C/S BLK ZN
4	522923	TUBE STRUT VENT & BATTERY TRAY 16"	13	262130	6MM WASHER WAVE
4	522924	TUBE STRUT VENT & BATTERY TRAY 17"	14	561032	ANTI-TIP WHEEL
4	522925	TUBE STRUT VENT & BATTERY TRAY 18"	15	106932	1/4 -20 NYLOCK NUT
4	522926	TUBE STRUT VENT & BATTERY TRAY 19"	16	263100	5/16" AN WASHER FLAT
4	522927	TUBE STRUT VENT & BATTERY TRAY 20"	17	505954	BRACKET MOUNTING VENT TRAY
4	522928	TUBE STRUT VENT & BATTERY TRAY 21"	18	523405	TUBE EXTENSION V & BT
4	522929	TUBE STRUT VENT & BATTERY TRAY 22"	19	561055	3/4" SADDLE 1" OD
5	106934	1/4 -28 NYLOCK NUT	20	560735	7/8" ROUND TUBE PLUG
6	540359	BATTERY TRAY GRIP 24	21	483322	SPACER CLAMP V & BT
7	226114	1/4 -28 x 1 1/2 SOC C/S BLK	22	106945	1/4" SAE WASHER
8	222118	5/16 -24 x 1 3/4 HEX C/S G8	23	262122	1/4" WASHER LOCK ZN
9	483194	MOUNT STRUT VENT & BATTERY TRAY	24	107015	1/4 -28 x 1 3/4 G8 HEX C/S

Pos.	Item Number	Description	Pos.	Item Number	Description
1-24	920892	VENT BATTERY TRAY ASSM 16" WIDE	1-24	920896	VENT BATTERY TRAY ASSM 20" WIDE
1-24	920893	VENT BATTERY TRAY ASSM 17" WIDE	1-24	920897	VENT BATTERY TRAY ASSM 21" WIDE
1-24	920894	VENT BATTERY TRAY ASSM 18" WIDE	1-24	920898	VENT BATTERY TRAY ASSM 22" WIDE
1-24	920895	VENT BATTERY TRAY ASSM 19" WIDE			

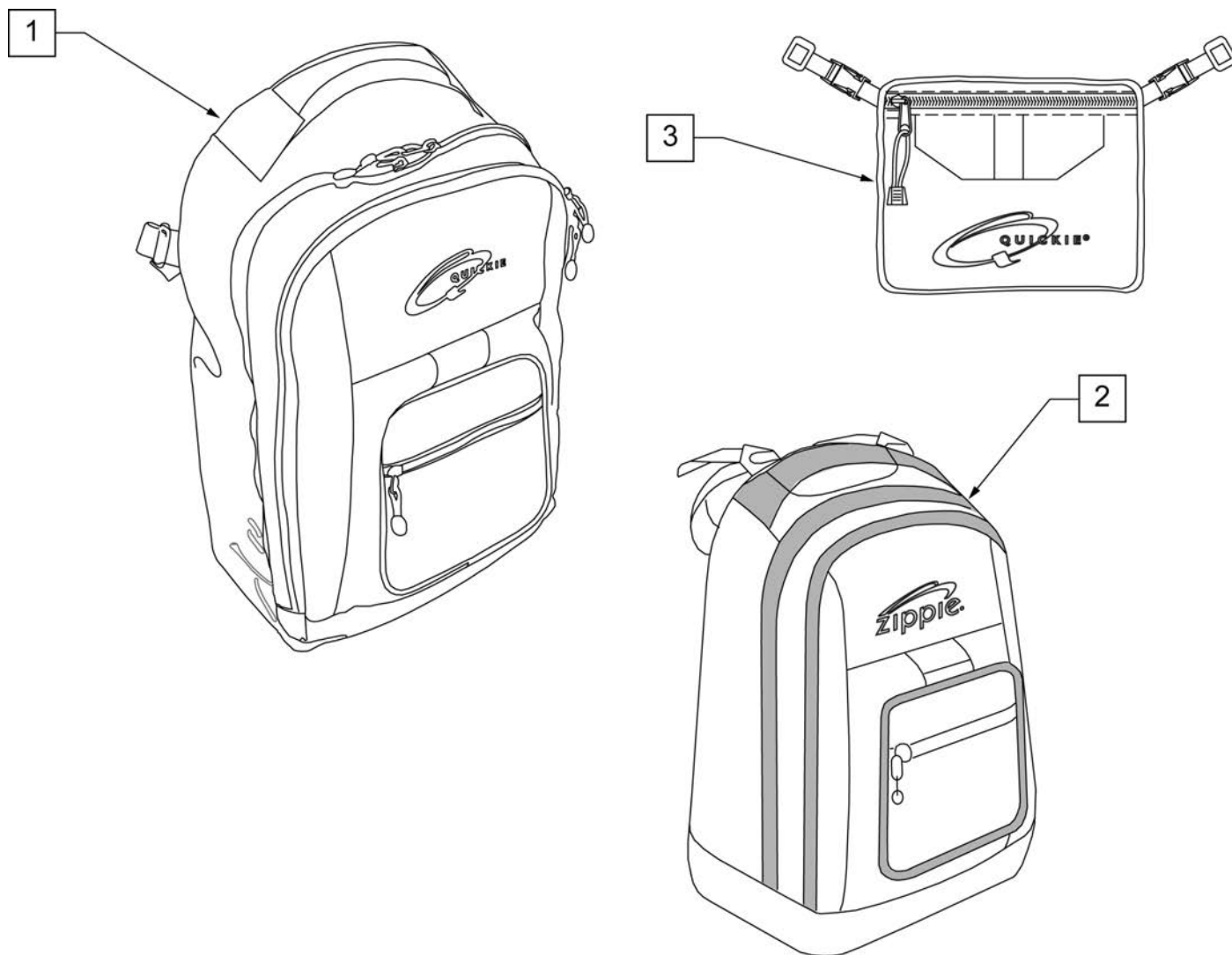
NOTE: FITS CHAIRS W/ SERIAL NUMBER PREFIX CGT ONLY.



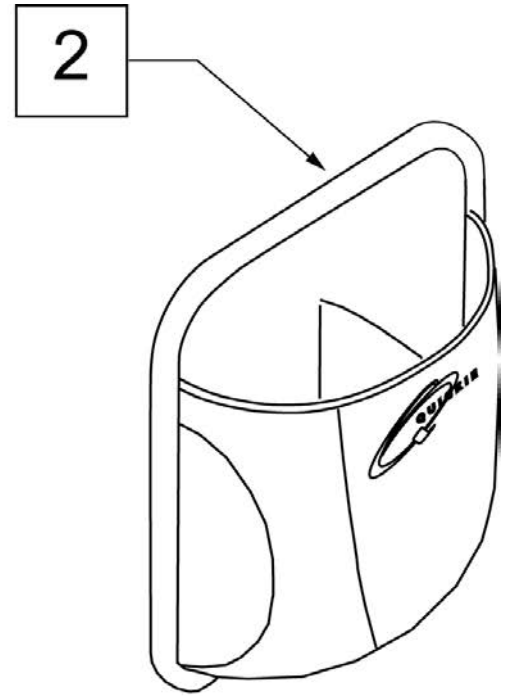
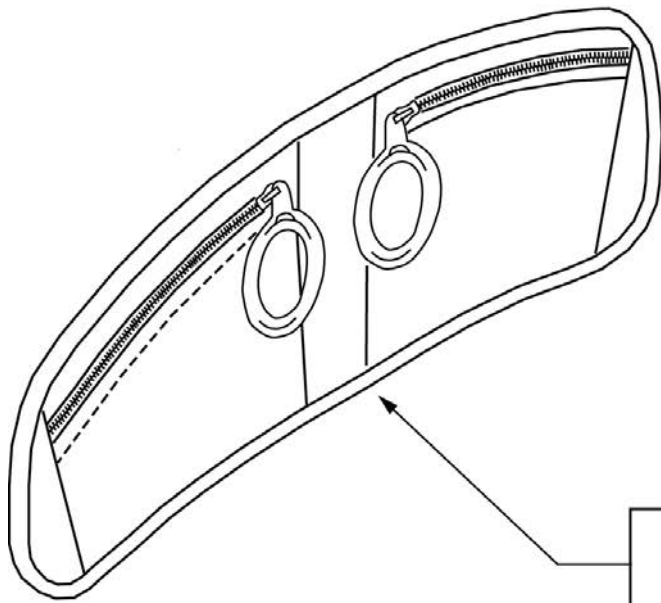
Pos.	Item Number	Description
1	226015	10-32 x 3/4 SOC C/S BLK
2	106940	1/2 -20 NYLOCK NUT
3	106949	1/2 AN WASHER FLAT
4	106691	HAND RING HUB
5A	529801	1 AD HR ONLY 20 STANDARD/ 22 SMALL
5B	529800	1 AD HR ONLY 22 STANDARD/ 24 SMALL
5C	529802	1 AD HR ONLY 24 STANDARD
6	341274	3/16 SQ x 1 1/2 KEY STL
7	481670	1 AD HANDRIM DRIVE SHAFT
8	101097-003	1 AD SHAFT ASSM 14"
8	101097-004	1 AD SHAFT ASSM 15"
8	101097-005	1 AD SHAFT ASSM 16"
8	101097-006	1 AD SHAFT ASSM 17"

Pos.	Item Number	Description
8	101097-007	1 AD SHAFT ASSM 18"
8	101097-008	1 AD SHAFT ASSM 19"
8	101097-009	1 AD SHAFT ASSM 20"
9	481671	1 AD WHEEL DRIVE SHAFT CGTS
11	483320	WHEEL SPACER CGTS
12	226166	1/4 -28 x 2 1/2 BH C/S BLK
13	500630	1 AD WHEEL HUB W/O TAP
14	500631	WHEEL HUB 1 ARM DRIVE W/ TAP
15	106938	5/16 -24 NYLOCK NUT
16	263100	5/16 AN WASHER FLAT
17	226299	5/16-24 x 2 1/4 G8 HEX C/S
18	341277	3/16 SQ x 2-3/8 KEY
19	482030	1 AD DRIVE RECIEVER
20	800594	WHEEL LOCK 1 AD CLAMP ASSM BLK
21	330015	1 AD ALIGNMENT TOOL ASSM
22	349500	1 1/8 x 1/2 BEARING
10,22	880884	1 AD AXLE BLOCK W/ BEARINGS IRIS
2, 3, 6, 7, 9-18, 22	881069	1 AD HARDWARE KIT IRIS
1-22	923862	1 AD RETRO 14" (20 STANDARD/ 22 SMALL HAND RIM)
1-22	923863	1 AD RETRO 15" (20 STANDARD/ 22 SMALL HAND RIM)
1-22	923864	1 AD RETRO 16" (20 STANDARD/ 22 SMALL HAND RIM)
1-22	923865	1 AD RETRO 17" (20 STANDARD/ 22 SMALL HAND RIM)
1-22	923866	1 AD RETRO 18" (20 STANDARD/ 22 SMALL HANDRIM)
1-22	923867	1 AD RETRO 19" (20 STANDARD/ 22 SMALL HAND RIM)
1-22	923868	1 AD RETRO 20" (20 STANDARD/ 22 SMALL HAND RIM)
1-4, 5B, 6-22	923869	1 AD RETRO 14" (22 STANDARD/ 24 SMALL HAND RIM)
1-4, 5B, 6-22	923870	1 AD RETRO 15" (22 STANDARD/ 24 SMALL HAND RIM)
1-4, 5B, 6-22	923871	1 AD RETRO 16" (22 STANDARD/ 24 SMALL HAND RIM)
1-4, 5B, 6-22	923872	1 AD RETRO 17" (22 STANDARD/ 24 SMALL HAND RIM)
1-4, 5B, 6-22	923873	1 AD RETRO 18" (22 STANDARD/ 24 SMALL HAND RIM)
1-4, 5B, 6-22	923874	1 AD RETRO 19" (22 STANDARD/ 24 SMALL HAND RIM)
1-4, 5B, 6-22	923875	1 AD RETRO 20" (22 STANDARD/ 24 SMALL HAND RIM)
1-4, 5C, 6-22	923876	1 AD RETRO 14" (20 STANDARD HAND RIM)
1-4, 5C, 6-22	923877	1 AD RETRO 15" (20 STANDARD HAND RIM)
1-4, 5C, 6-22	923878	1 AD RETRO 16" (20 STANDARD HAND RIM)
1-4, 5C, 6-22	923879	1 AD RETRO 17" (20 STANDARD HAND RIM)
1-4, 5C, 6-22	923880	1 AD RETRO 18" (20 STANDARD HAND RIM)
1-4, 5C, 6-22	923881	1 AD RETRO 19" (20 STANDARD HAND RIM)
1-4, 5C, 6-22	923882	1 AD RETRO 20" (20 STANDARD HAND RIM)

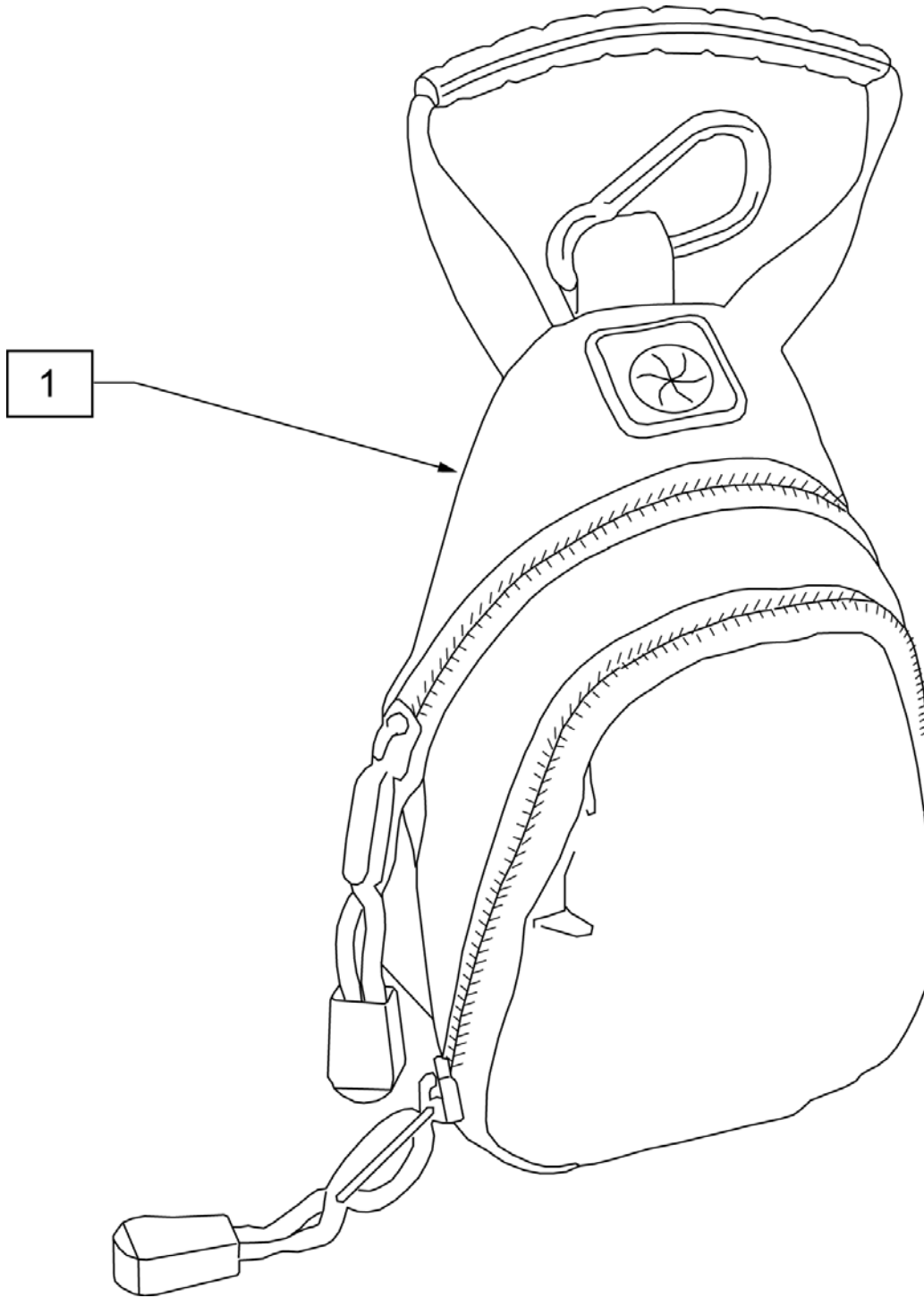
NOTE: KIDS BACKPACKS DO NOT HAVE ADJUSTABLE STRAPS W/ BUCKLES.



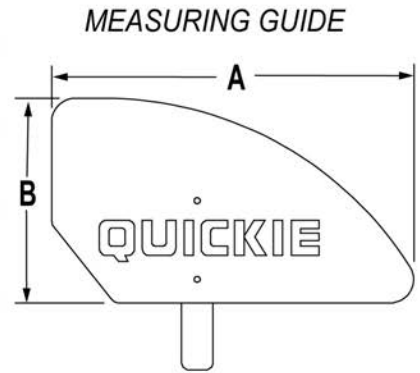
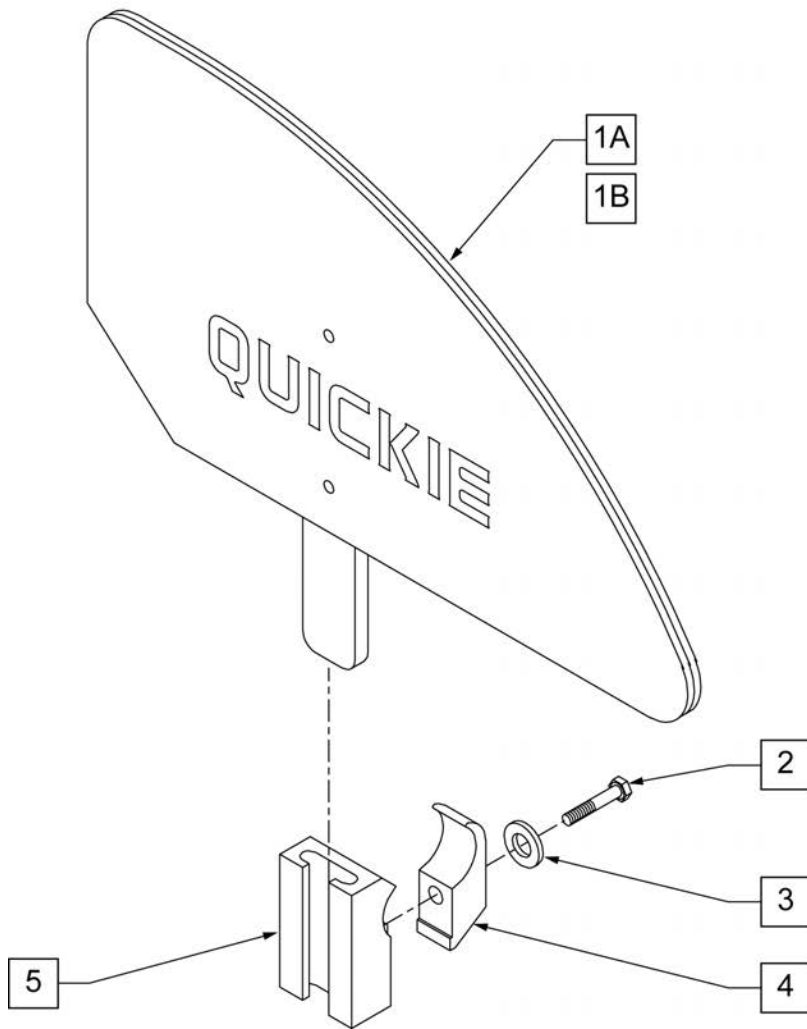
Pos.	Item Number	Description
1	750115	BACK PACK QUICKIE
2	104572	BACKPACK ZIPPIE
3	750307	SEAT POUCH QUICKIE



Pos.	Item Number	Description	Remarks
1	013477	LAP ORGANIZER	Size: 18.25"x 7.75"x .75"
2	013475	QUICKIE SIDE POCKET	Size: 6.5"x 6.5"x 2"



Pos.	Item Number	Description
1	109229	CELL PHONE PACK (ORANGE)

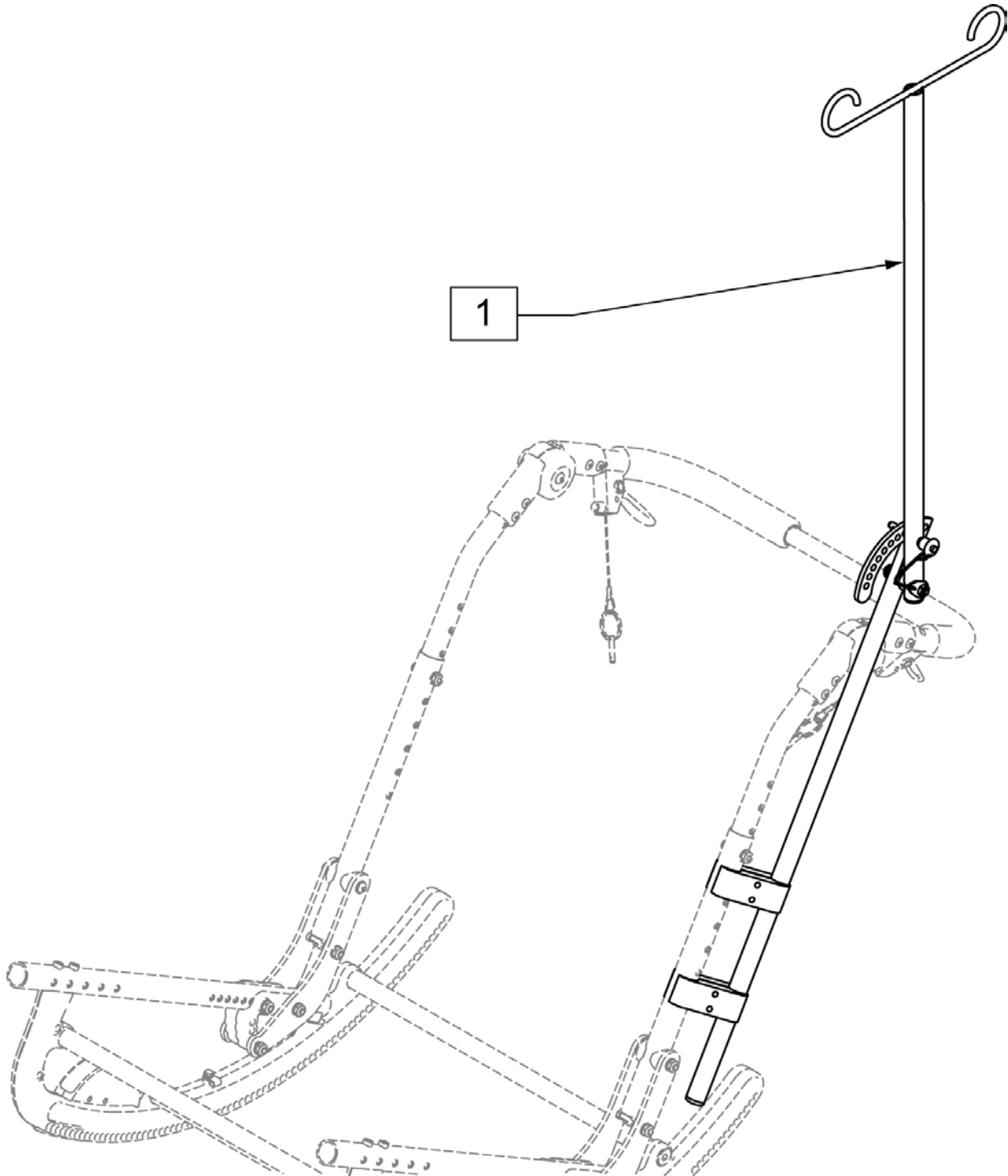


	"A"	"B"
ADULT	12 3/4"	8 5/8"
KIDS	11 1/2"	6 1/2"

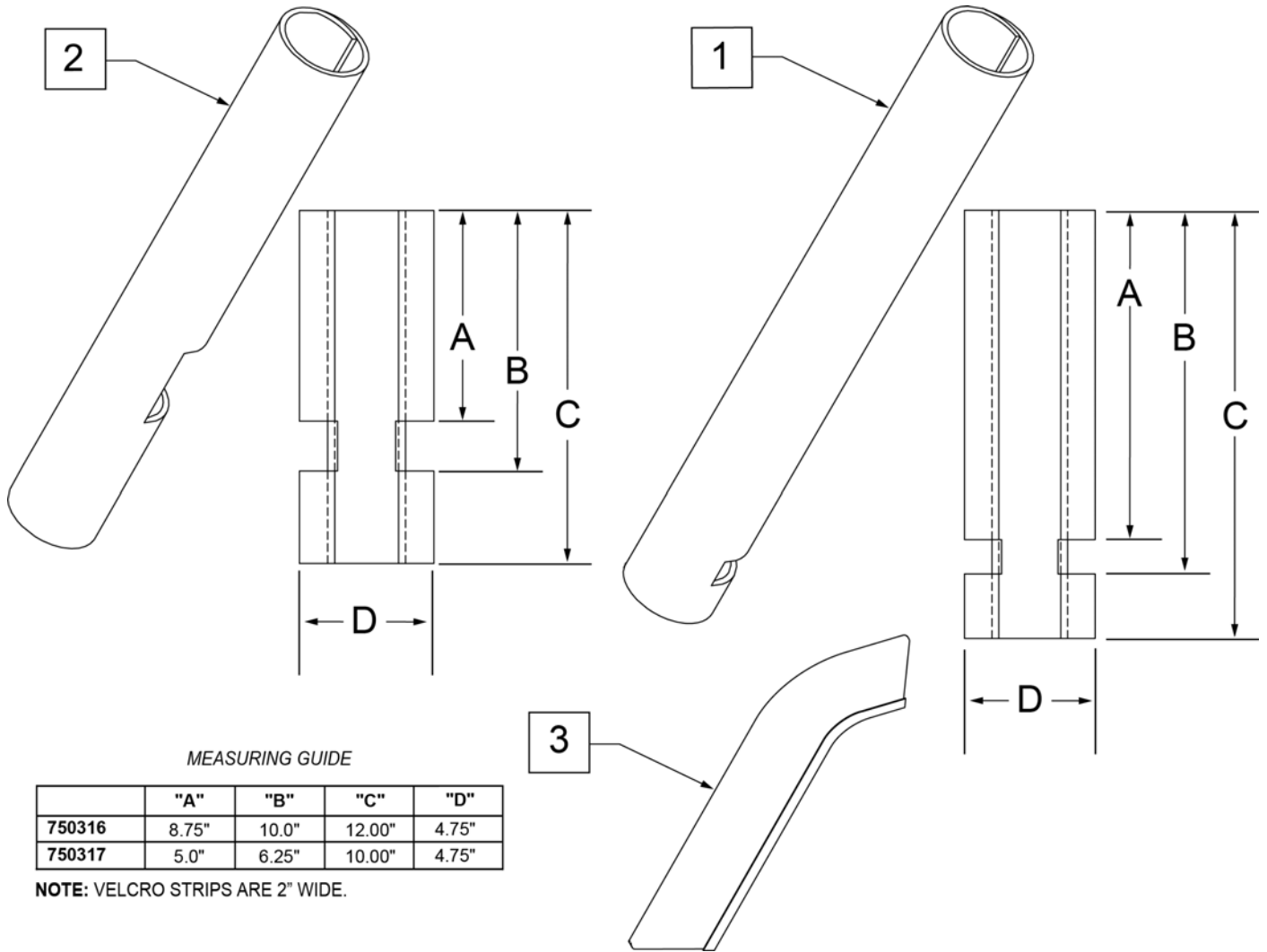
NOTE: STANDARD (ADULT) SIDE GUARD FITS 14-20" DEPTHS, KIDS SIDE GUARD FITS 10-13" DEPTHS.

Pos.	Item Number	Description
1A	881150	PLASTIC SIDE GUARD KIDS R
1A	881151	PLASTIC SIDE GUARD KIDS L
1B	881152	PLASTIC SIDE GUARD STD R
1B	881153	PLASTIC SIDE GUARD STD L
2	106971	1/4-28 x 1 3/8 HEX C/S
3	106944	1/4 AN WASHER FLAT THIN
4	550251	CLAMP P300 CHARGING/ADJ FL KIDS
5	550325	SIDE GUARD/KIDZ ARM RECEIVER
2-5	881200	SIDE GUARD/KIDZ ARM RECEIVER W/CLAMP
1A,2-5	901111	PLASTIC SIDE GUARD KIDS ASSM W/CLAMP
1B,2-5	901110	PLASTIC SIDE GUARD STD ASSM W/CLAMP

NOTE: THE ANGLE ADJUSTABLE IV POLE IS NOT COMPATIBLE WITH THE TRANSIT OPTION.

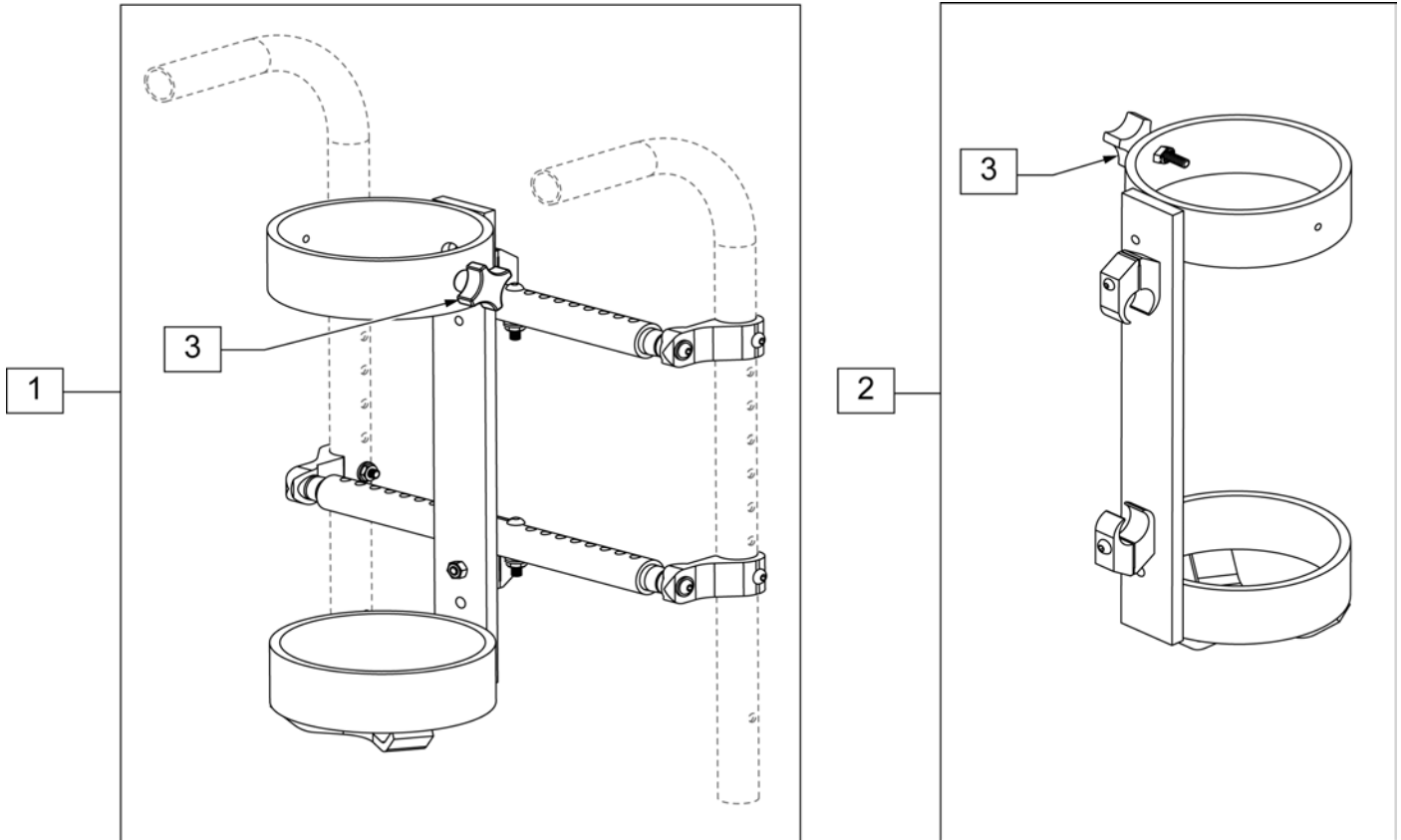


Pos.	Item Number	Description
1	884140	ANGLE ADJUSTABLE IV POLE

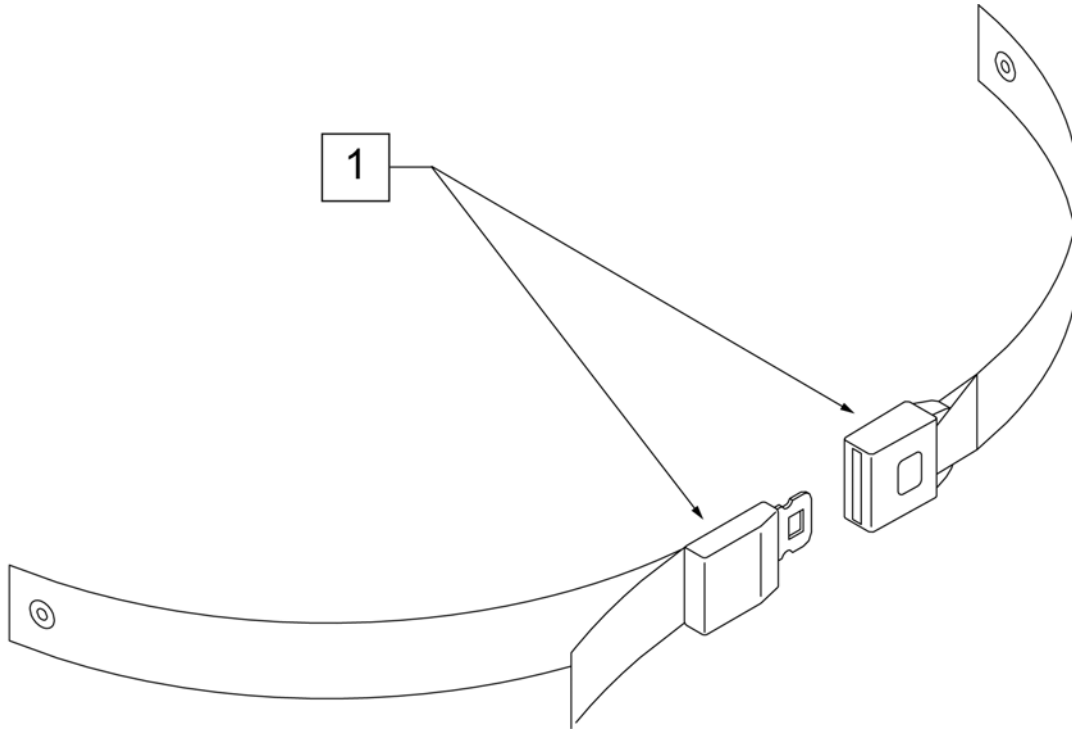


Pos.	Item Number	Description	Remarks
1	750316	IMPACT GUARDS NEOPRENE FIXED (PR)	PAIR-Fixed Front Frame
2	750317	IMPACT GUARDS NEOPRENE S/A	PAIR-S/A Footrest & Q7
3	109231	GEL VELCRO PAD HANGER/FRAME	PAIR- fits S/A & Fixed Front Frame

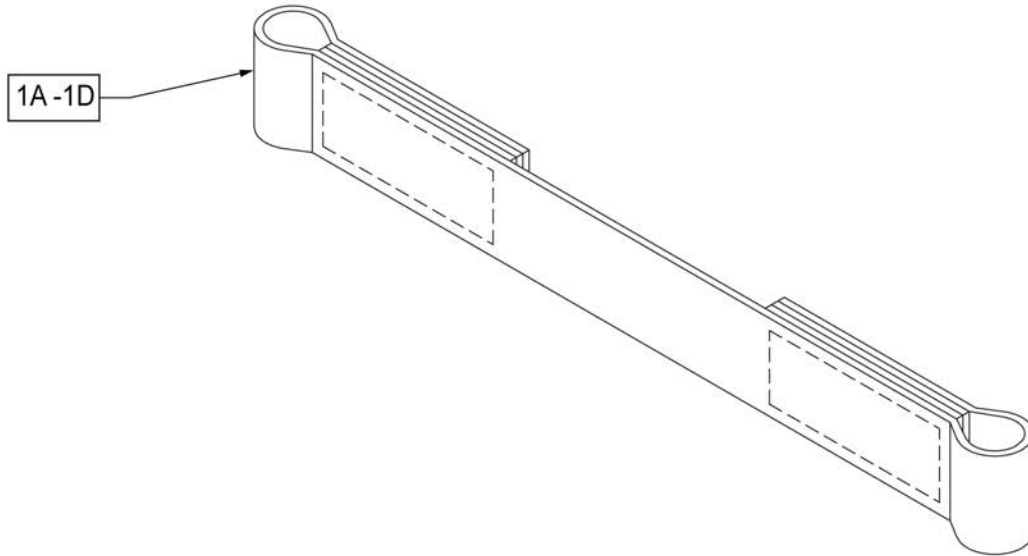
NOTE: AVAILABLE WITH STANDARD BACKREST ONLY AND WILL NOT BE COMPATIBLE WITH CHAIRS THAT ARE EQUIPPED WITH S/A HEIGHT ADJ STROLLER HANDLES, TRANSIT OPTION, JAY 3 BACK OR RECLINING BACKREST. ACCOMMODATES SIZE D & E OXYGEN TANKS.



Pos.	Item Number	Description
1	884136	O2 HOLDER W/ BACKREST MOUNT 14" - 22" WIDE
2	884135	O2 HOLDER W/ 1" CLAMPS
3	343080	FOUR-PRONG KNOB STUD 1/4 -20

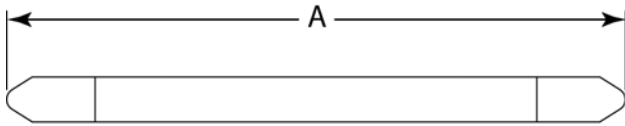


Pos.	Item Number	Description	Remarks
1	750276	1 1/2" POSITION BELT	AUTOSTYLE-64" Max length of belt.

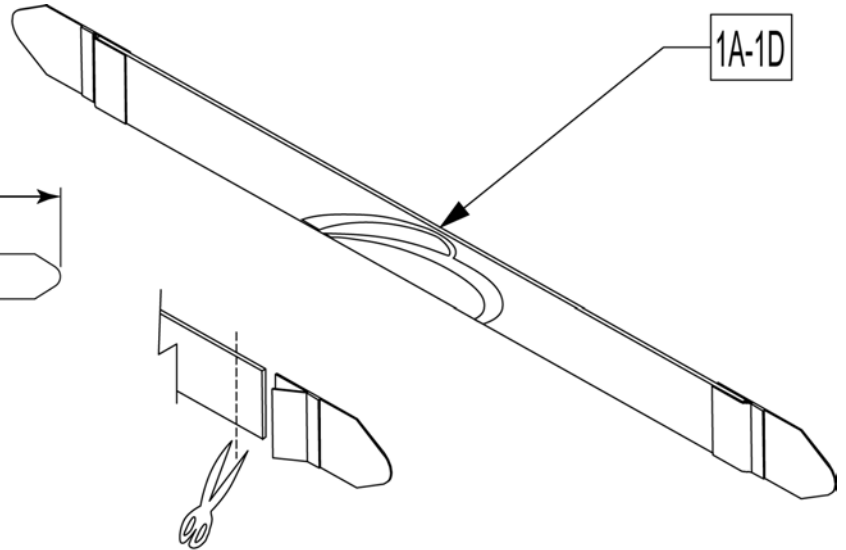


Pos.	Item Number	Description
1A	109356	LEG STRAP SOFT FEEL Q 11 -12"
1B	109357	LEG STRAP SOFT FEEL Q 13 -15"
1C	109366	LEG STRAP SOFT FEEL Q 16 -18"
1D	111487	LEG STRAP SOFT FEEL Q 19 -20"

MEASURING GUIDE

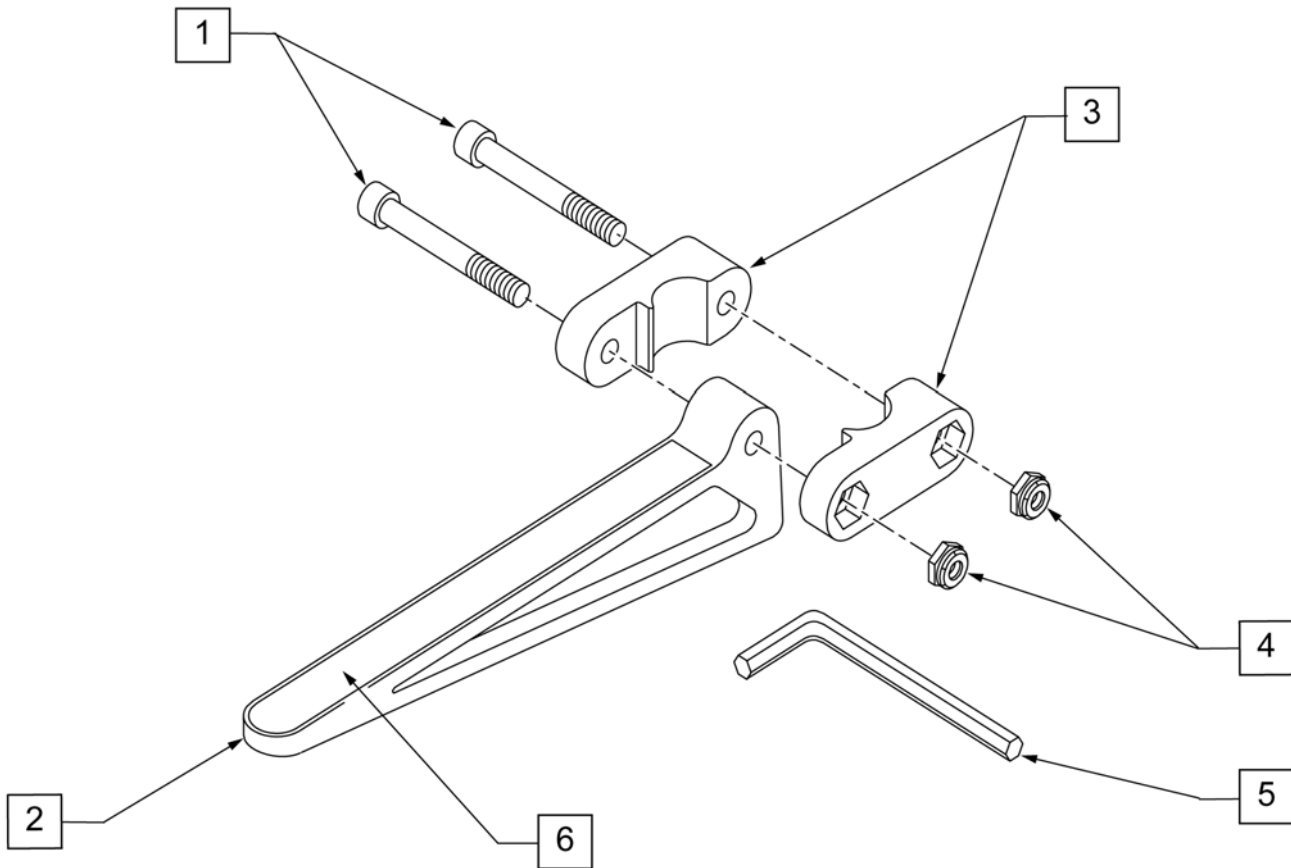


DESCRIPTION	DIM "A"
LEG STRAP 11"-12" BLK	27 1/2
LEG STRAP 13"-15" BLK	32 1/2
LEG STRAP 16"-18" BLK	39 1/2
LEG STRAP 19"-20" BLK	45 1/2

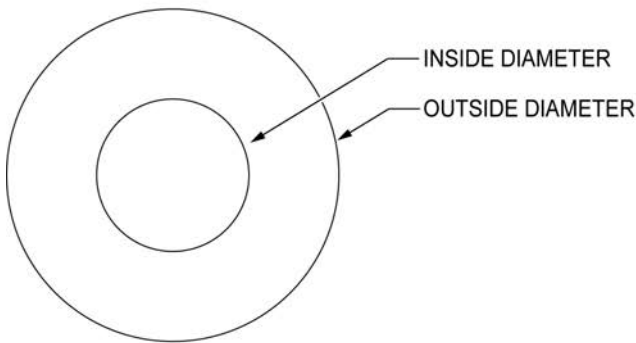
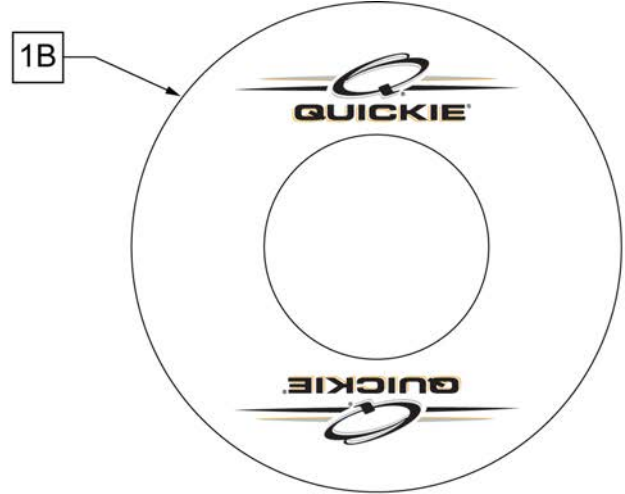
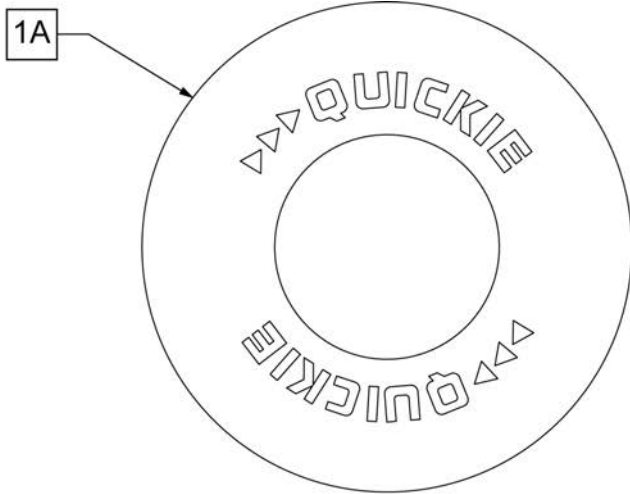


Leg Straps may be custom cut to a smaller size

Pos.	Item Number	Description
1A	113255	LEG STRAP 11"-12" BLK
1B	113256	LEG STRAP 13"-15" BLK
1C	113257	LEG STRAP 16"-18" BLK
1D	113258	LEG STRAP 19"-20" BLK



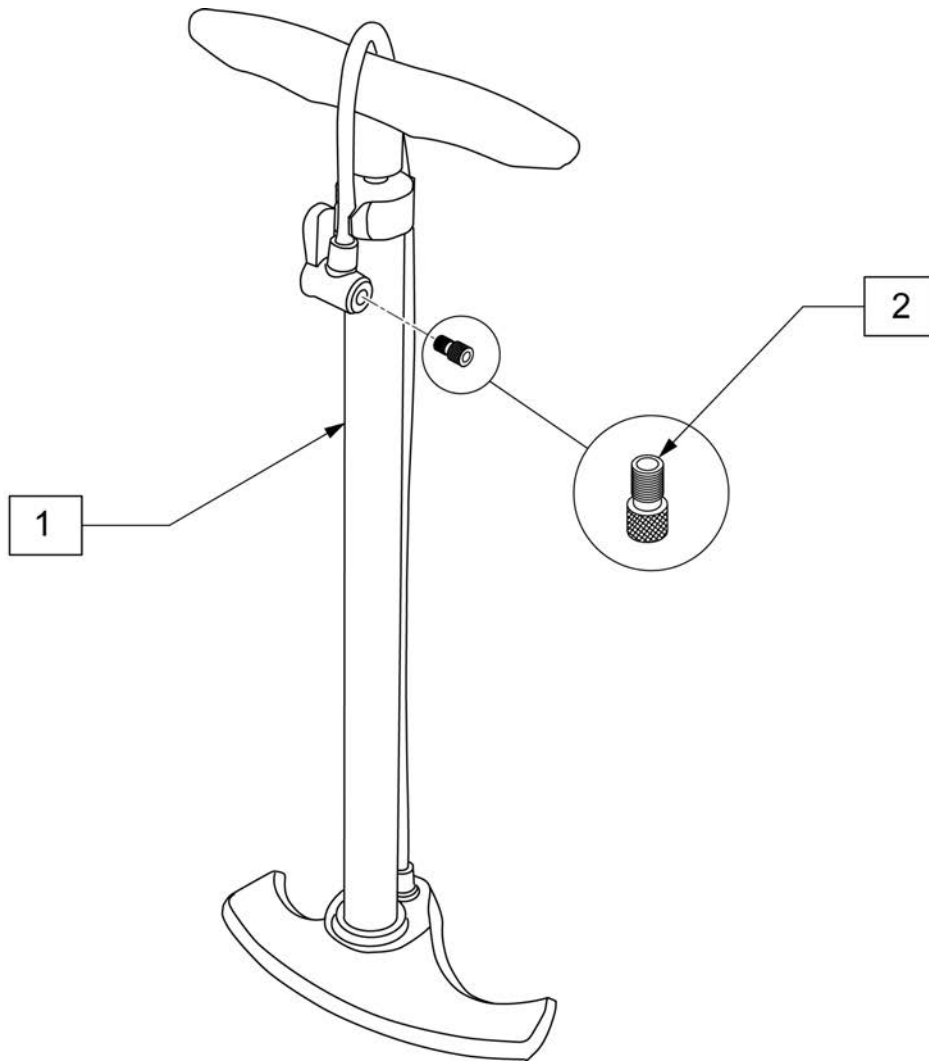
Pos.	Item Number	Description	Remarks
1	226128	1/4-28 x 1 1/4 SOC C/S	
2	561105	CADDY ARM	
3	561104	CADDY CLAMP	
4	106935	NUT NYLOCK THIN 1/4-28 ROHS	
5	349998	3/16" ALLEN WRENCH	
6	580050	CADDY TAPE	
1-6	902350	QUICKIE CADDY (PR)	PAIR



SPOKE GUARD MEASURING GUIDE

PART NUMBER	INSIDE DIAMETER	OUTSIDE DIAMETER
902001	8 1/4	15 7/8
902011	8 1/4	18 1/8
902021	10 1/4	19 5/8
902025	10 1/4	20 3/8
902037	10 1/4	21 7/8
902038	10 1/4	23 3/8
103660-001	8 1/4	16
103660-002	8 1/4	18
103663-001	10 1/4	20 1/2
103663-002	10 1/4	23 1/2
103734-001	10 1/4	19 1/4
103734-002	10 1/4	22
119336	10 1/4	19 1/4

Pos.	Item Number	Description	Remarks
>>>>		BLACK SPOKE GUARDS	
1A	902001	SPK GRDS 20" QUICKIE BLK	Pair-BLACK-FITS 20" WHEELS
1A	902011	SPK GRDS 22" QUICKIE BLK	Pair-BLACK-FITS 22" WHEELS or 24" (540) WHEELS W/ PROJECTION HANDRIMS
1A	902021	SPK GRD 24" QUICKIE SCR MT BLK	Pair-BLACK-FITS 24" (540) MAG & SPOKE WHEELS
1A	902025	SPK GRD 24" QUICKIE TAB MT BLK	Pair-BLACK-FITS 25" (559) SPOKE WHEELS
1A	902037	SPK GRD 26" QUICKIE TAB MT BLK	Pair-BLACK-FITS 26" (590) WHEELS
1A	902038	SPK GRD 26" QUICKIE HT BLK	Pair-BLACK-FITS 27" (700) WHEELS
>>>>		CLEAR SPOKE GUARDS	
1B	103660-001	CLEAR SPOKE GUARD 20"	Pair-CLEAR-FITS 20" WHEELS
1B	103660-002	CLEAR SPOKE GUARD 22"	Pair-CLEAR-FITS 22" WHEELS or 24" (540) WHEELS W/ PROJECTION HANDRIMS
1B	103734-001	SPOKE GUARD 24" CLR	Pair-CLEAR-FITS 24" (540) SPOKE WHEELS
1B	119336	SPOKE GUARD 24" CLR	Pair-CLEAR-FITS 24" (540) MAG WHEELS
1B	103663-001	SPOKE GUARD 24" QP CLR	Pair-CLEAR-FITS 25" (559) WHEELS
1B	103734-002	SPOKE GUARD 26" CLR	Pair-CLEAR-FITS 26" (590) WHEELS
1B	103663-002	SPOKE GUARD 26" QP CLR	Pair-CLEAR-FITS 27"(700) WHEELS



Pos.	Item Number	Description
1	389050	TIRE PUMP
2	381230	VALVE ADAPTER PRESTA